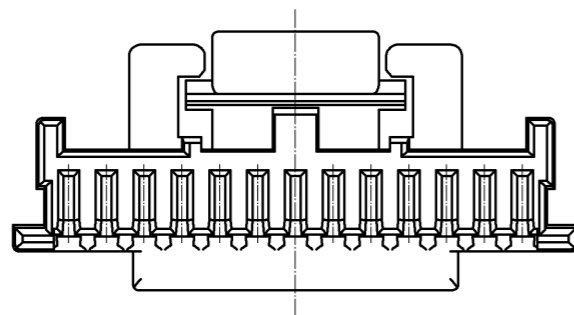
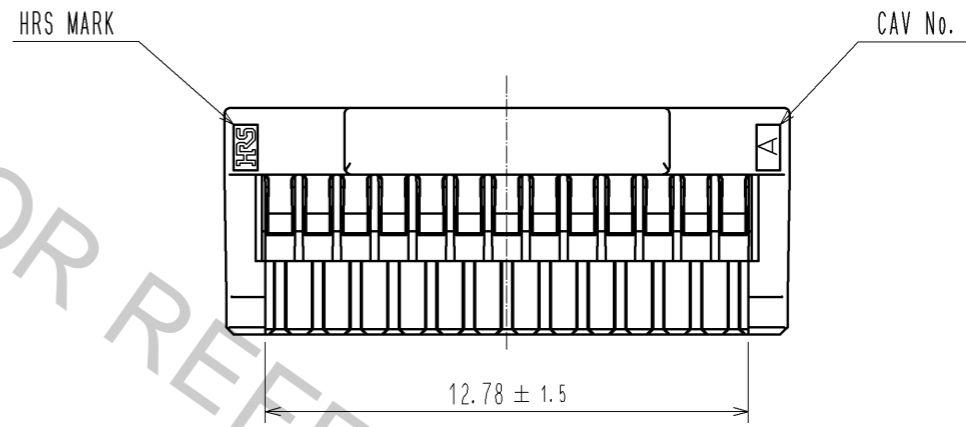
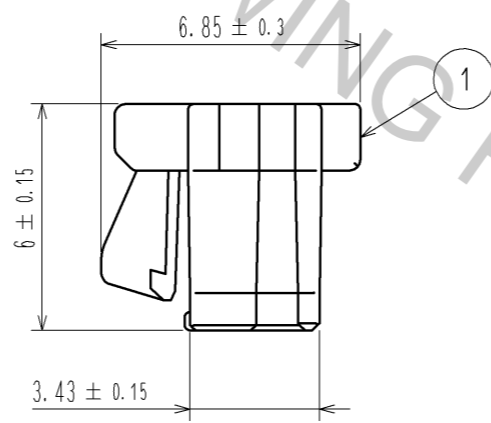
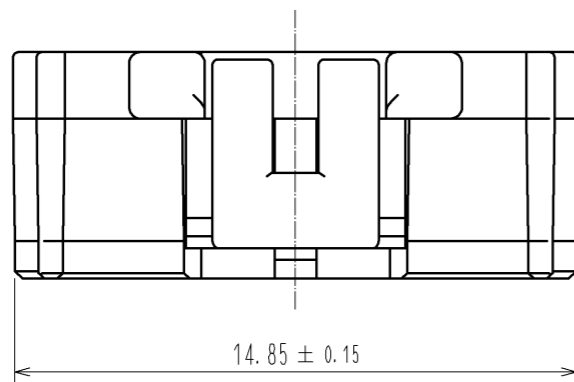
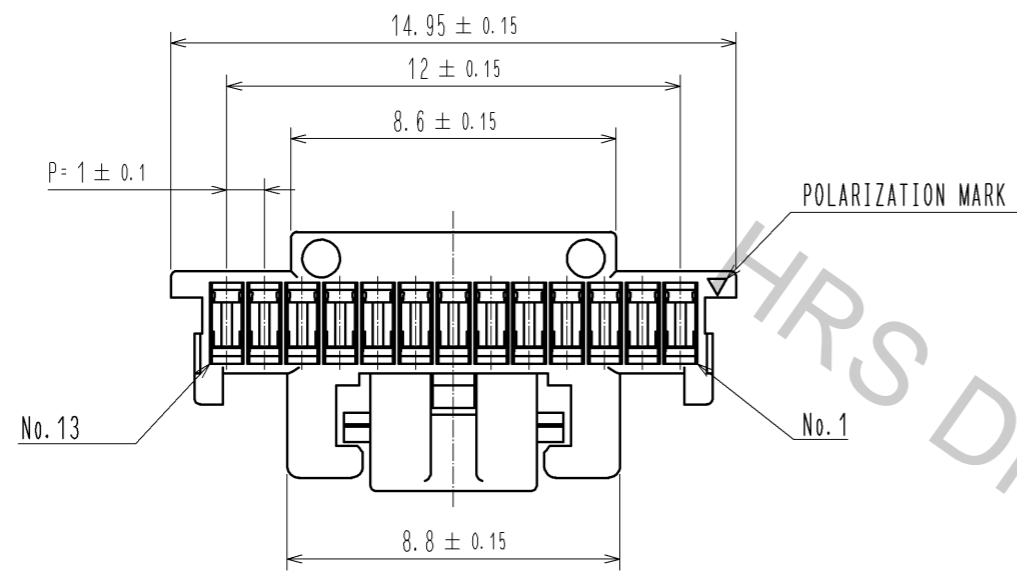


Apr.1.2017 Copyright 2017 HIROSE ELECTRIC CO., LTD. All Rights Reserved.



NOTE1. PER PACK:100 PIECES

NO.		MATERIAL		FINISH . REMARKS		1	PBT	UL94V-0. BLACK		
UNITS mm		SCALE 5 : 1		COUNT		DESCRIPTION OF REVISIONS		DESIGNED	CHECKED	DATE
<b>HIROSE ELECTRIC CO., LTD.</b>		APPROVED : KI. AKIYAMA		13.07.12		DRAWING NO.		EDC3-329678-01		
		CHECKED : HK. UMEHARA		13.07.12		PART NO.		DF50A-13S-1C		
		DESIGNED : ST. SATO		13.07.12		CODE NO.		CL665-1024-9-00		
		DRAWN : ST. SATO		13.07.12						