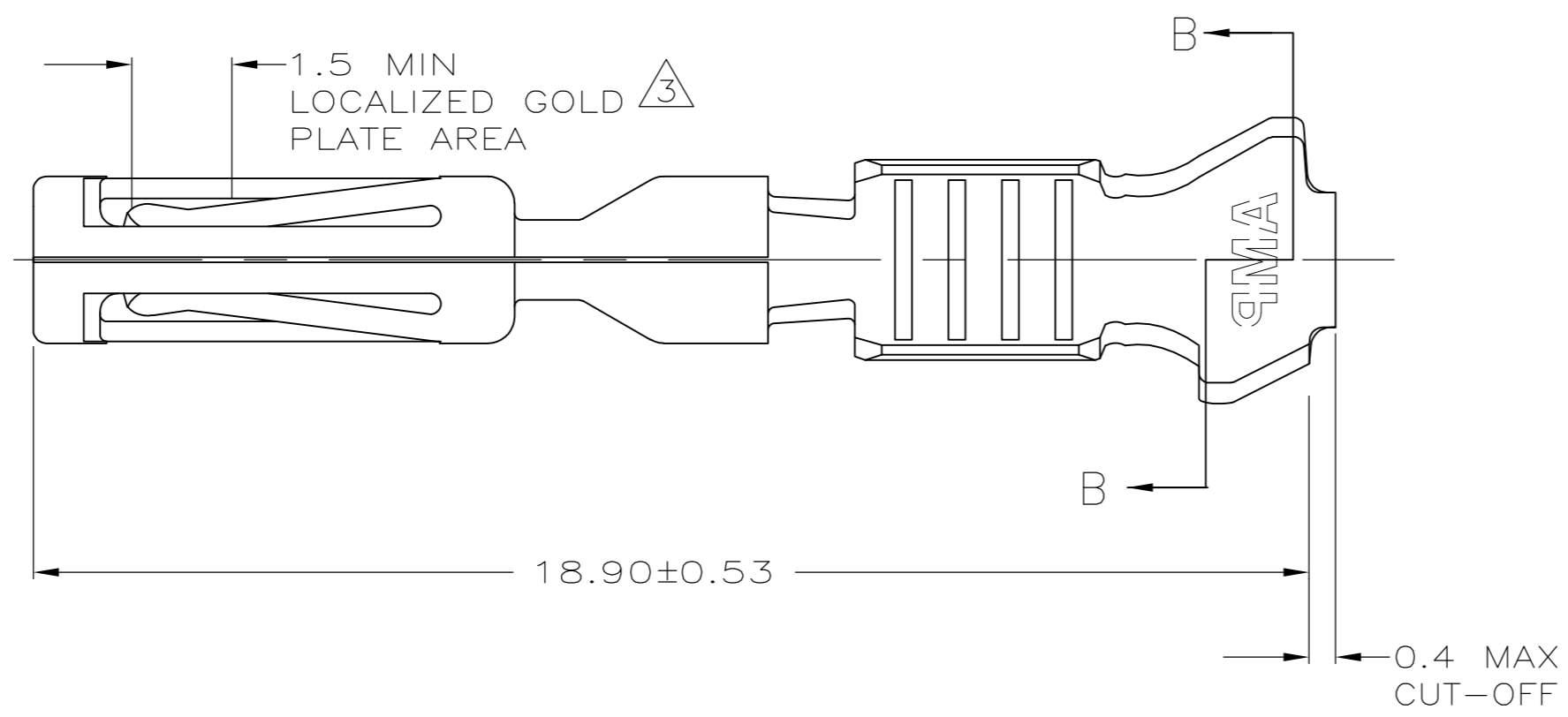
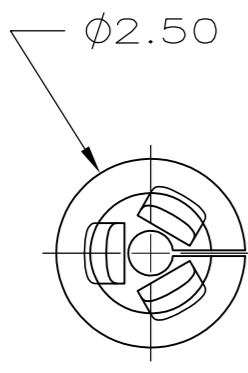
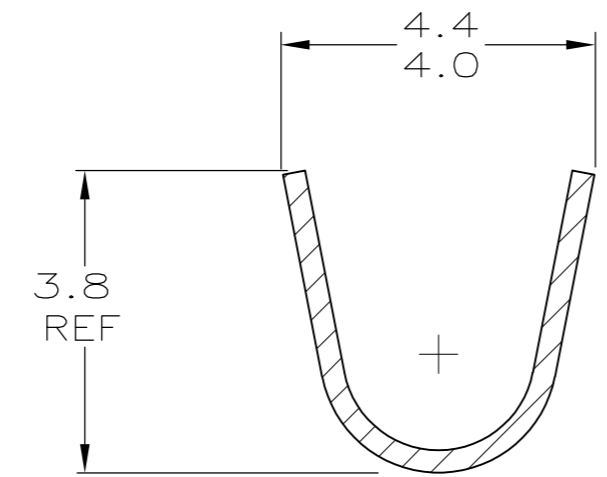
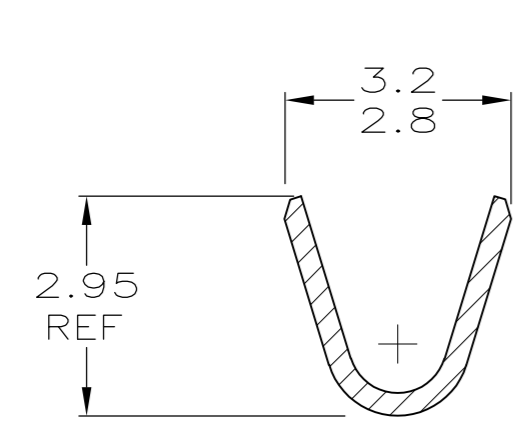
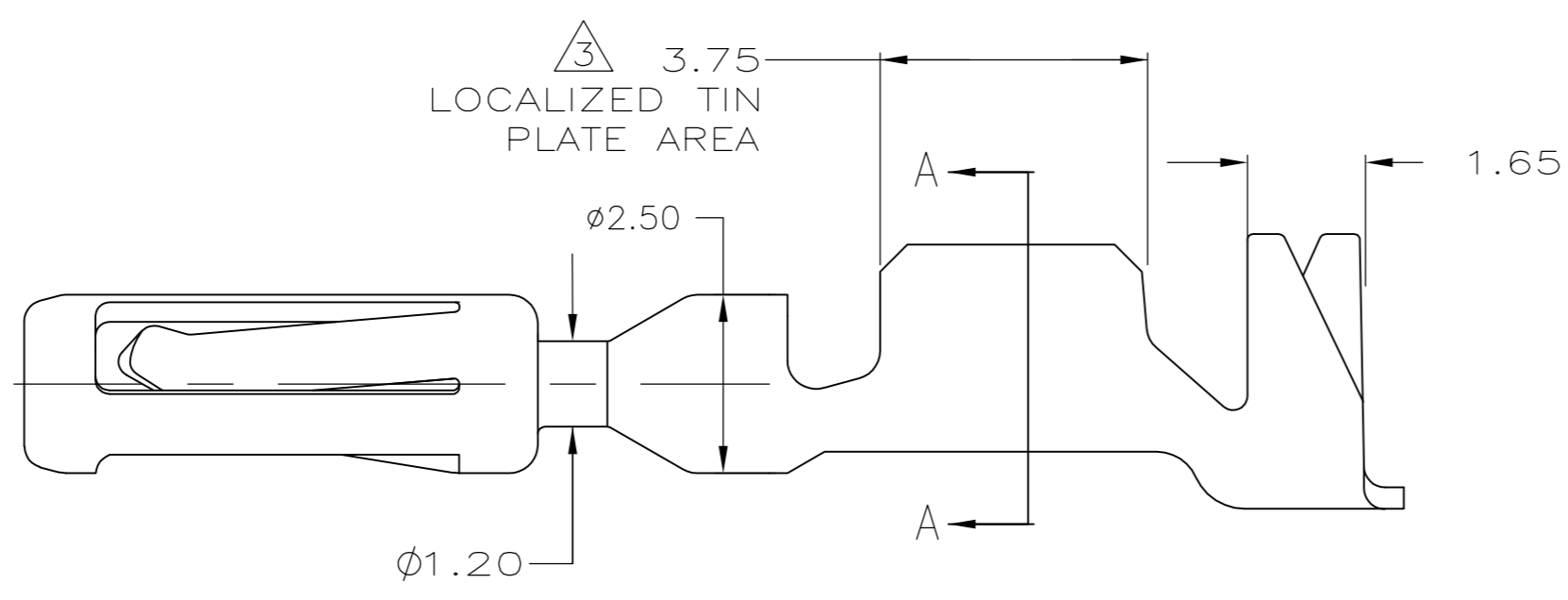


THIS DRAWING IS UNPUBLISHED. RELEASED FOR PUBLICATION  
 © COPYRIGHT - By - ALL RIGHTS RESERVED.

LOC	DIST	REVISIONS					
CM	51	P	LTR	DESCRIPTION	DATE	DWN	APVD
		P		REVISED PER ECO-11-005030	11MAR11	RK	HMR



1. WIRE RANGE: 20-16 AWG
  2. INSULATION RANGE: 1.70-2.70.
- $\Delta_3$  .00075 MIN GOLD IN THE LOCALIZED GOLD PLATE AREA, .0025 MIN MATTE TIN IN THE LOCALIZED TIN PLATE AREA OVER .00125 MIN NICKEL OVER ENTIRE CONTACT.



SECTION A-A

SECTION B-B  
ROTATED 90° CW

GOLD $\Delta_3$	0.38 COPPER ALLOY	770854-3
PRE-TIN	0.38 COPPER ALLOY	770854-1
FINISH	MATERIAL	PART NO.

THIS DRAWING IS A CONTROLLED DOCUMENT.		DWN	-	<b>TE</b> TE Connectivity	
DIMENSIONS: mm		CHK	-		
TOLERANCES UNLESS OTHERWISE SPECIFIED:		APVD	-	NAME	
0 PLC	± -	PRODUCT SPEC	-	CONTACT, LOOSE PIECE, AMPSEAL	
1 PLC	± -	APPLICATION SPEC	-	SIZE	CAGE CODE
2 PLC	± -	WEIGHT	-	A2	00779
3 PLC	± -	CUSTOMER DRAWING	-	DRAWING NO	C=770854
4 PLC	± -	SCALE	10:1	SHEET	1 of 1
ANGLES	± -	REV	P	RESTRICTED TO	
MATERIAL	-				

**METRIC**

770854