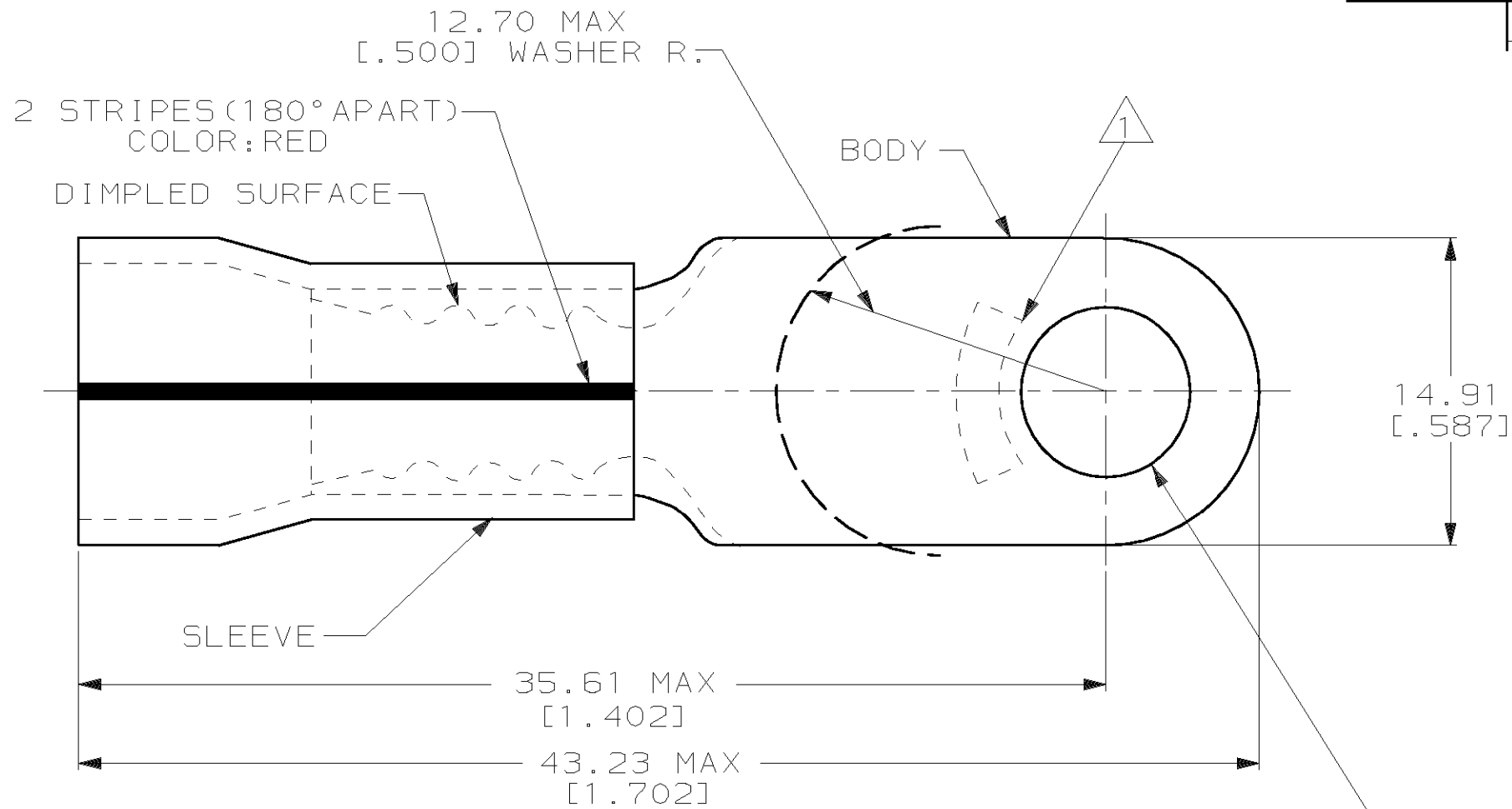


THIS DRAWING IS UNPUBLISHED. RELEASED FOR PUBLICATION, 19 .
 © COPYRIGHT 19 BY AMP INCORPORATED. ALL INTERNATIONAL RIGHTS RESERVED.

LOC G	DIST 14	P	F	REVISIONS			DATE	APPD
				ZONE	LTR	DESCRIPTION		
				G		REV PER 0G3A-0363-01	10JUL01	JR/TM



AMP
WIRE RANGE
8 AWG
STRANDED

METRIC
DIMENSIONS LISTED IN mm [INCHES]

- NOTE:
1. STAMP AMP 8* LOCATE APPROX AS SHOWN
 2. TONGUE MATERIAL THK 1.02±0.08 [.040±.003]
 3. WIRE INSULATION DIA 9.65 [.380] MAX

8.33±0.13 [.328±.005] DIA
(FOR 5/16 STUD)

100	LOOSE PC	54947-1
QTY	PACKAGE TYPE	PART NO

AMP INCORPORATED CUSTOMER SERVICE SYSTEMS	
FOR ADDITIONAL PRODUCT INFORMATION OR COPIES OF DRAWINGS AND TECHNICAL DOCUMENTS	PRODUCT INFORMATION CENTER 1-800-522-6752
FOR APPLICATION TOOLING INFORMATION	TOOLING ASSISTANCE CENTER 1-800-722-1111
FOR ORDER ENTRY	1-800-526-5142

MAX RECOMMENDED OPERATING TEMPERATURE: 150°C
VOLTAGE RATING: 600 V MAX
CIRCULAR MIL AREA: 6.64-10.54mm ² [13,100-20,800] STRANDED

DO NOT SCALE PRINT. UNLESS SPECIFIED DIMENSIONS IN mm [INCHES] TOLERANCES ON: 2 PLC DEC ± 0.20 [.008] 3 PLC DEC ± - ANGLES ± -
MATERIAL COPPER PER ASTM B-152 PVF ² , COLOR:NATURAL
FINISH TIN/LEAD (93-7) PLATE PER ASTM B545

DR 10-11-93 S.S. GOULDEN
CHK 10-11-93 R. HERSEY
APPD 10-11-93 B. BARE
APPD 10-11-93 M. ELLIS
PRODUCT SPEC NOT AVAILABLE
APPLICATION SPEC NOT AVAILABLE
WEIGHT -

AMP AMP Incorporated Harrisburg, PA 17105-3608		
NAME TERMINAL, RING TONGUE, PVF ² , PLASTI-GRIP, WIRE SIZE:8 AWG		
SIZE B	CAGE CODE 00779	DRAWING NO C-54947
SCALE NTS	SHEET 1 OF 1	