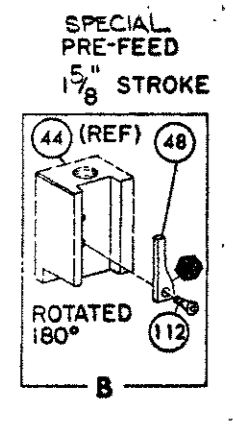
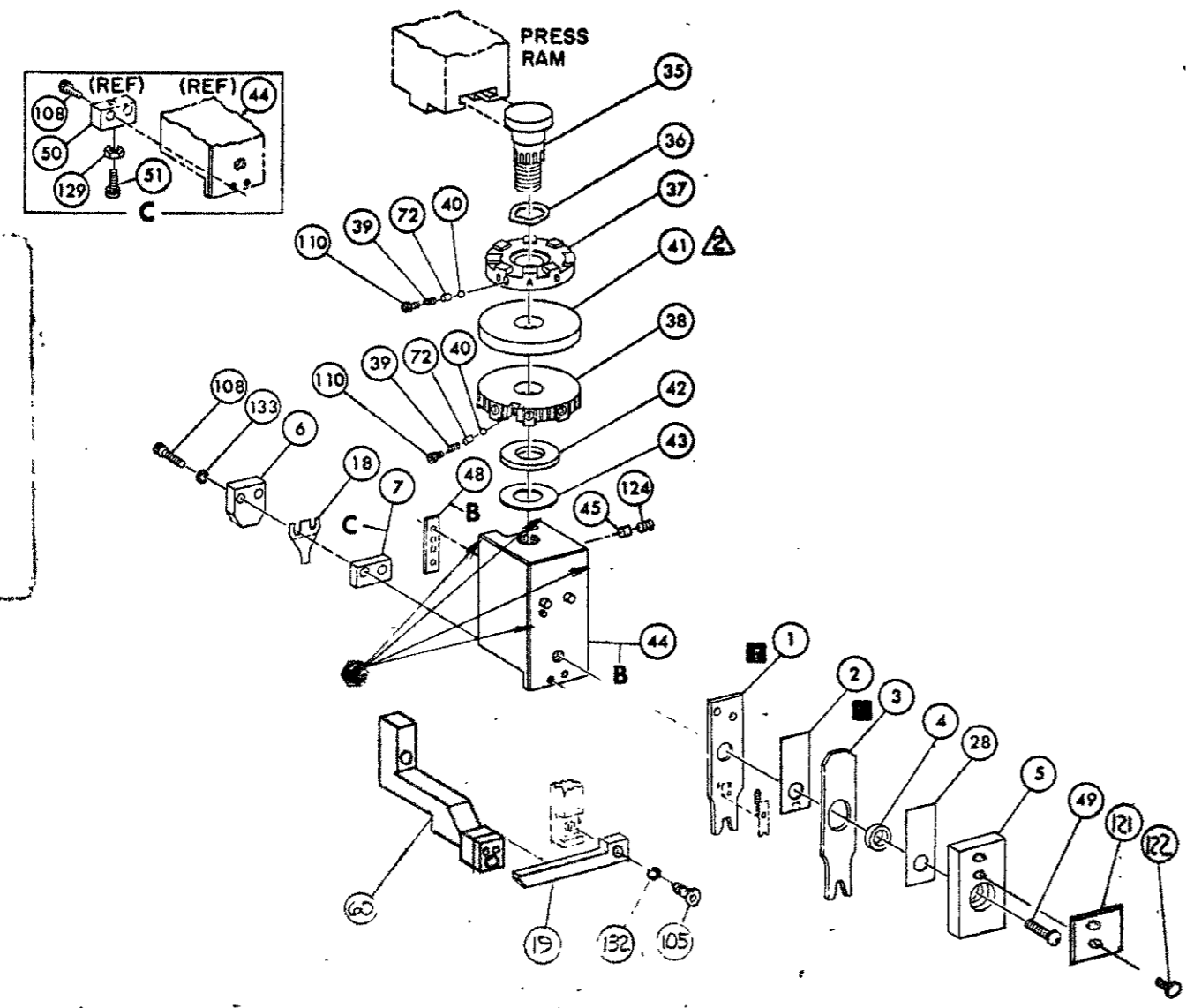


THIS IS A CONTROLLED DOCUMENT.



**NOTES:**

1- ONLY THE ITEMS WITH QUANTITIES SPECIFIED ON PARTS LIST ARE USED ON THIS APPLICATOR.

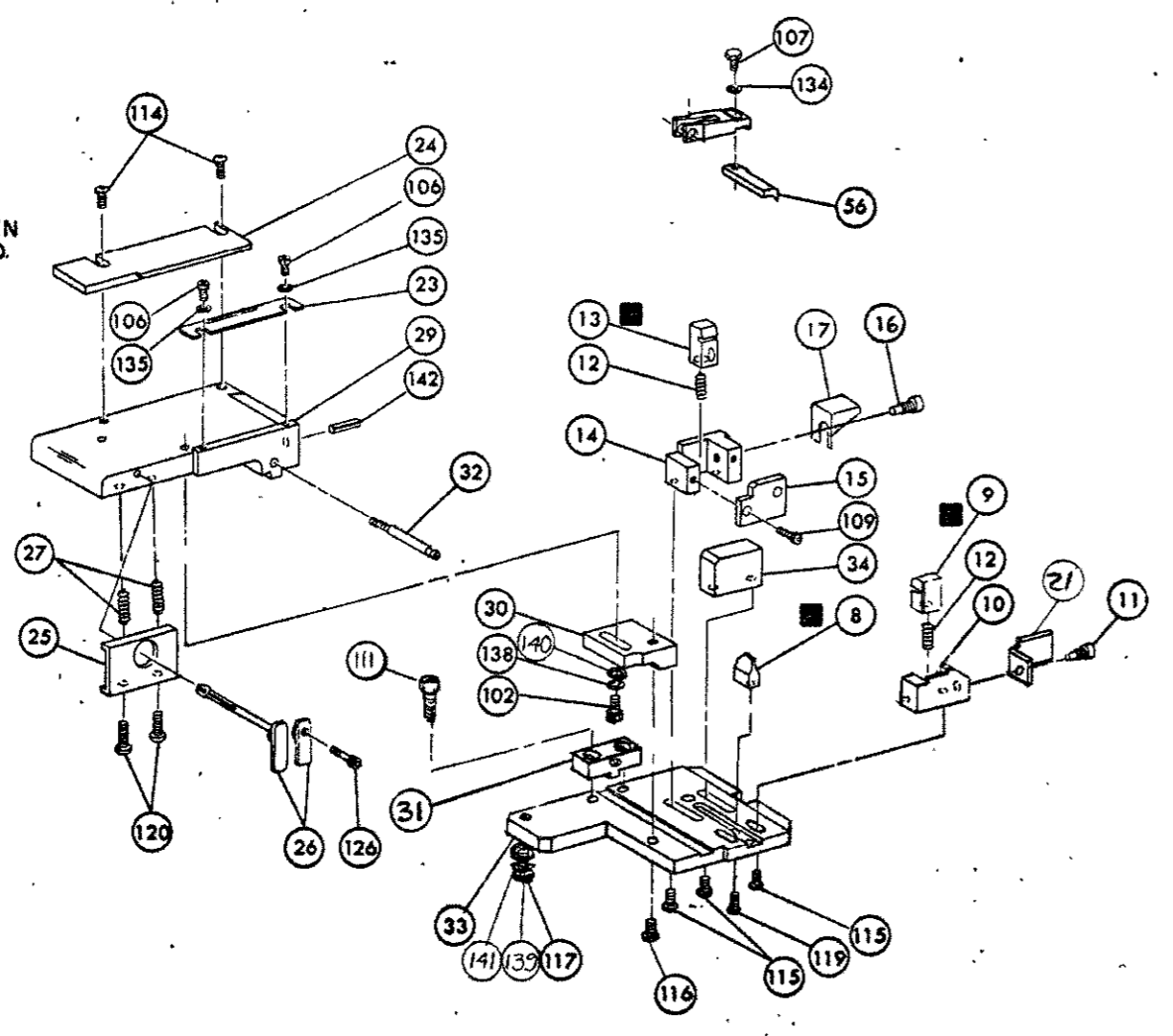
△- USED IN PLACE OF ITEM 38 WHEN INSULATION CRIMP IS NOT USED.

3-FEED PIVOT- CENTERHOLE

**KEY:**

☐- RECOMMENDED SPARE PARTS CUSTOMER RESPONSIBLE FOR REPLACEMENT.

●- GREASE WEEKLY



QTY	PART NO	DESCRIPTION	ITEM NO
REF	45615-1	PLATE, TERMINAL NO.	145
REF	60070-2	PLATE, SERIAL NO.	144
1	4-21028-0	PIN, SLOT SPR (.093 DIA X .75) STR G PLATE	142
1	21899-2	WASHER, FLAT (NO 10) MOUNTING	141
1	21899-2	WASHER, FLAT (NO 10) S. G. ADJ BLOCK	140
1	21024-5	WASHER, LOCK (NO 10) MOUNTING	139
1	21024-5	WASHER, LOCK (NO 10) STRIP GUIDE ADJ BLOCK	138
1	811242-2	BUMPER, HOLDDOWN	137
1	690753-1	SPACER, TONKER	136
2	21024-2	WASHER, LOCK (NO 4) FRONT STRIP GUIDE	135
REF	21024-4	WASHER, LOCK (NO 8) FEED FINGER	134
2	21024-4	WASHER, LOCK (NO 8) DEPRESSOR	133
REF	21024-4	WASHER, LOCK (NO 8) STRIPPER	132
1	21018-5	NUT, HEX MACH (6-32) HOLDDOWN	131
1	22353-8	SCR, SHLD. (187 DIA X .250 LG) DRAG LEVER	126
1	21009-2	SCR, SKT SET (1/4-20 X .25) (LOC-WEL) RAM	125
2	21017-2	SCR, DRIVE (# 2 X .188 LG)	122
1	819347-1	PLATE, I.D.	121
2	3-21002-0	SCR, BUT HD SKT CAP (10-32 X .80) DRAG	120
2	22733-8	SCR, BUT HD SKT CAP (8-32 X .38) (LOC-WEL) ANVIL	119
1	3-21002-9	SCR, SOC HD SKT CAP (10-32 X 1.00) MOUNTING	117
1	2-21002-7	SCR, BUT HD SKT CAP (10-32 X .50) SG ADJ BLOCK	116
4	2-21002-2	SCR, BUT HD SKT CAP (8-32 X .50) SHEAR	115
2	2-21002-2	SCR, BUT HD SKT CAP (8-32 X .50) R STRIP GUIDE	114
1	1-21002-7	SCR, BUT HD SKT CAP (6-32 X .50) CAM	113
2	2-21000-7	SCR, SKT HD CAP (8-32 X .50) SCR. BLOCK	111
2	23030-1	SCR, SKT HD CAP (6-32 X .25) (LOC-WEL) CP DISC	110
2	2-21000-7	SCR, SKT HD CAP (8-32 X .50) REAR SHEAR PLATE	109
REF	2-21002-1	SCR, BUT HD MACH (8-32 X .38) FEED FINGER	107
2	1-21000-3	SCR, SKT HD CAP (4-40 X .25) F STRIP GUIDE	106
REF	2-21002-1	SCR, BUT HD CAP (8-32 X .38) STRIPPER	105
1	3-22603-1	SCR, HEX HD CAP (10-32 X .38) SG ADJ BLOCK	102
2	463310-7	BLADE, STRIPPING (# 24)	77
2	690603-1	SPRING, ASSIST	72
1	5-22280-0	SPRING, DRAG	27
1	690461-2	LEVER, DRAG RELEASE	26
1	462548-1	DRAG, STOCK	25
1	462547-1	GUIDE STRIP (REAR)	24
1	4-690512-9	GUIDE STRIP (FRONT)	23
1	462838-1	SPACER, DEPRESSOR (REAR)	7
1	238011-7	DEPRESSOR, SHEAR (REAR)	6
1	3-456135-0	DEPRESSOR, SHEAR (FRONT) SPECIAL	5
1	455888-4	SPACER, TUBULAR, INS CRIMPER	4
1	455888-4	CRIMPER, INSULATION	3
1	456401-1	SPACER, CRIMPER	2
1	456401-1	CRIMPER, WIRE	1

QTY	PART NO	DESCRIPTION	ITEM NO
REF	816472-1	STOP, WIRE	78
1	463756-1	GUIDE, SCRAP	21
REF	462615-1	STRIPPER	19
1	463756-1	HOLDER, TERMINAL	19
1	463756-1	GUARD, CHIP (REAR)	7
1	463756-1	STOP, SHEAR (REAR)	16
1	463756-1	PLATE, SHEAR (REAR)	15
1	463756-1	HOLDER, SHEAR (REAR)	14
1	463756-1	SHEAR, FLOAT (REAR)	13
1	463756-1	SPRING, SHEAR	12
1	463756-1	STOP, SHEAR (FRONT)	11
1	463756-1	HOLDER, SHEAR (FRONT) SPECIAL	10
1	463756-1	SHEAR, FLOAT (FRONT) SPECIAL	9
1	463756-1	ANVIL	8
1	463756-1	SPACER, DEPRESSOR (REAR)	7
1	463756-1	DEPRESSOR, SHEAR (REAR)	6
1	463756-1	DEPRESSOR, SHEAR (FRONT) SPECIAL	5
1	463756-1	SPACER, TUBULAR, INS CRIMPER	4
1	463756-1	CRIMPER, INSULATION	3
1	463756-1	SPACER, CRIMPER	2
1	463756-1	CRIMPER, WIRE	1

QTY	PART NO	DESCRIPTION	ITEM NO
63	VISIBLE	CRIMPING DATA	
62	PAD LTR	CRIMP HEIGHT	WIRE SIZE
61	A	.030	26
60	B	NOT USED	
	C	.036	22
	D	.032	24
	CRIMP	SIZE	TYPE
	WIRE	042	F
	INSUL	055	0
	FEED	300	A1 8040
	APPL INST		
	WIRE RANGE	26-22	
	INSULATION RANGE	036-034	
	PRESS NO	463345-1	

REMARKS	NO	REV
TO APPLY TERMINAL SPEC 114-25021		
DISTRIBUTION		
ORIGINAL		
CUSTOMER COPY		
FIELD ENG COPY		

APPL USED ON MACHINE PART NO	MACH SERIAL NO

CUSTOMER NAME	APPL SERIAL NO

ADDRESS	PURCHASE ORDER

CITY	ENG APP

REVISION RECORD	APP DATE	REV

REVISION RECORD	APP DATE	REV

REVISION RECORD	APP DATE	REV

466943