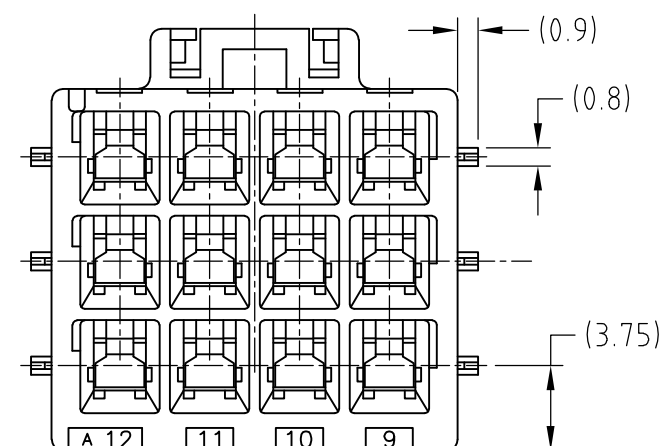
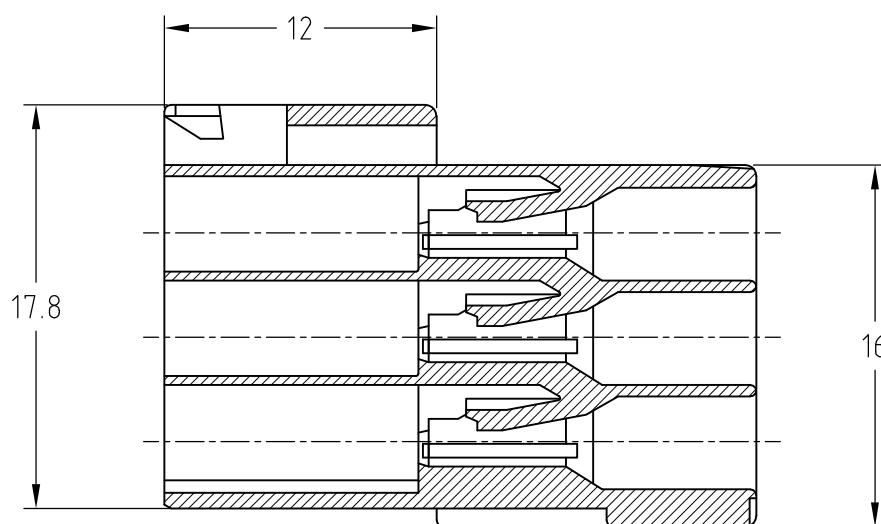
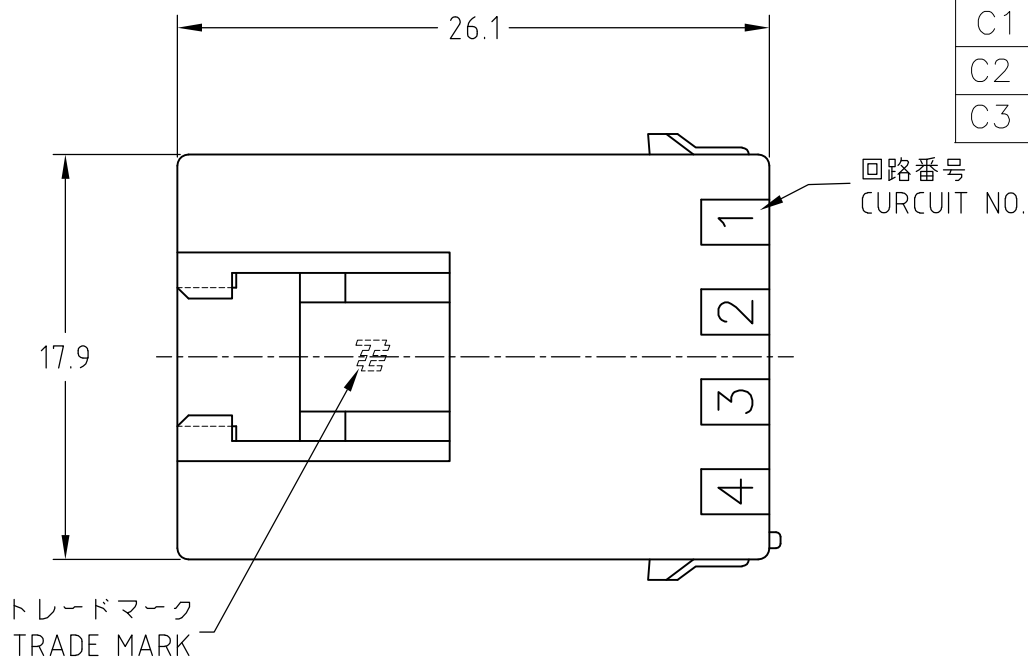
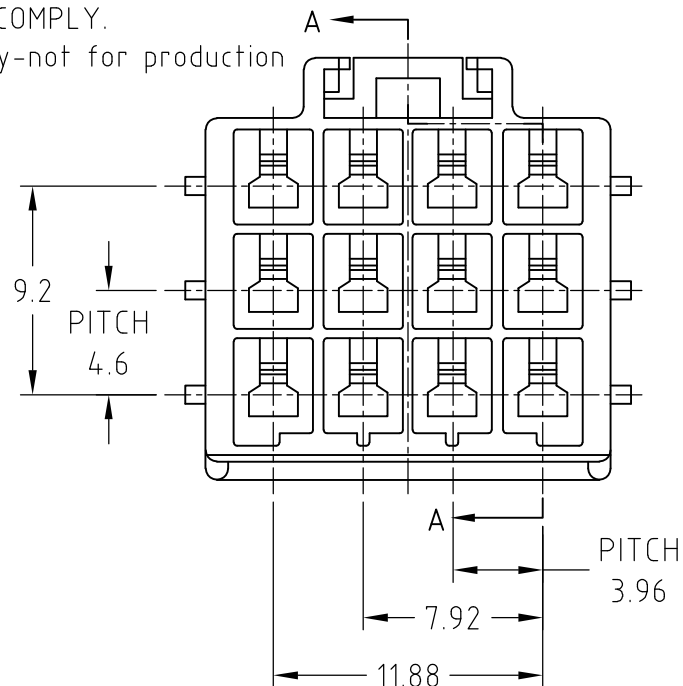


THIS DRAWING IS UNPUBLISHED. RELEASED FOR PUBLICATION
 © COPYRIGHT BY TYCO ELECTRONICS CORPORATION. ALL RIGHTS RESERVED.

LOC	DIST	REVISIONS 変更			
P	LTR	DESCRIPTION	DATE	DWN	APVD
	B	REVISED ECR-06-003255	09FEB06	J.S	N.Y
	C	REVISED ECR-10-004823	16MAR10	S.C	J.Z
	C1	REVISED ECR-14-001994	11FEB14	A.Z	D.Z
	C2	REVISED ECR-14-013449	14SEP14	W.W	D.Z
	C3	REVISED ECR-14-017020	14NOV14	W.W	D.Z

- 注:
 1. 一般公差: ±0.3
 2. かん合相手型番: TABLE参照
 3. 適用コンタクト型番
 タブコンタクト: 177917-X(#20-#16AWG)
 177916-X(#26-#22AWG)
 4. 適用プレート型番: 177920-X
- NOTES:
 1. GENERAL TOLERANCE: ±0.3
 2. MATING CONN. P/N: SEE TABLE
 3. APPLICABLE CONTACT P/N
 TAB CONTACT: 177917-X(#20-#16AWG)
 177916-X(#26-#22AWG)
 4. APPLICABLE PLATE P/N: 177920-X
 5. PART 5-1903720-1 COMPLY WITH GLOW WIRE REQUIREMENT FOR PARTS OF NON-METALLIC MATERIAL SUPPORTING A CURRENT-CARRYING CONNECTION DETAILED IN IEC 60335-1, SECTION 30(GWT)
 6. PART 1903720-2 COMPLY WITH HOT WIRE REQUIREMENT, PA66, UL94V-0, HOT WIRE IGNITION(HWI) VERSION ARE MOLDED IN A RESIN THAT RECOMMENDED FOR USE WITH HWI HOUSING THAT ALSO COMPLY.

△ Preliminary-not for production



177905-7	自然色 NATURAL	12	1903720-2 △
5-177905-1	自然色 NATURAL	12	5-1903720-1
177905-1	自然色 NATURAL	12	1903720-1
かん合相手型番 MATING CONN. P/N	色調 COLOR	極数 POS	型番 PART NUMBER

THIS DRAWING IS A CONTROLLED DOCUMENT.		DWN J.SATO 19JAN2006	TE TE Connectivity	
DIMENSIONS: 単位: 耗 mm		CHK N.YAMASAKI 19JAN2006		
TOLERANCES UNLESS OTHERWISE SPECIFIED: 一般公差		APVD N.YAMASAKI 19JAN2006	NAME 名称 AMP POWER DOUBLE LOCK CONN. 3.96MM PITCH CAP HOUSING 12POS (FREE HANGING TYPE)	
0 PLC ± 1 PLC ± 2 PLC ± 3 PLC ± 4 PLC ± ANGLES ±		PRODUCT SPEC 製品規格 108-5410	SIZE A3	
MATERIAL 材料 6/6NYLON(UL94V-0)		FINISH 仕上	CAGE CODE 00779	DRAWING NO 番号 C-1903720
		WEIGHT	RESTRICTED TO —	
		CUSTOMER DRAWING	SCALE 尺度 3:1	SHEET 1 OF 1
			REV C3	