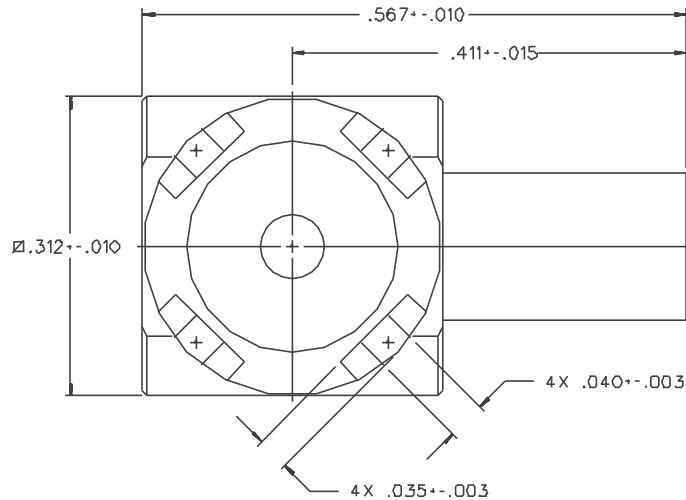
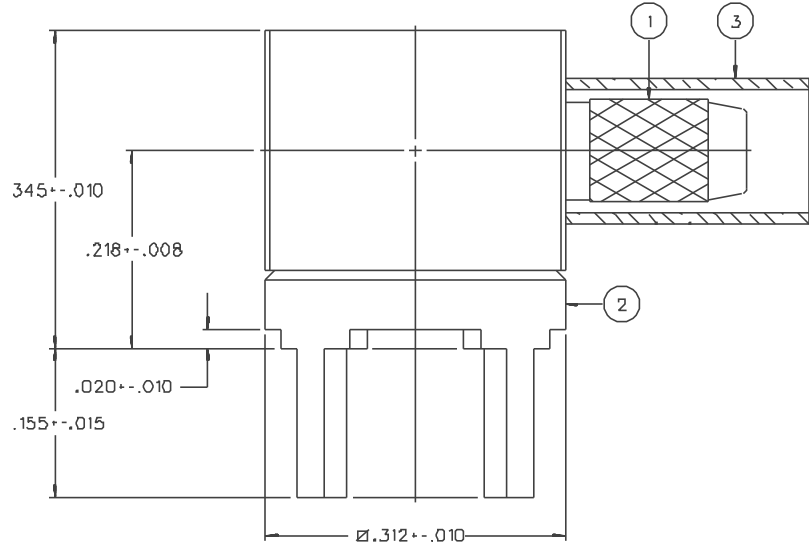


PART NUMBER	ITEM ① BODY	ITEM ② BASE	ITEM ③ CRIMP SLEEVE
142-0003-301	BRASS GOLD PL .00001 MIN OVER NICKEL PL .00005 MIN OVER COPPER PL .00005 MIN	BRASS GOLD PL .00001 MIN OVER NICKEL PL .00005 MIN OVER COPPER PL .00005 MIN	COPPER GOLD PL .00001 MIN OVER NICKEL PL .00005 MIN OVER COPPER PL .00005 MIN
142-0003-306	BRASS NICKEL PL .0001 MIN OVER COPPER PL .00005 MIN	BRASS NICKEL PL .0001 MIN OVER COPPER PL .00005 MIN	COPPER NICKEL PL .0001 MIN OVER COPPER PL .00005 MIN
142-0003-307	BRASS NICKEL PL .0001 MIN OVER COPPER PL .00005 MIN	BRASS NICKEL PL .0001 MIN OVER COPPER PL .00005 MIN Δ	COPPER NICKEL PL .0001 MIN OVER COPPER PL .00005 MIN

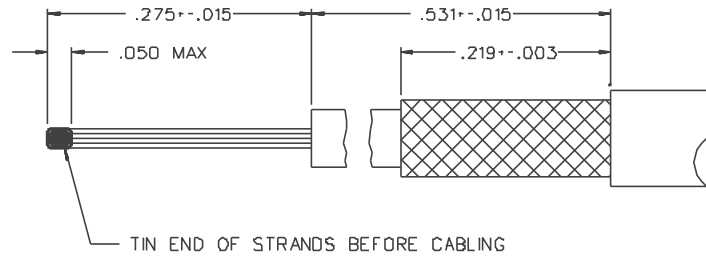


NOTES:

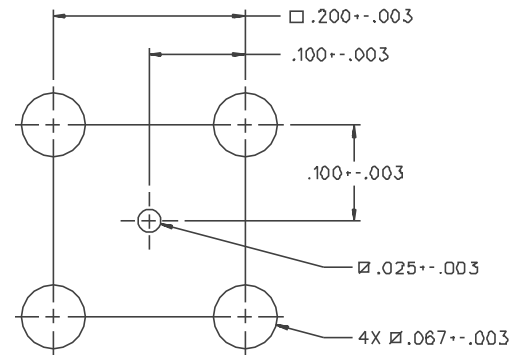
1. SPECIFICATIONS:

CABLE ACCEPTABILITY: RG 188/U, RG 316/U, RG 161/U
 RG 174/U, RG 179/U, RG 187/U
 CABLE HEX CRIMP SIZE: .125
 CABLE RETENTION: 20 LBS MIN OR CABLE BREAKING STRENGTH

Δ CONNECTOR MOUNTING LEADS 60/40 TIN/LEAD DIPPED (SOLDER PLATE).



CABLE STRIP DIMENSIONS



MOUNTING HOLE LAYOUT

DRAWING NO.	
C - 142-0003-301/310	
0	REVISIONS
CHANGED: REVISED AND REDRAWN. WAS "D" SIZE, DATED 10-3-86.	
03	04-12-88 EJ RRF RJB 5-19-88 ECG 23408
ADDED: P/N 142-0003-307, NOTE 2	
4	7-16-92 R H ECD 41140

CUSTOMER DRAWING

THIS DRAWING TO BE INTERPRETED
 PER ANSI Y 14.5M - 1982

"μSTATION"

COMPANY CONFIDENTIAL

TOLERANCE UNLESS OTHERWISE SPECIFIED		DRAWN BY EJ	DATE 4-12-88	 <small>Cinch Connectivity Solutions 299 Johnson Ave. Ste. 100 Waukegan, IL 60093 1-800-247-8256</small>
DECIMALS .XX	mm	CHECKED BY	DATE	
.XXX		APPROVED BY RRF	DATE 5-16-88	TITLE CABLE TERMINATION, RA PC MOUNT RG 316
MATL		APPROVED BY RJB	DATE 5-16-88	CODE NO.
FINISH		RELEASE DATE (12-1-86) 5-19-88		DRAWING NO. C - 142-0003-301/310
		SCALE 10:1	U/M INCH	SHEET 2 OF 2