

THE INFORMATION CONTAINED HEREIN IS CONSIDERED "PROPRIETARY" TO BEL FUSE INC. AND SHALL NOT BE COPIED, REPRODUCED OR DISCLOSED WITHOUT THE WRITTEN APPROVAL OF BEL FUSE INC.

LED1 POLARITY			LED2 POLARITY		
PIN 13	PIN 14	COLOR	PIN 15	PIN 16	COLOR
+	-	ORANGE	+	-	ORANGE
-	+	GREEN	-	+	GREEN



ELECTRICAL CHARACTERISTICS @ 25°C

URNS RATIO

TP1	1CT : 1CT ±2%
TP2	1CT : 1CT ±2%
TP3	1CT : 1CT ±2%
TP4	1CT : 1CT ±2%

QCL @ 100kHz/100mVRMS

8mA DC BIAS 350µH MIN.

INS. LOSS

0.1MHz TO 1MHz	-1.1 dB MAX
1MHz TO 65MHz	-0.5 dB MAX
65MHz TO 100MHz	-0.8 dB MAX
100MHz TO 125MHz	-1.2 dB MAX

RET. LOSS (MIN)

0.5MHz-40MHz	-18 dB
40MHz-100MHz	-12+20LOG(f/80MHz) dB

CROSS TALK

1MHz - 60MHz	-35dB MIN
60MHz - 100MHz	-25dB MIN

CM TO CM REJ

100kHz - 100MHz -30 dB MIN

CM TO DM REJ

100kHz - 100MHz -35 dB MIN

HIPOT (Isolation Voltage): 1500 Vrms

100% OF PRODUCTION TESTED TO COMPLY WITH IEEE 802.3 ISOLATION REQUIREMENT

LED 1 & 2

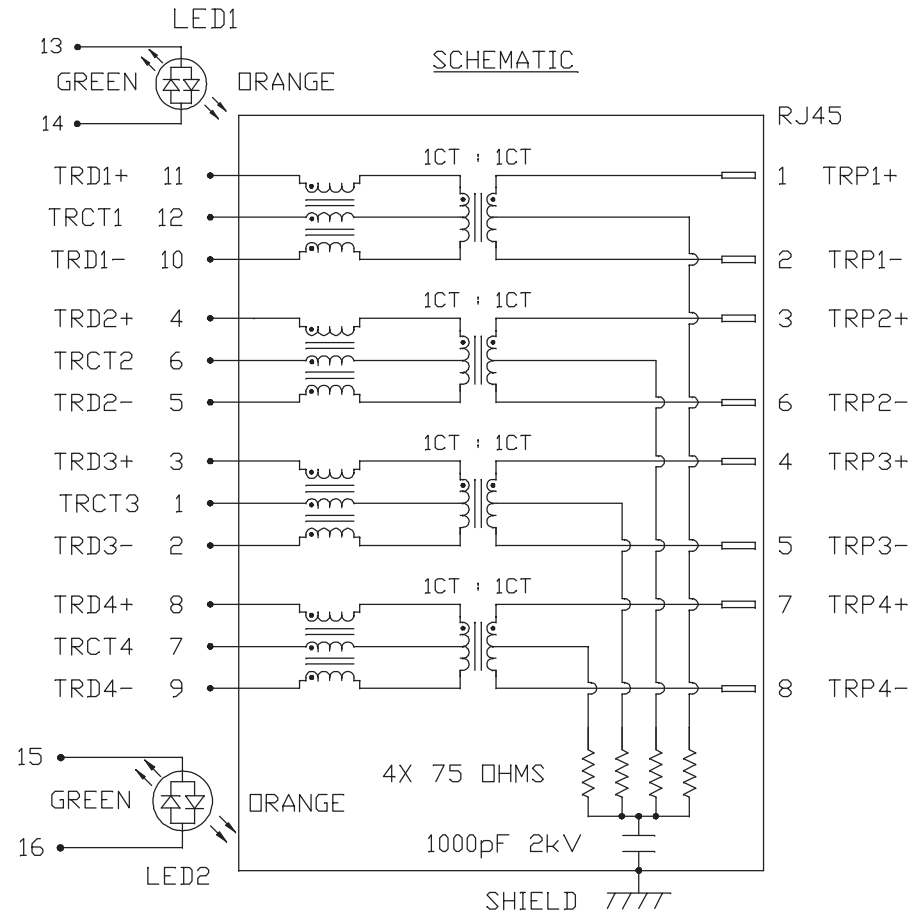
VF (FORWARD VOLTAGE) IF=20mA	GREEN 2.2V TYP.
	ORANGE 2.0V TYP.
λD (DOMINANT WAVELENGTH) IF=20mA	GREEN 570nm TYP.
	ORANGE 605nm TYP.

USB ELECTRICAL:

INSULATION RESISTANCE: 1000 MEGA (MIN)

CONTACT RESISTANCE: 25 MILLI (MAX)

DIELECTRIC WITHSTANDING: 750 VAC

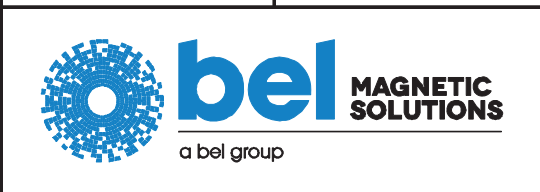


ORIGINATED BY
CHOW WANCHUNG
DATE 2015-10-13
DRAWN BY
MURPHY LEE
DATE 2015-10-13

TITLE
gigabit MagJack® Combo
(single USB, 8 cores)
PATENTED
0821-1B1T-43-F

PART NO. / DRAWING NO.
08211B1T43-F
FILE NAME
08211B1T43-F_B.DWG

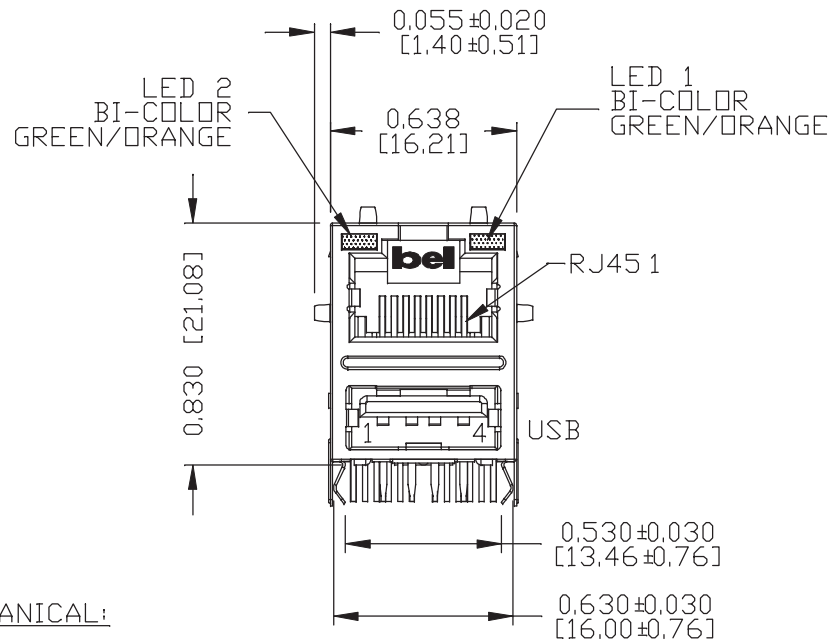
STANDARD DIM.
TOL. IN INCH
[] METRIC DIM.
AS REF.
UNIT : INCH [mm]
SCALE : N/A
SIZE : A4



THE INFORMATION CONTAINED HEREIN IS CONSIDERED "PROPRIETARY" TO BEL FUSE INC. AND SHALL NOT BE COPIED, REPRODUCED OR DISCLOSED WITHOUT THE WRITTEN APPROVAL OF BEL FUSE INC.

MECHANICAL SPECIFICATION

RoHS



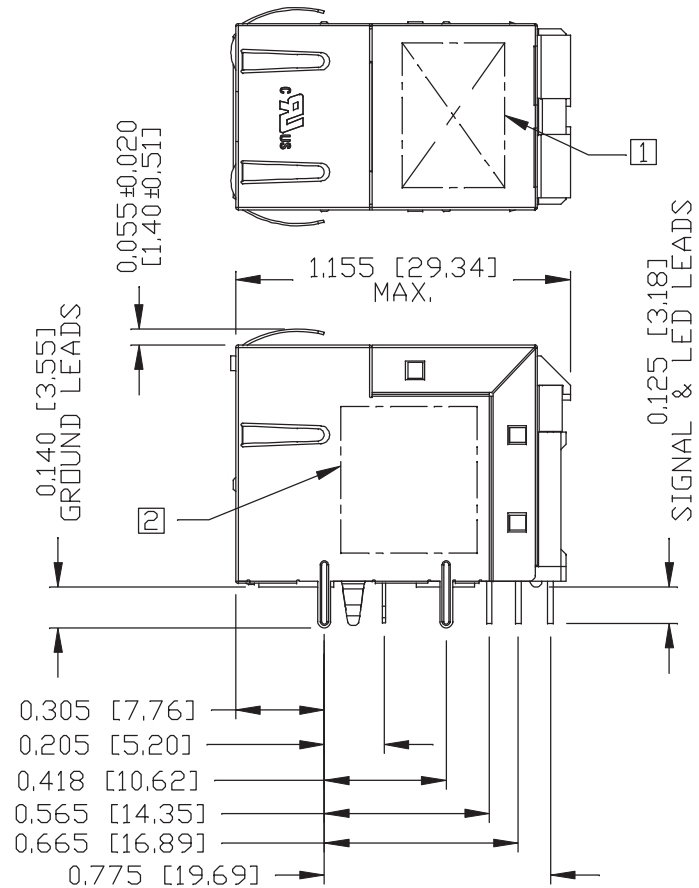
RJ45 MECHANICAL:

PLASTIC HOUSING: THERMOPLASTIC PBT
 FLAMMABILITY RATING UL 94V-0
 CONTACT PLATING: 30 MICRO-INCH HARD GOLD PLATING OR EQUIVALENT.

PINS: TIN-COATED COPPER WIRE, DIA 0.018 INCH.
 METAL SHIELD: NICKEL PLATED ON COPPER ALLOY.
 (ALL GROUND LEADS ARE SOLDER DIPPED)

UL UL RECOGNIZED - FILE #E196366 AND E169987.

- 1. MARK PART WITH MFG. LOGO, MFG. NAME, PART NUMBER AND DATE CODE.
- 2. MARKING "PATENTED".
- 3. THE PRODUCT IS RoHS COMPLIANT.
- 4. THE PRODUCT IS PATENTED. THE PATENT NUMBER IS U.S. PAT. 7,123,117.



USB MECHANICAL:

MATING FORCE: 35 NEWTONS MAXIMUM
 UNMATING FORCE: 10 NEWTONS MINIMUM

CONTACT: PROSPHER BRONZE,
 30 MICRO-INCH GOLD PLATING ON CONTACT AREA AND TIN ON SOLDER TAIL.

ORIGINATED BY ANTON LIAO
DATE 2015-10-13
DRAWN BY JESSE LI
DATE 2015-10-13

TITLE gigabit MagJack® Combo (single USB, 8 cores) PATENTED 0821-1B1T-43-F
--

PART NO. / DRAWING NO. 08211B1T43-F
FILE NAME 08211B1T43-F_B.DWG

STANDARD DIM. TOL. IN INCH	[] METRIC DIM. AS REF.
.X	UNIT : INCH [mm]
.XX	SCALE : N/A
.XXX ±0.010	SIZE : A4

REV. : B	PAGE : 3
----------	----------

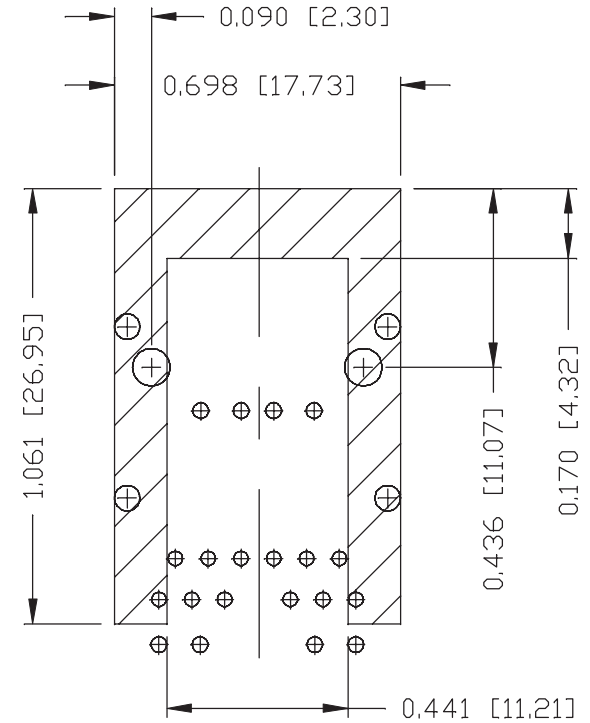
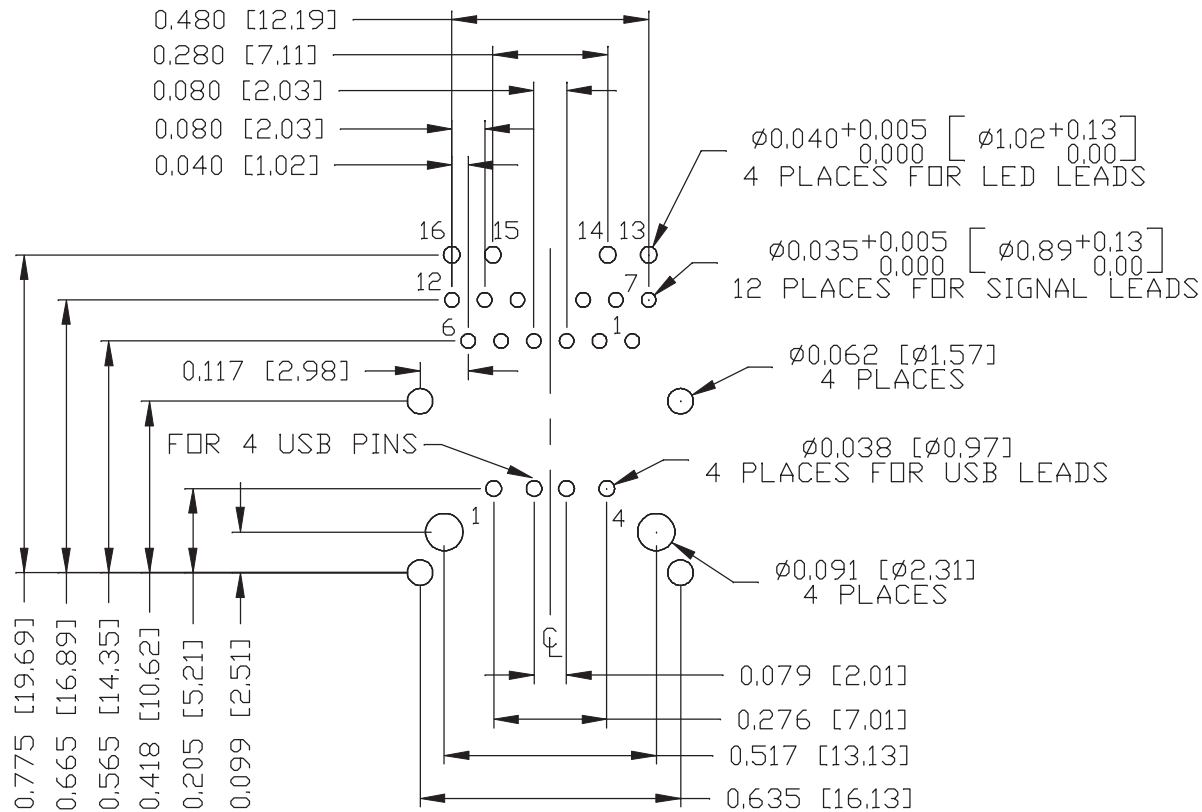


THE INFORMATION CONTAINED HEREIN IS CONSIDERED "PROPRIETARY" TO BEL FUSE INC. AND SHALL NOT BE COPIED, REPRODUCED OR DISCLOSED WITHOUT THE WRITTEN APPROVAL OF BEL FUSE INC.

RoHS



RECOMMENDED PCB FOOTPRINT
COMPONENT SIDE VIEW



NOTES:

THE SHADED AREA ON THE CUSTOMER BOARD ARE RECOMMENDED TO BE CLEAR OFF ANY VIA HOLE OR COMPONENT PAD.

REV. : B PAGE : 4

ORIGINATED BY
ANTON LIAO
DATE 2015-10-13
DRAWN BY
JESSE LI
DATE 2015-10-13

TITLE
gigabit MagJack® Combo
(single USB, 8 cores)
PATENTED
0821-1B1T-43-F

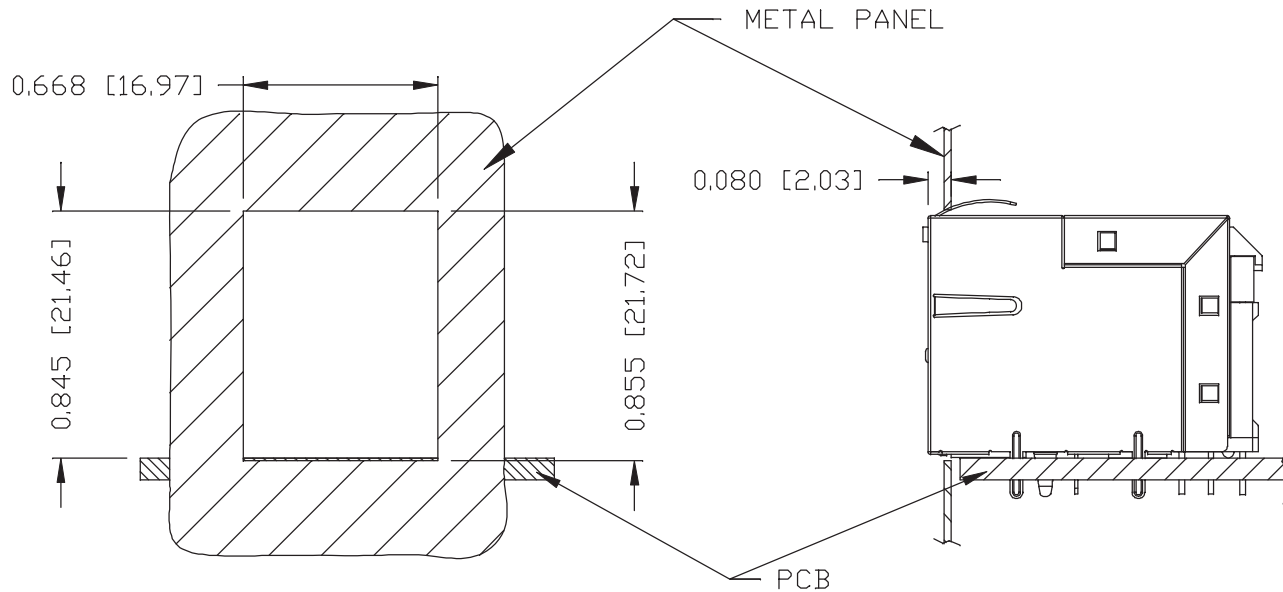
PART NO. / DRAWING NO.
08211B1T43-F
FILE NAME
08211B1T43-F_B.DWG

STANDARD DIM. TOL. IN INCH	[] METRIC DIM. AS REF.
.X	UNIT : INCH [mm]
.XX	SCALE : N/A
.XXX	SIZE : A4



THE INFORMATION CONTAINED HEREIN IS CONSIDERED "PROPRIETARY" TO BEL FUSE INC. AND SHALL NOT BE COPIED, REPRODUCED OR DISCLOSED WITHOUT THE WRITTEN APPROVAL OF BEL FUSE INC.

SUGGESTED PANEL OPENING



NOTES:
 THE DISTANCE OF PANEL INSIDE SURFACE RELATIVE TO FRONT SURFACE OF PART IS ONLY A SUGGESTION. IN CASE THIS DISTANCE IS DIFFERENT, THE REQUIRED PANEL OPENING DIMENSIONS CHANGE ACCORDINGLY.

PACKING INFORMATION

PACKING TRAY : 0200-0148-48 (TOP)
 0200-0148-49 (BOTTOM)
 PACKING QUANTITY : 60 PCS FINISHED GOODS PER TRAY
 8 TRAYS (480 PCS FINISHED GOODS) PER CARTON BOX
 NOTE : CARDBOARDS ARE PLACED BETWEEN LAYERS OF PACKING TRAY INSIDE CARTON BOX
 (INCLUDE THE UPPERMOST AND LOWERMOST TRAY)

REV. : B PAGE : 5

ORIGINATED BY ANTON LIAO DATE 2015-10-13	TITLE gigabit MagJack® Combo (single USB, 8 cores) PATENTED 0821-1B1T-43-F	PART NO. / DRAWING NO. 08211B1T43-F	STANDARD DIM. TOL. IN INCH	[] METRIC DIM. AS REF.
		FILE NAME 08211B1T43-F_B.DWG	.X .XX .XXX	UNIT : INCH [mm] SCALE : N/A SIZE : A4
			±0.004	

