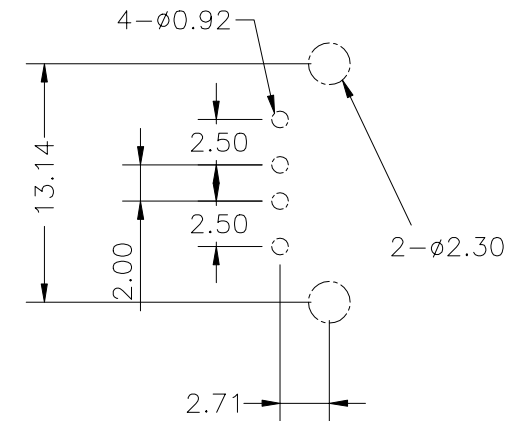
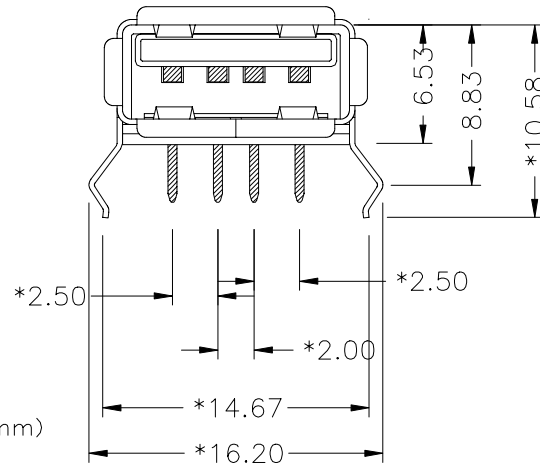
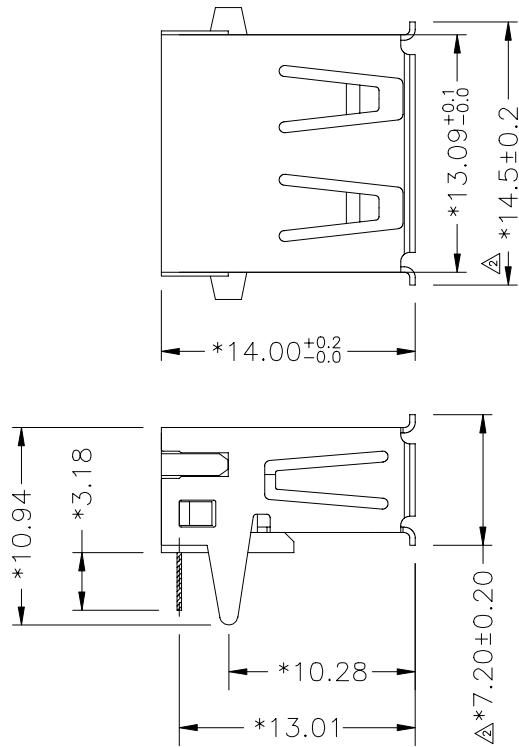


REVISION RECORD				
REV	ECO	DESCRIPTION	DRFT	CHKD
1		Drawing Modify	sammy	07/15/05
2		Drawing Modify	ANKUE	12/28/05
3	1	ADD P/N	TIRRY	08/02/06



NOTES:

- MATERIAL:**
TERMINAL-C5191 PHOSPHOR BRONZE HARD. (t=0.25mm)
SHIELD-COPPER ALLOY OR PHOSPHOR BRONZE
HOUSING-NYLON+ 30% G.F.
- PLATING:**
CONTACT-AREA-SELECTIVE PLATING. ON THE MATING END.
TAILS-PLATED TIN OVER NICKEL.
SHIELD-PLATED TIN OVER NICKEL.
OR PLATED NI OVER Cu. .
- TOLERANCE:** ±0.3mm.±3°.
- GAP:** 0.25mm (Max.)
- ELECTRICAL:**
VOLTAGE RATING: 30 VAC RMS.
CURRENT RATING: 1.0 AMP
CONTACT RESISTANCE: 30 MILLIOHMS MAX
INSULATION RESISTANCE: 1000 MEGOHMS MIN @500 VDC
DIELECTRIC STRENGTH: 750 VAC RMS 60 HZ, 1 MIN
OPERATING LIFE: 1500 CYCLES MIN
MATING FORCE: 3.5 KGS MAX
UNMATING FORE: 1 KGS MIN
STORAGE: -40°C TO +85°C
OPERATION: -40°C TO +85°C
CAPACITANCE: 2 PF MAX 1KHZ
WAVE SOLDERING TEMPERATURE:255°C TO 265°C(5-10SECCONDS)
RoHS COMPLIANT.

6.ROHS PART NUMBER: E8144-AXXX2X-L

- 0-COPPER ALLOY**
- 1-PHOSPHOR BRONZE**
- 1-NICKEL
- 2-TIN

- 1-Au3u" 2-Au6u"
- 3-Au15u" 4-Au30u"
- 5-Au50u" 7-Pd30u"
- 2-NATURAL COLOR
- 5-BLACK COLOR

7.ROHS PART NUMBER: E8144-AX1F2X-L

- 0-COPPER ALLOY**
- 1-PHOSPHOR BRONZE**
- 1F-NICKEL WHITE

- 1-Au3u" 2-Au6u"
- 3-Au15u" 4-Au30u"
- 5-Au50u" 7-Pd30u"

MM (INCH)		DFTO ANKUE	DATE 7/22/05
TOLERANCES EXCEPT AS NOTED		CHKDSIX	DATE 2006/8/2
		MFO	DATE
		APPVL ARTHUR	DATE 2006/8/2
DETACHED LISTS		MATERIAL :	
MM	±	ANGLES ±	
.0 ±0.20	±	QT'Y :	
.00 ±0.15	±	FINISH :	
.000 ±0.075	±	SCALE :	
THIRD ANGLE PROJECTION			

Pulse A TECHNITROL COMPANY **RoHS Compliant**

FULL RISE ELECTRONIC CO., LTD

TITLE: USB Series A, 4-Position Dip Type

DRAWING NO. **GE813A01-LA** SIZE **A3** REV **3**

/PART NO. SEE NOTE SHEET 1 OF 1

DO NOT SCALE DRAWING