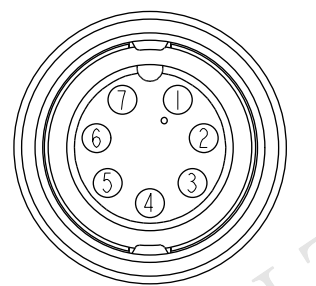
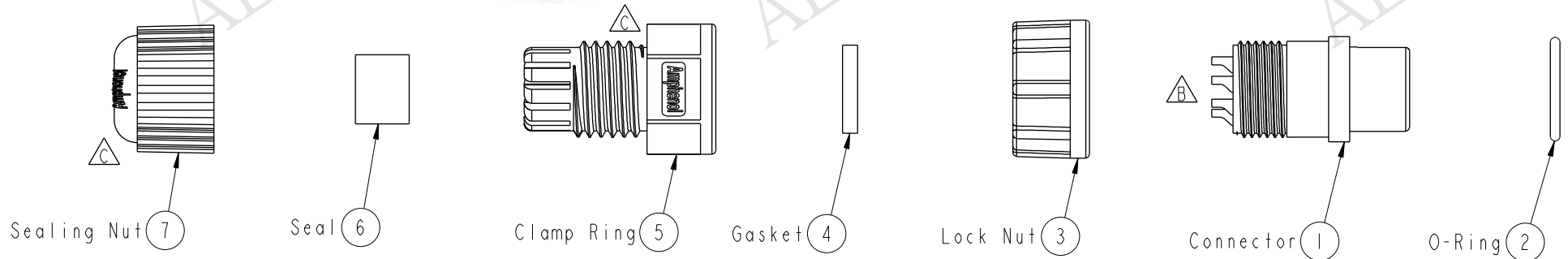


THIS DOCUMENT IS SUBJECT TO CHANGE WITHOUT NOTICE. IT IS CONFIDENTIAL AND A PROPERTY OF AMPHENOL LTW. DISCLOSURE TO THIRD PARTY HAS TO BE AUTHORIZED BY AMPHENOL LTW.

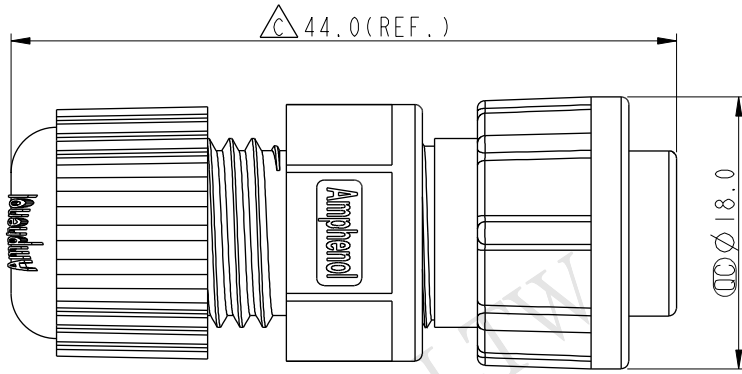
REV.	ECN NO.	DATE	SIGN	DESCRIPTION
B	LEN-0C0590	2010/11/29	Ivan	Change View
C	LEN14C0047	2014/11/24	Vicky	Update Logo & Dimension

**ALTW**  
 CONFIDENTIAL  
 2014-11-24  
 R&D DEPT.

**ALTW**  
 DCC. DEPT.  
 CONFIDENTIAL  
 2014.12.03  
 ISSUED



Pin Assignments  
Front View



- Note:
- \*  $\text{Ⓞ}$  Important Dimension To Check.
  - \* Waterproof Rate: IP67
  - \* Housing: Nylon+GF, Black
  - \* Female Pin: Copper Alloy, Gold Plated
  - \* O-Ring: EPDM, Black
  - \* Lock Nut: Nylon+GF, Black
  - \* Gasket: EPDM, Black
  - \* Clamp Ring: Nylon, Black
  - \* Seal: EPDM, Black
  - \* Sealing Nut: Nylon, Black
  - \* Seal For Cable OD:  $\varnothing 4.5\text{mm} \sim \varnothing 6.5\text{mm}$   
(防水墊圈線徑:  $\varnothing 4.5\text{mm} \sim \varnothing 6.5\text{mm}$ )
  - \* One Set Unassembled In One PE Bag  
(每一組未組裝, 放置於一個PE袋, 並封口)

UNIT:mm 	TITLE Standard 7Pin F Conn. For Assy			ITEM NO BD-07BFFA-LL7001		DRAWN BY Vicky		DATE 2014-11-24	
	TOLERANCE .X $\pm 0.25$ .XX $\pm 0.1$ .XXX $\pm 0.05$ ANGLES $\pm 1^\circ$		SCALE 5:4		SIZE A4		SHEET 1 OF 1		DATE 2014-11-24
REV. C		WC-REV. A.2		$\text{Ⓞ}$ : Inspection item		CHECKED BY Sam		DATE 2014-11-24	
CUSTOMER ALTW				APPROVED BY Rita		DATE 2014-11-24			

**Amphenol LTW**  
 安費諾亮泰企業股份有限公司