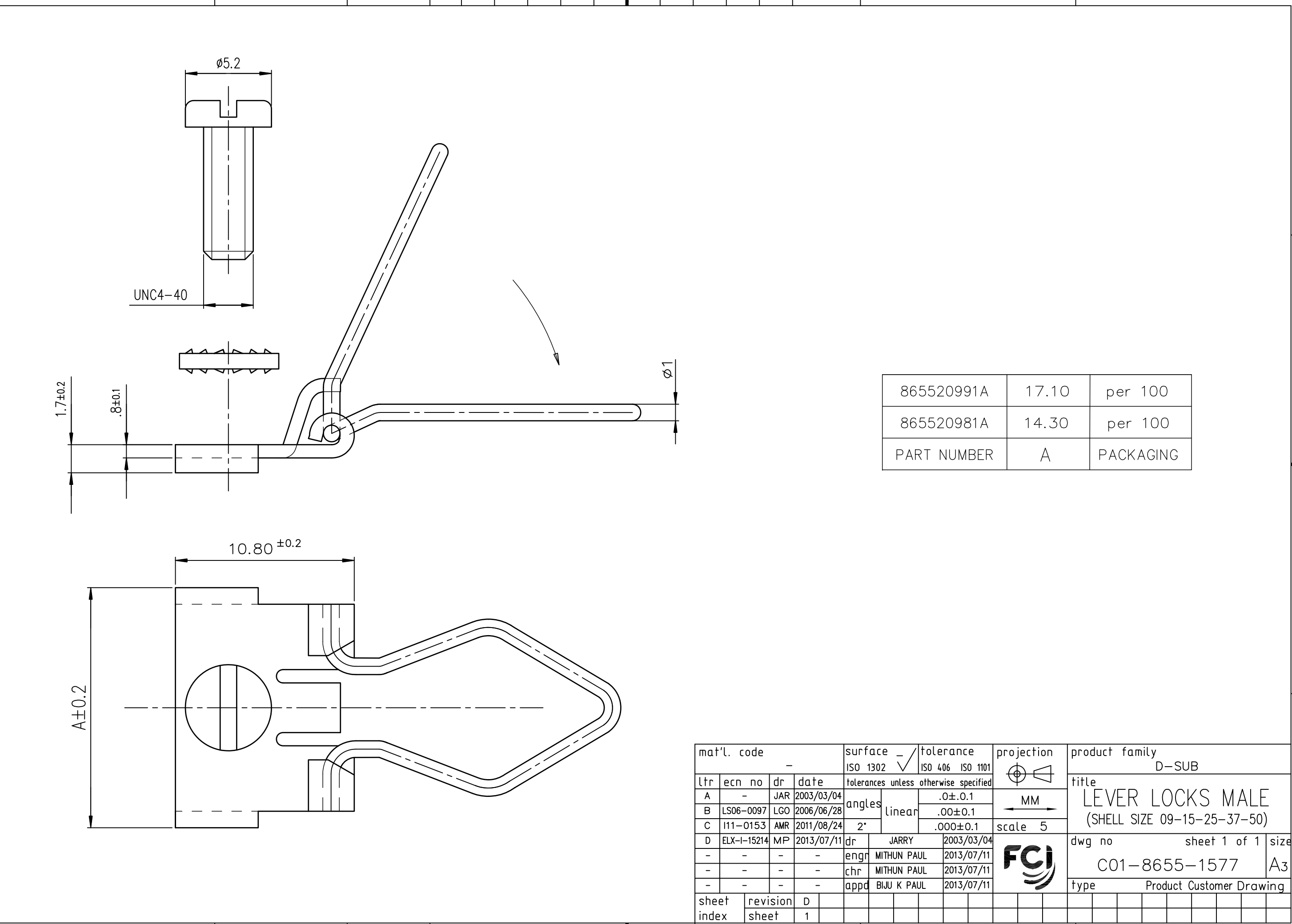




FCIconnect.com

Copyright FCI

D



865520991A	17.10	per 100
865520981A	14.30	per 100
PART NUMBER	A	PACKAGING

mat'l. code		-		surface		ISO 1302		tolerance		projection		product family	
				ISO 406		ISO 1101		tolerances unless otherwise specified		MM		D-SUB	
ltr		ecn no		dr		date		angles		linear		title	
A		-		JAR		2003/03/04		2°		.0±0.1		LEVER LOCKS MALE	
B		LS06-0097		LGO		2006/06/28				.00±0.1		(SHELL SIZE 09-15-25-37-50)	
C		I11-0153		AMR		2011/08/24				.000±0.1		scale 5	
D		ELX-I-15214		MP		2013/07/11		dr		JARRY		2003/03/04	
								engr		MITHUN PAUL		2013/07/11	
								chr		MITHUN PAUL		2013/07/11	
								appd		BIJU K PAUL		2013/07/11	
sheet index		revision sheet		D		1						dwg no	
												sheet 1 of 1	
												size	
												A3	
												type	
												Product Customer Drawing	