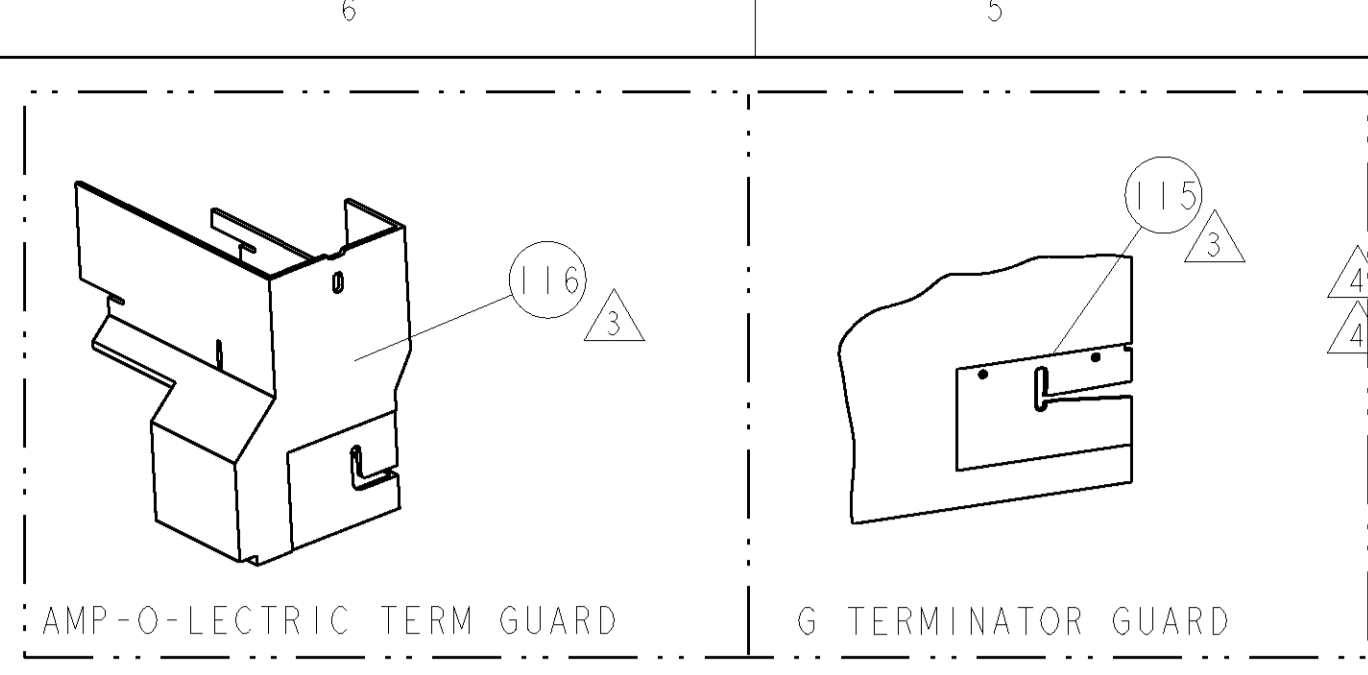


PART NUMBER	REV	FIRST USED	POWER UNIT	FEED TYPE	DESCRIPTION
1855252-1	C	122500-1	LEADMAKER	AIR FEED	CUTS CARRIER
1855252-2	C	565435-5	BENCH MODEL K	AIR FEED	CUTS CARRIER
1855252-3	C	354500-1	BENCH MODEL G	AIR FEED	CUTS CARRIER
1855252-6	C	122500-1	LEADMAKER	AIR FEED	CONTINUOUS CARRIER
7-1855252-7	B	-	-	-	SPARE PARTS

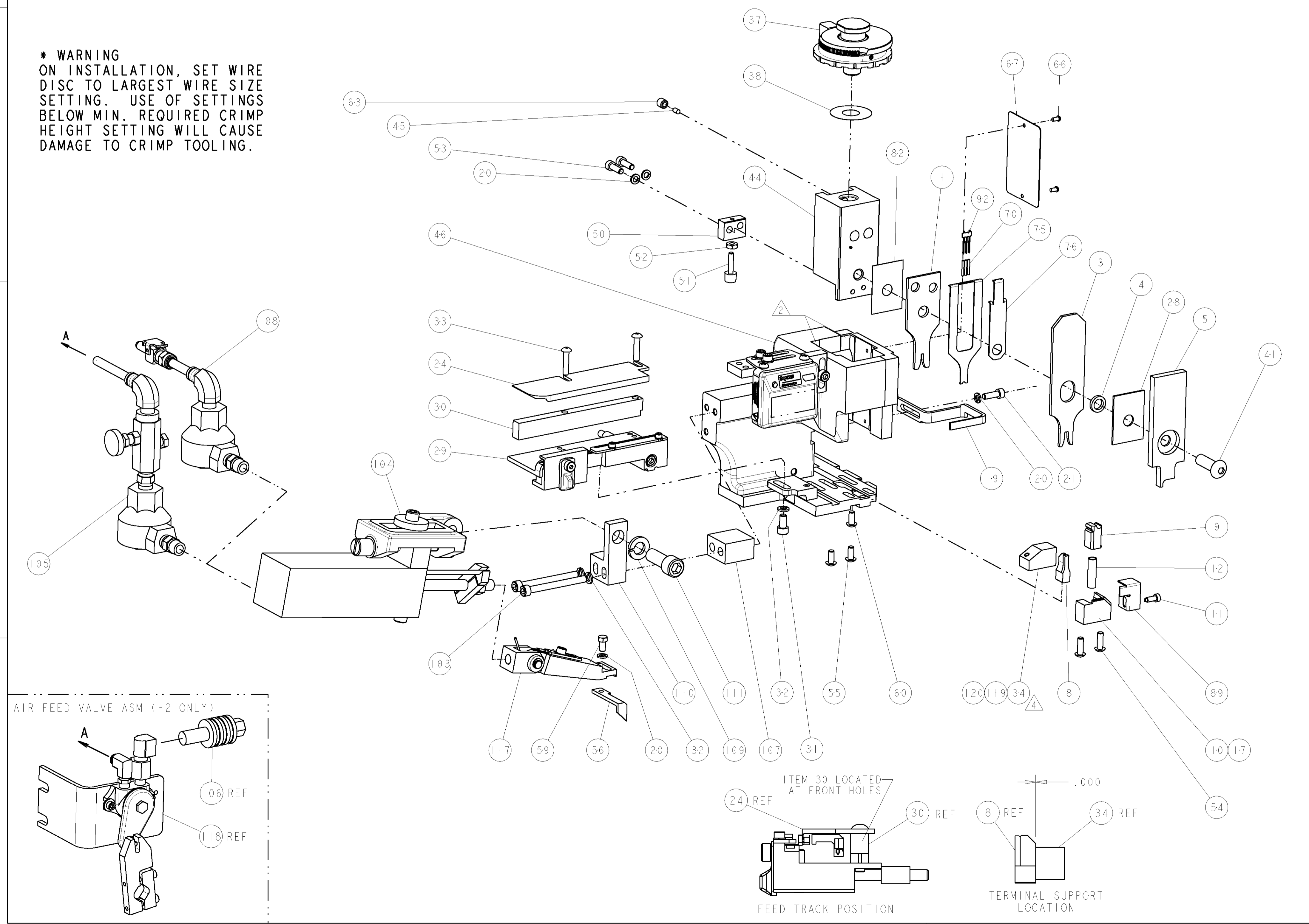


TERMINAL NAME: T-20 MAJOR TERMINAL, SINGLE CRIMP				
TYCO PN	MANUF PN	CHRISTIANA INDUSTRIES TERMINAL - AMP CRIMP SPECS		
1949327-1	1302159			
1949327-2	1302120	CRIMP HEIGHT	WIRE SIZE	REF SETTING
1949327-3	1302160	2.02±0.05mm [.080±.002]	18AWG	B-0
-	-	1.88±0.05mm [.074±.002]	20AWG	C-0
-	-	-	-	-
-	-	-	-	-
-	-	CRIMP	SIZE	TYPE
-	-	WIRE	1.78mm [.070]	F
-	-	INSUL	3.30mm [.130]	F
-	-	-	-	∅.110 MAX
WIRE STRIP LENGTH	TERM APPL SPEC	FEED	APPLICATOR INSTRUCTIONS	SET UP GAGE
.116 - .131	NONE	5	408-8040	458637-1

LOC	DIST	REV	DESCRIPTION	DATE	BY	APPD
A	66					
		A	RELEASED	17APR2007	MEH	GB
		B	ECR 07-014018	12JUN2007	MEH	GB
		C	ECR 07-014378	15JUN2007	MEH	GB

- △ RECOMMENDED SPARE PARTS
- △ GREASE LIGHTLY
- △ GUARD MUST BE IN PLACE WHEN OPERATING APPLICATOR IN A BENCH MACHINE
- △ WHEN RUNNING TERMINAL PN 1949327-1 USE ITEM 119 WHEN RUNNING TERMINAL PN 1949327-2 USE ITEM 34 WHEN RUNNING TERMINAL PN 1949327-3 USE ITEM 120
- △ TERMINAL PN 1949327-1 REQUIRES 1.240 FEED. TERMINAL PN 1949327-2 REQUIRES .800 FEED. TERMINAL PN 1949327-3 REQUIRES 1.000 FEED. ADJUSTMENT IN FEED IS NECESSARY WHEN CHANGING TERMINALS.

*** WARNING**
ON INSTALLATION, SET WIRE DISC TO LARGEST WIRE SIZE SETTING. USE OF SETTINGS BELOW MIN. REQUIRED CRIMP HEIGHT SETTING WILL CAUSE DAMAGE TO CRIMP TOOLING.



△	-	1	1	1	1	1	5-690786-3	SUPPORT, TERMINAL	120
△	-	1	1	1	1	1	5-690786-6	SUPPORT, TERMINAL	119
	-	-	-	REF	-	-	692655-6	AIR FEED VALVE ASSEMBLY	118
	-	1	1	1	1	1	461062-1	FEED FINGER ASSEMBLY	117
△	-	-	-	REF	-	..	455749-1	GUARD WINDOW	116
△	-	-	REF	-	-	..	679532-1	INSERT, GUARD	115
△	-	1	1	1	1	1	3-21001-5	SCR, SKT HD CAP 3/8-16 X 1.000	111
	-	1	1	1	1	1	459610-9	MOUNT, FEED BRACKET	110
	-	1	1	1	1	1	21024-8	WASHER, SPRG LOCK, REG 3/8	109
	-	1	1	1	1	1	692655-7	AIR FEED VALVE ASSEMBLY	108
	-	1	1	1	1	1	461690-1	SPACER, AIR FEED	107
	-	-	-	REF	-	-	24024-2	VALVE, SHUT OFF	106
	-	-	-	1	-	-	692655-5	AIR FEED VALVE ASSEMBLY	105
	-	1	1	1	1	1	461065-2	ASSEMBLY, AIR FEED	104
	-	2	2	2	2	2	4-21000-3	SCR, SKT HD CAP 10-32 X 2.000	103
	-	1	1	1	1	1	1424350-1	HOLDER, PIN, WIRED	92
	-	1	1	1	1	1	318563-1	GUARD, FRONT CHIP	89
	-	1	1	1	1	1	455888-1	SPACER, CRIMPER	82
	-	1	1	1	1	1	1490524-1	DEPRESSOR, SPACER	76
	-	1	1	1	1	1	1490525-3	DEPRESSOR, WIRE	75
	-	1	1	1	1	1	4088040	SF APPL INST 408-8040	72
	-	1	1	1	1	1	217238-1	GENERAL INSTRUCTION PKG	71
	-	3	3	3	3	3	2-23147-2	SPRING, COMPRESSION	70
	-	1	1	1	1	1	461264-5	PLATE, IDENTIFICATION	67
	-	2	2	2	2	2	21017-2	SCREW, DRIVE	66
	-	1	1	1	1	1	21009-2	SCR, SET, SELF LOCKING 1/4-20 X .250	63
	-	1	1	1	1	1	22733-8	SCR, BHSC, SELF-LOCKING, 8-32 X .375	60
	-	1	1	1	1	1	2-22603-0	SCR, HEX HD CAP 8-32 X .312	59
	-	1	1	1	1	1	4-694433-7	FEED PAWL	56
	-	2	2	2	2	2	2-21002-1	SCR, BTN SKT HD CAP 8-32 X .375	55
	-	2	2	2	2	2	2-21002-2	SCR, BTN SKT HD CAP 8-32 X .500	54
	-	2	2	2	2	2	2-21000-7	SCR, SKT HD CAP 8-32 X .500	53
	-	1	1	1	1	1	21018-5	NUT, HEX, REG 6-32	52
	-	1	1	1	1	1	811242-2	BUMPER, HOLD DOWN	51
	-	1	1	1	1	1	690753-1	SPACER, TONKER	50
	-	1	1	1	1	1	1633399-1	APPL., BASIC AIR FEED SUB ASSY	46
	-	1	1	1	1	1	690191-1	PLUG, NYLON	45
	-	1	1	1	1	1	1-455673-4	RAM, SIDE FEED	44
	-	1	1	1	1	1	7-21002-9	SCR, BTN SKT HD CAP 5/16-24 X 1.00	41
	-	1	1	1	1	1	469367-3	SHIM	38
	-	1	1	1	1	1	879103-3	FINE ADJUST HEAD ASSEMBLY	37
△	-	1	1	1	1	1	1-690786-5	TERMINAL SUPPORT	34
	-	2	2	2	2	2	2-21002-4	SCR, BTN SKT HD CAP 8-32 X .750	33
	-	3	3	3	3	3	21024-5	WASHER, SPRG LOCK, REG NO 10	32
	-	1	1	1	1	1	3-21000-4	SCR, SKT HD CAP 10-32 X .375	31
	-	1	1	1	1	1	1320908-8	SPACER, STRIP GUIDE	30
	-	1	1	1	1	1	1-1633091-2	ASSEMBLY, STRIP GUIDE	29
	-	1	1	1	1	1	1-455888-0	SPACER, CRIMPER	28
	-	1	1	1	1	1	1-1320928-3	PLATE, STRIP GUIDE	24
	-	1	1	1	1	1	2-21000-7	SCR, SKT HD CAP 8-32 X .500	21
	-	4	4	4	4	4	21024-4	WASHER, SPRG LOCK, REG NO 8	20
	-	1	1	1	1	1	456468-5	STRIPPER, SPECIAL	19
△	-	1	1	1	1	1	679625-1	SHEAR HOLDER, FRONT (NO CUT)	17
	-	1	1	1	1	1	3-22280-3	SPRING, COMPRESSION	12
	-	1	1	1	1	1	690461-1	STOP, SHEAR	11
△	-	1	1	1	1	1	690459-1	SHEAR HOLDER, FRONT	10
△	-	1	1	1	1	1	462006-1	FLOATING SHEAR, FRONT	9
△	1	1	1	1	1	1	2-1633108-0	ANVIL, COMBINATION .070	8
△	-	1	1	1	1	1	2-455889-0	DEPRESSOR, SHEAR	5
	-	1	1	1	1	1	1-238011-0	BLOCK, CRIMPER SPACER	4
△	1	1	1	1	1	1	4-456134-4	CRIMPER, INSULATION F PREMIUM	3
△	1	1	1	1	1	1	456404-5	CRIMPER, WIRE PREMIUM	1

INCHES	TOLERANCES UNLESS OTHERWISE SPECIFIED:	FINISH	WEIGHT	CUSTOMER DRAWING
0 PLC	±			
1 PLC	±0.1			
2 PLC	±0.01			
3 PLC	±0.001			
4 PLC	±0.0001			
ANGLES	±0.001			

CUSTOMER VIEWABLE ASSEMBLY