

# IN-LINE AND VERTICAL SCREWLESS WIRE CONNECTORS

TE Connectivity's (TE) In-Line connectors are now offered in tray packaging for pick and place insertion for LED driver applications. The In-Line connectors are available in 2 & 3 positions. The Vertical Screwless connectors can also be offered in tray packaging. The Vertical Screwless connectors are available in 2, 4 & 6 staggered positions. Compatible in potable and non-potable applications, with printed circuit board wave solder processes, the connectors allow for insertion of stripped solid conductor wire without special tooling. Designed for permanent connections within OEM assemblies, wire is securely held in place but can be removed with an extraction tool, if required.

## Applications

- Lighting ballast and LED drivers
- Garage door openers
- HVAC controls
- Security systems
- Vending and gaming products

## Electrical

- **Current Rating:** 2A Max
- **Voltage Rating:** 600 VAC Max
- **Dielectric Strength:** 2200 VAC

## Mechanical

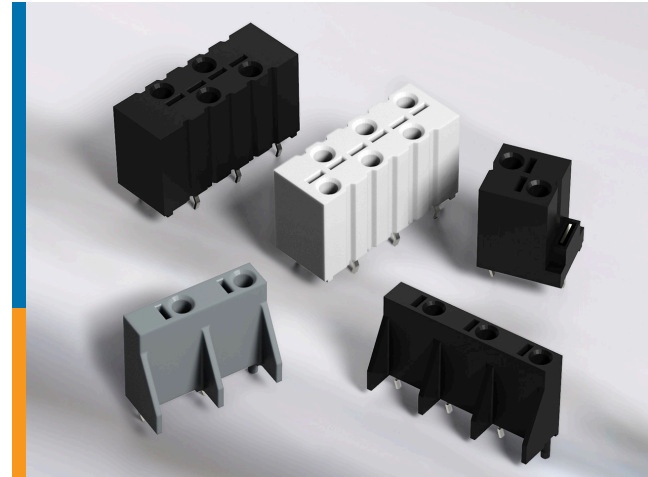
- **Wire Retention:** 5 lb. (22.25 N)
- **Durability:** 5 cycles
- **Pitch:** .138 (3.5 mm) staggered centerline .322 (8.2 mm) in-line centerline
- **-30 °C to 105 °C operating temperature**

## Product Specifications

- **UL 1977**
- **Product Specifications:** 108-2059 Vertical Screwless  
108-2059-1 In-Line Screwless
- **Application Specifications:** 114-13075 Vertical Screwless  
114-13223 In-Line Screwless

## Materials

- **Housing:** UL 94 V-0 rated PBT
- **Contact:** Pre-tin over nickel plate copper alloy

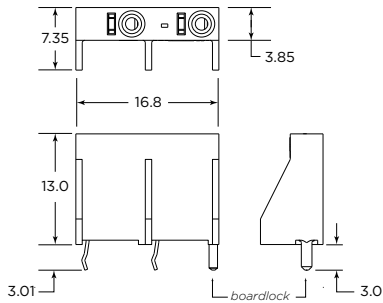


## Key Benefits

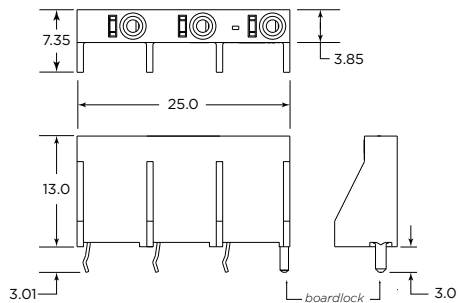
- Eliminates the need to hand solder or fixture and wave-solder wires directly to printed circuit board
- In-line screwless version terminates industry standard 18 AWG solid wire
- Staggered versions terminate industry standard 18-16 AWG solid wire and 18 AWG bonded wire
- Thru-hole solder mount with retention features integral to solder legs for PCB retention
- 2 & 4 position staggered and in-line versions have secondary board locks for additional retention
- Now available in tray packaging (2 & 3 position In-Line Screwless connectors only)

## Dimensions

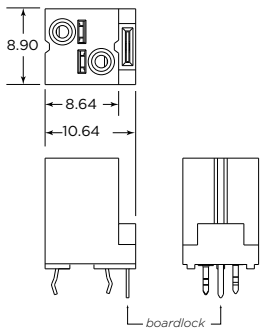
### 2 position in-line screwless wire connector



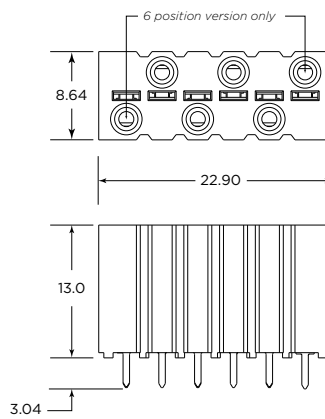
### 3 position in-line screwless wire connector



### 2 position screwless wire connector



### 4 & 6 position screwless wire connector



## Product Selection Information

Part Number	Description
1-2213629-2	2 Position Vertical Screw-less connector in pocket trays
2213629-3	3 Position Vertical Screw-less connector in pocket trays
1-2008552-2	2 position in-line screwless wire connector
2008552-3	3 position in-line screwless wire connector
1811957-1	2 position vertical screwless wire connector with boardlock
1811444-1	4 position vertical screwless wire connector
1811398-1	6 position vertical screwless wire connector

te.com

© 2016 TE Connectivity Ltd. Family of Companies. All Rights Reserved.  
TE, TE Connectivity, and the TE connectivity (logo) are trademarks of the TE Connectivity Ltd. family of companies. Other logos, product and company names mentioned herein may be trademarks of their respective owners.  
1309170-2 JN 1/16

USA: +1 (800) 522-6752  
Canada: +1 (905) 475-6222  
Mexico: +52 (0) 55-1106-0800  
Latin/S. America: +54 (0) 11-4733-2200  
Germany: +49 (0) 6251-133-1999

UK: +44 (0) 800-267666  
France: +33 (0) 1-3420-8686  
The Netherlands: +31 (0) 73-6246-999  
China: +86 (0) 400-820-6015