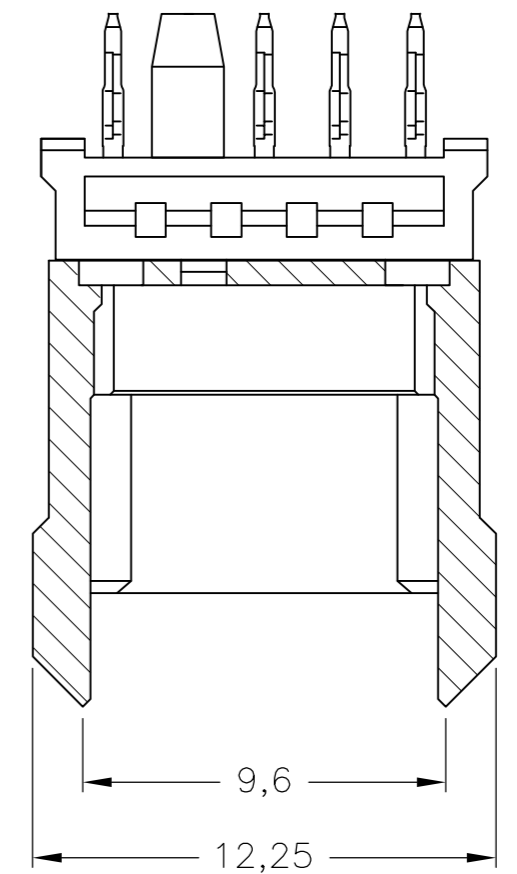
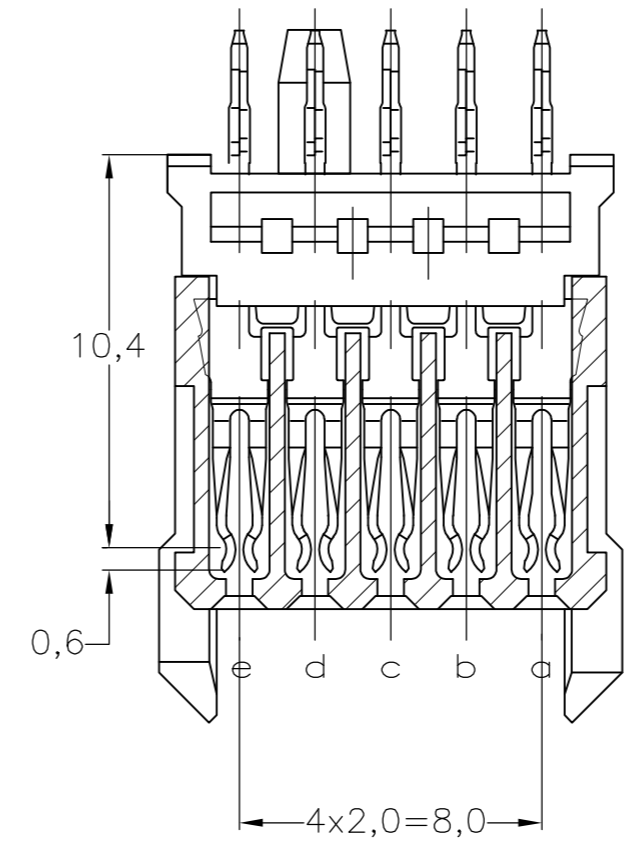
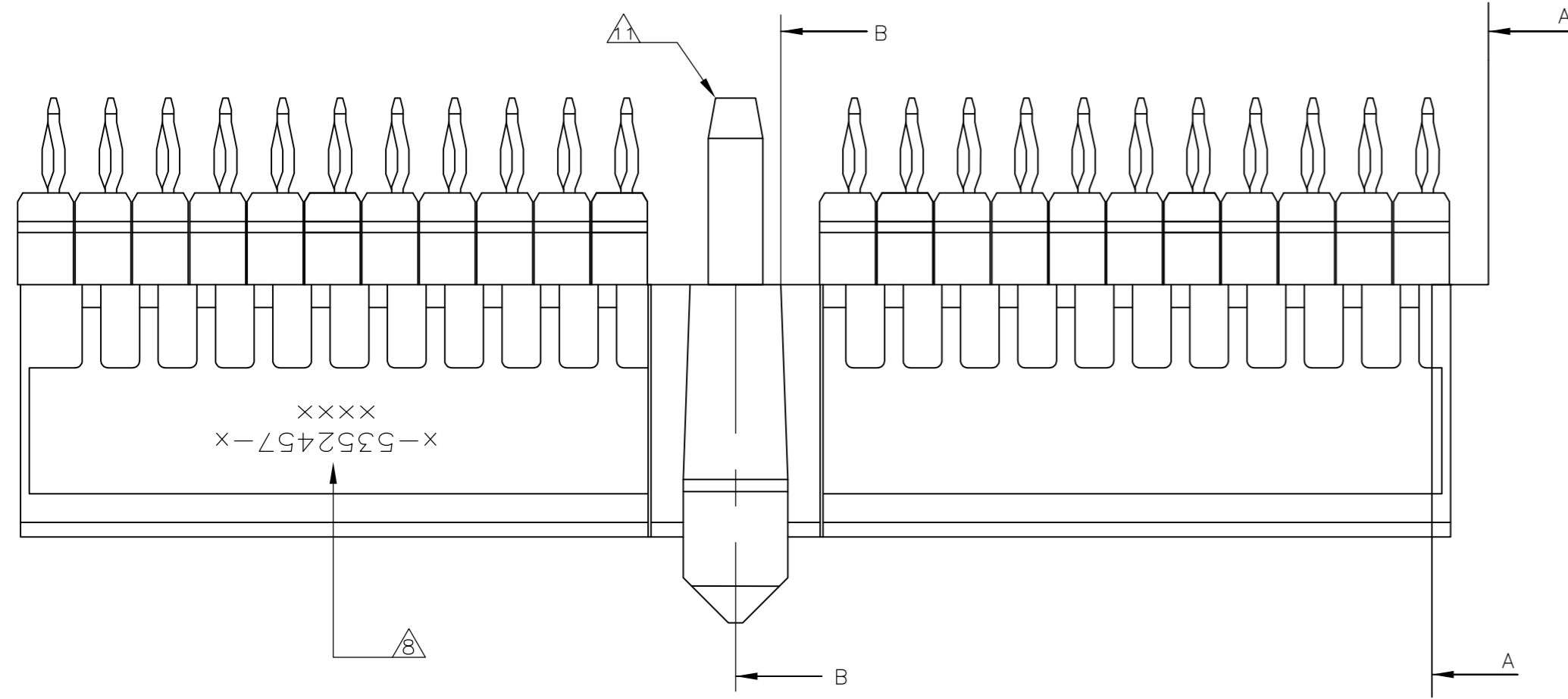


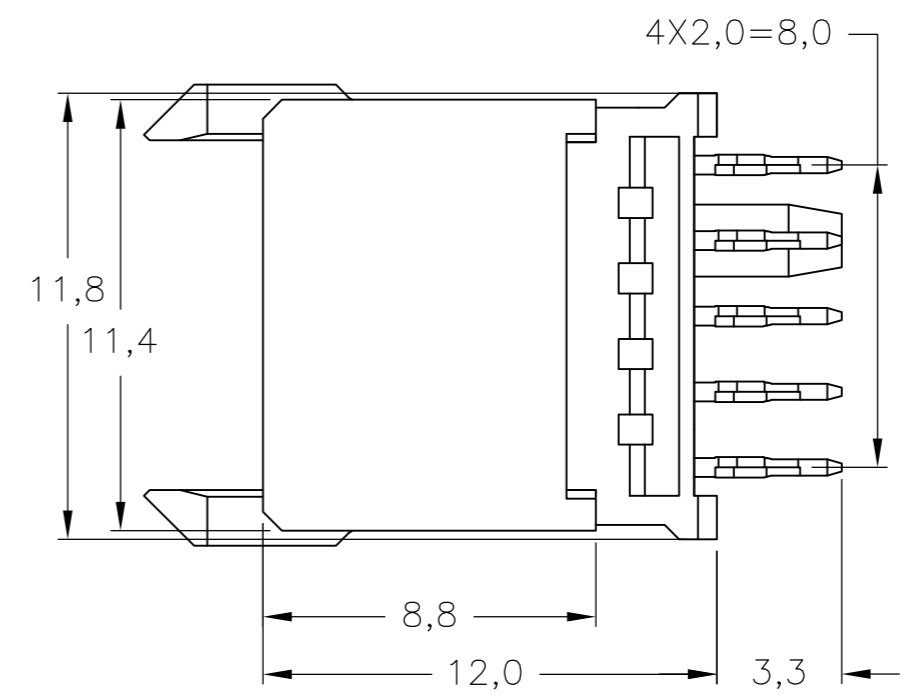
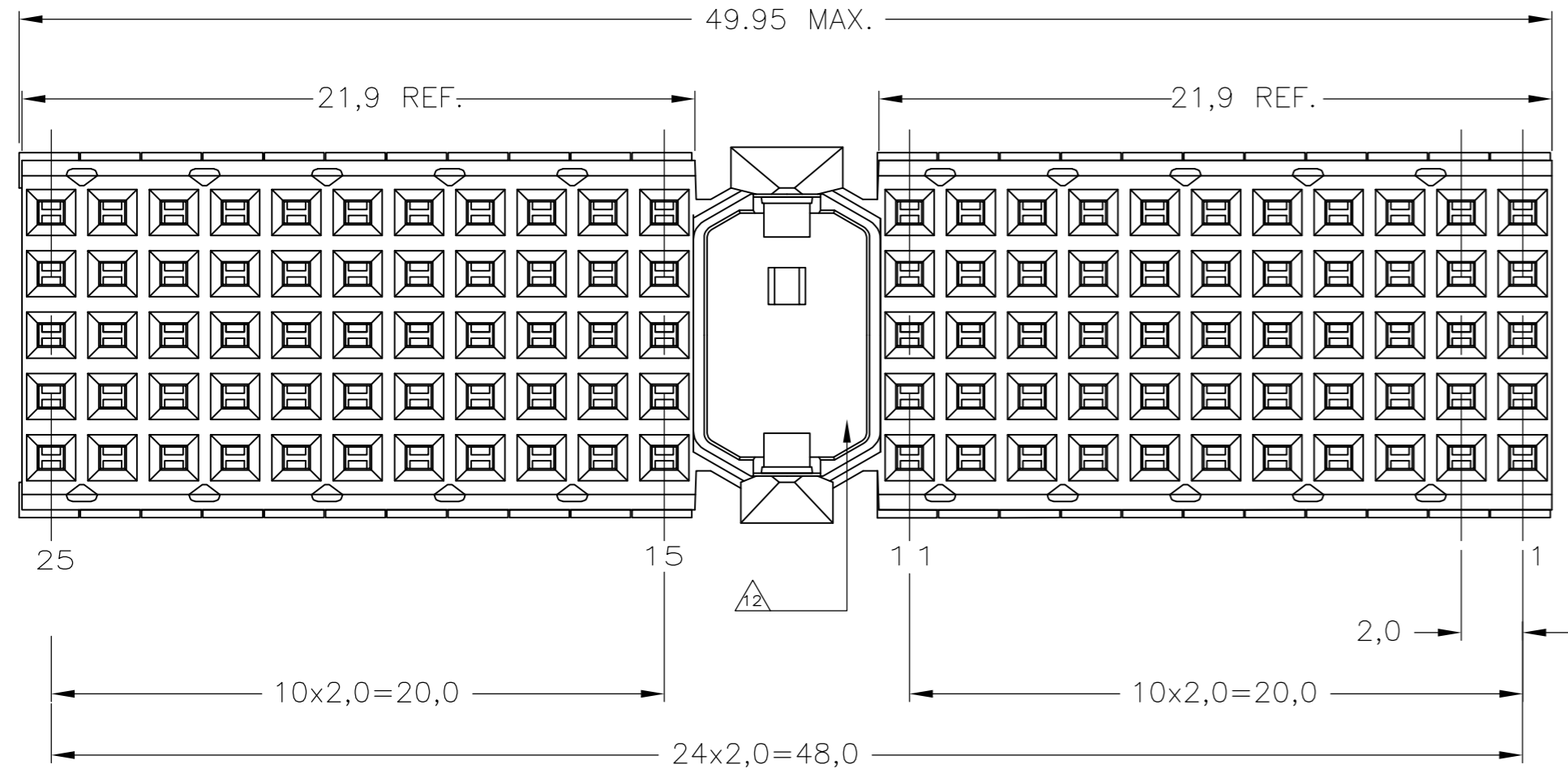
THIS DRAWING IS UNPUBLISHED. RELEASED FOR PUBLICATION
 © COPYRIGHT - By - ALL RIGHTS RESERVED.

LOC		DIST		REVISIONS			
P	LTR	DESCRIPTION	DATE	DWN	APVD		
	D	REVISED PER ECR ECR-11-009918	14MAY11	RC	CW		
	E	ECO-11-024491	13DEC11	SY	MQW		

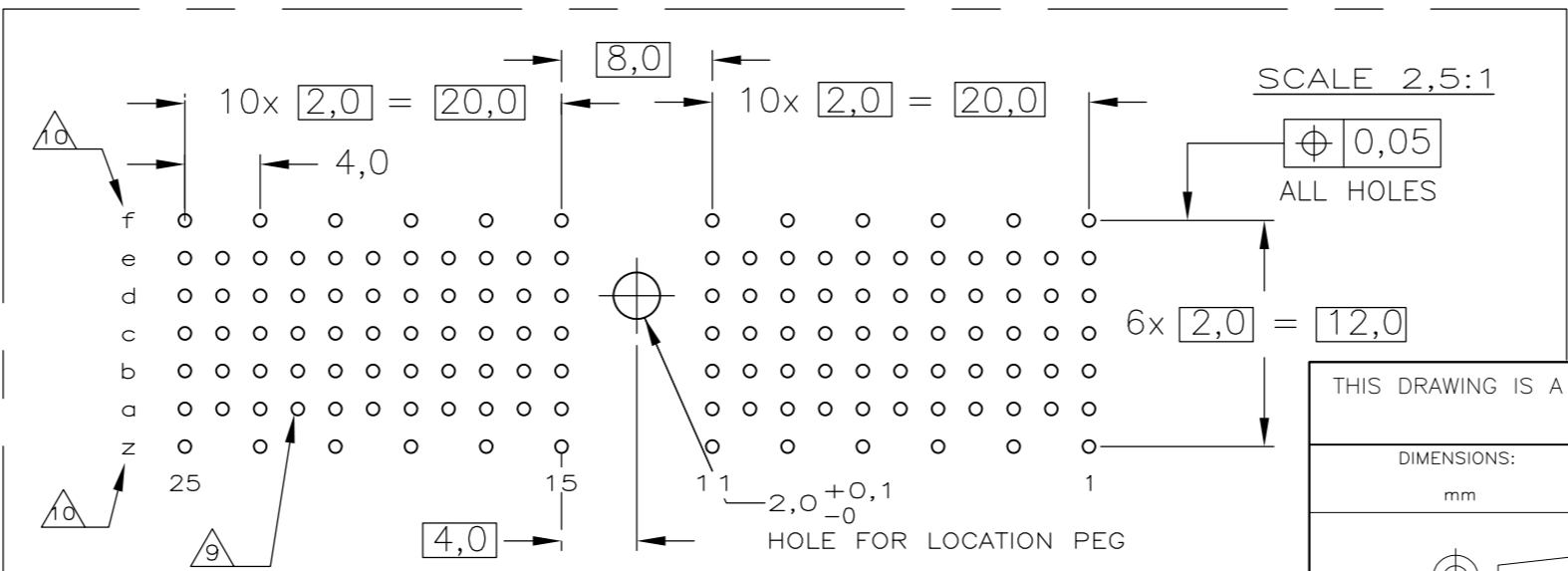


SECTION A-A

SECTION B-B



- NOTES:**
- △ MATERIAL CONTACT; PHOSPHORBRONZE
MATERIAL HOUSING; GLASSFILLED POLYESTER
UL-RATING 94V0 (GRAY).
 - △ GENERAL PLATING SPECIFICATION: UNDERPLATING (ENTIRE CONTACT):
1,27µm NICKEL MIN. AND ACTION PIN: 0,5µm TIN MIN.
FOR PLATING OF MATING SURFACES SEE APPLICABLE SPECIFICATION
REFERENCE FOR EACH DASH NUMBER.
 - △ CONFORMS TO ALL TESTING ACCORDING IEC 61076-4-101
PERFORMANCE LEVEL 2.
 - △ CONFORMS TO ALL TESTING ACCORDING IEC 61076-4-101
PERFORMANCE LEVEL 1.
 - △ CONNECTOR TESTED AND QUALIFIED AGAINST TELCORDIA GR-1217-CORE
QUALITY LEVEL III, CENTRAL OFFICE APPLICATIONS.
 - △ CONNECTOR TESTED AND QUALIFIED AGAINST TELCORDIA GR-1217-CORE
QUALITY LEVEL III, UNCONTROLLED ENVIRONMENT APPLICATIONS.
 - △ CONNECTOR LUBRICATED WITH TELCORDIA GR-1217-CORE
APPROVED LUBRICANT.
 - △ CONNECTOR PRINTED WITH PARTNUMBER AND DATECODE.
 - △ PLATED-THROUGH HOLES AT 2x2mm SQUARE GRID (110 HOLES).
 - △ HOLES IN ROW f AND z FOR POSSIBLE FUTURE USE OF
GROUND RETURN SHIELD. (SHIELDS NOT YET TOOLED)
 - △ LOCATION PEG.
 - △ AREA RESERVED FOR KEYING PART (BASIC P.N.:100526).
 - △ OBSOLETE PARTS: OBSOLETE CIS STREAMLINING PER D.RENAUD/D.SINISI



COMPONENT SIDE AS SHOWN
 RECOMMENDED PCB-HOLE LAY-OUT
 P.C.B. HOLE DIM. ACTION PIN
 FOR DETAILS SEE
 APPLICATION SPECIFICATION

△3 OBSOLETE	△6 △7	△	1-5352457-9
	△4 △5	△	5352457-9
△3 OBSOLETE	△4	△	5352457-4
	△3	△	5352457-1
FINISH		MATERIAL	
PARTNUMBER			

THIS DRAWING IS A CONTROLLED DOCUMENT.

DIMENSIONS:	TOLERANCES UNLESS OTHERWISE SPECIFIED:	DWN	25AUG2004
mm		CHK	27OCT2004
		APVD	27OCT2004
		NAME	
		TE Connectivity	
		Z-PACK 2mm HM TYPE A	
		110 POS. VERTICAL FEMALE CONNECTOR	
		WITH LOCATION PEG	
MATERIAL	FINISH	SIZE	CAGE CODE
		A2	00779
		DRAWING NO	RESTRICTED TO
		C=5352457	
		CUSTOMER DRAWING	SCALE 5:1 SHEET 1 OF 1 REV E