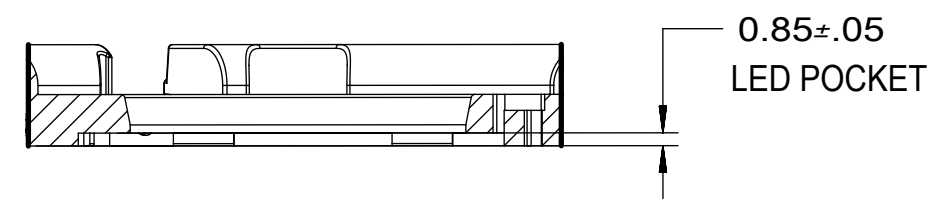
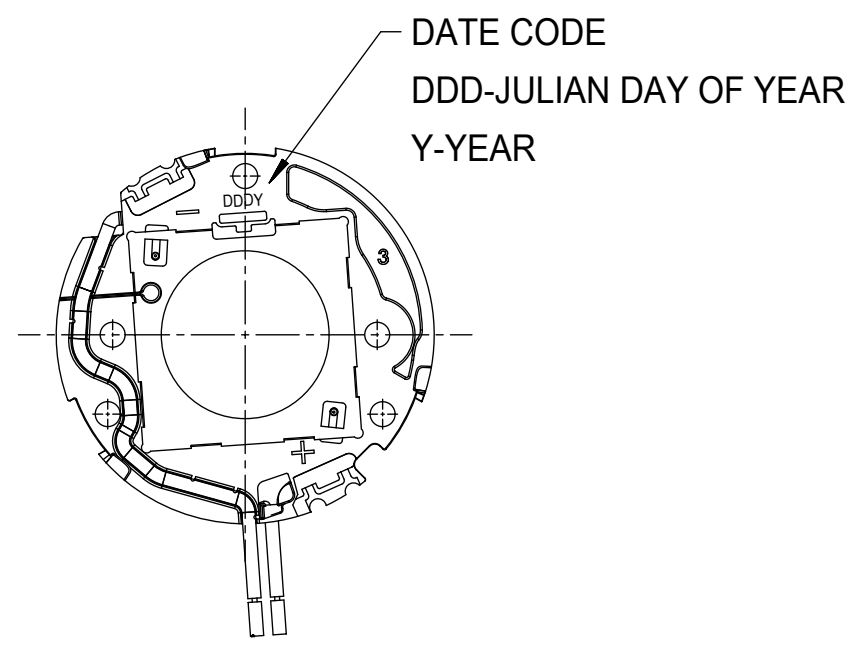
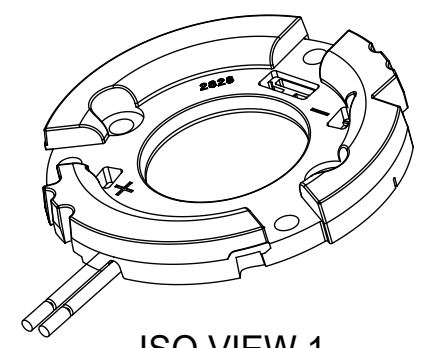


Section X-X



Detail 1  
Scale 2:1



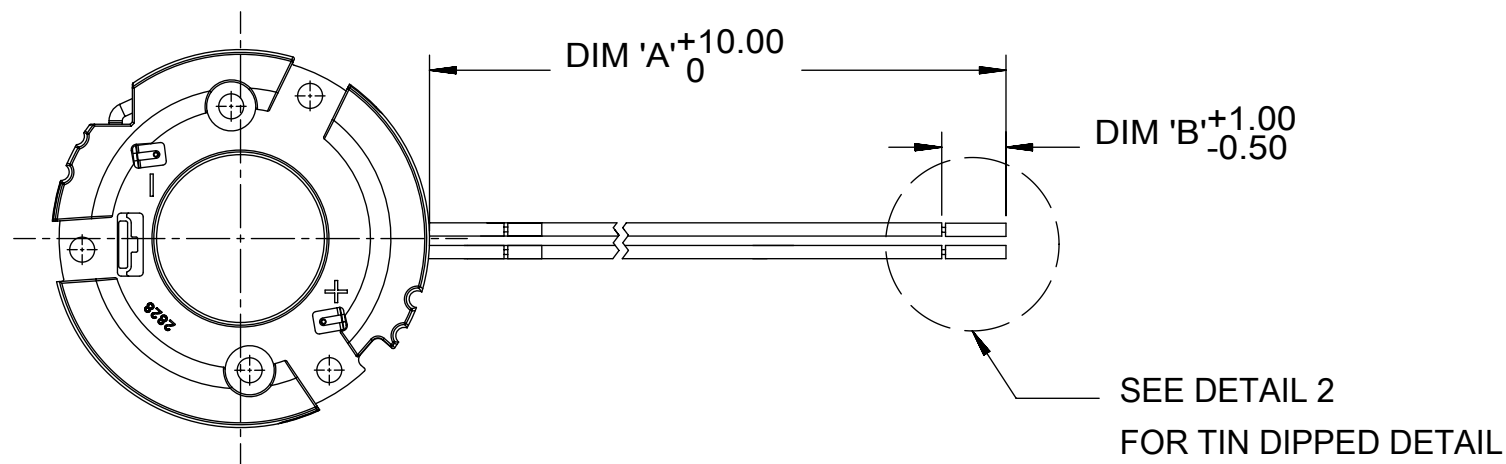
ISO VIEW 1  
SCALE 1:1

- NOTES:
1. MATERIALS: HOUSING: POLYESTER (PBT), GLASS FILLED, UL94 V-0, COLOR: WHITE; TERMINALS: COPPER ALLOY. OPTIONAL: HEAT SHRINK TUBING
  2. PLATING: TERMINAL CONTACT : SELECT GOLD (Au) OVER NICKEL (Ni).
  3. WIRE SPECIFICATION: UL 3266, 125C, 300V, 20AWG
  4. PRODUCT SPECIFICATION: PS-180555-002
  5. PACKAGING SPECIFICATION: PK-180559-013 AND PK-180559-014.
  6. APPLICATION SPECIFICATION: AS-180555-200.
  7. DESIGNED TO BE USED WITH LUMILEDS COB 1211.
  8. MOUNT HOLDER UTILIZING M3 SCREWS, TORQUE: 0.4 MINIMUM NEWTON METERS, 0.8 NEWTON METERS MAX.
  9. UL 8754 RECOGNITION PENDING. FILE NUMBER: TBD
  10. THIS PRODUCT IS ELV AND ROHS COMPLIANT
  11. ALL DIMENSIONS IN PARENTHESIS (XX.XX) ARE FOR REFERENCE ONLY.

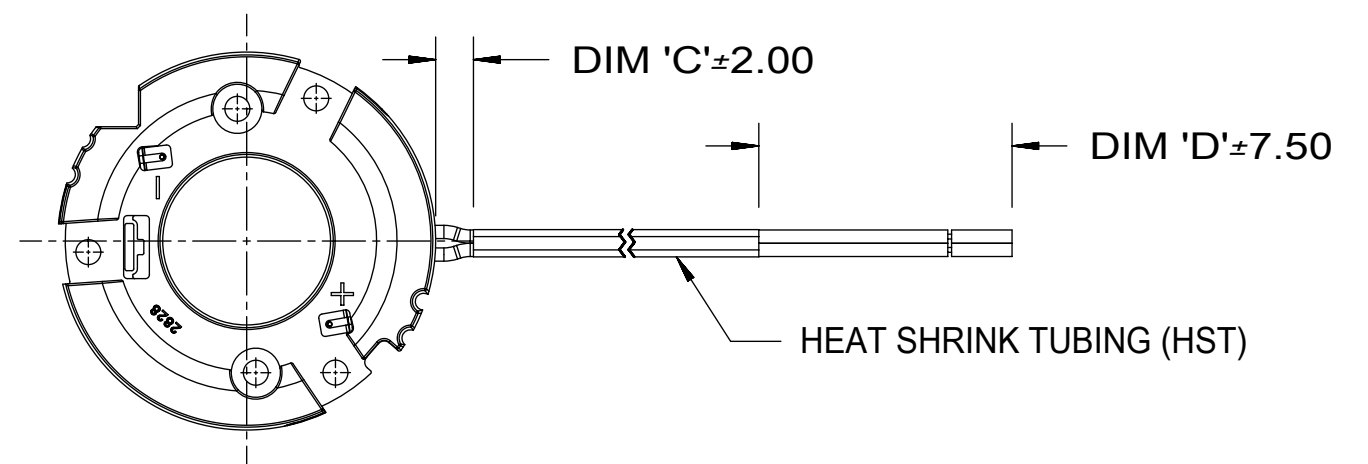
THIS DRAWING CONTAINS INFORMATION THAT IS PROPRIETARY TO MOLEX ELECTRONIC TECHNOLOGIES, LLC AND SHOULD NOT BE USED WITHOUT WRITTEN PERMISSION												
<b>QUALITY SYMBOLS</b> 	EC NO: 108665 DRWN: LZABJANOVSKI CHKD: APPR: GMEYER	2016/09/08 2016/09/21	GENERAL TOLERANCES (UNLESS SPECIFIED)		DIMENSION UNITS	SCALE	  SLIMRAY COB HOLDER 28MM X 28MM ASSEMBLY  PRODUCT CUSTOMER DRAWING					
			ANGULAR TOL ± 0.5 °		MM	1:1						
			4 PLACES ±	DRWN BY DATE		MDEVITO001						2015/02/25
			3 PLACES ±	CHK'D BY DATE		GMEYER						2015/04/15
2 PLACES ± 0.13	APP'R BY DATE		GMEYER	2015/04/15	SERIES		MATERIAL NUMBER		CUSTOMER			
1 PLACE ± 0.25	DRAWING SIZE		B	THIRD ANGLE PROJECTION	180555	SEE CHART		GENERAL MARKET				
0 PLACES ±	DRAFT WHERE APPLICABLE MUST REMAIN WITHIN DIMENSIONS				DOCUMENT NUMBER		DOC TYPE	DOC PART	SHEET NUMBER			
	A3				SD-180555-151		PSD	000	1 OF 3			

RELEASE STATUS	RELEASE DATE
----------------	--------------

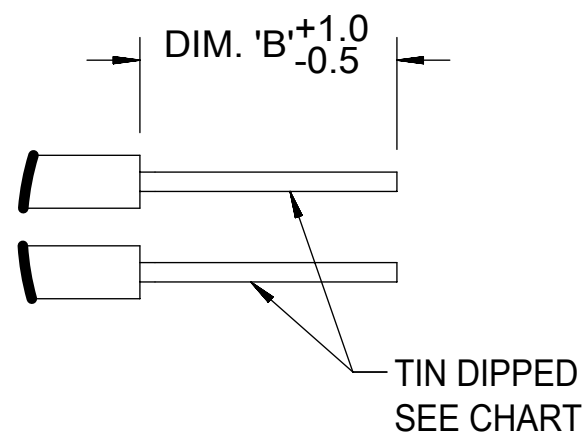
MOLEX PART NUMBER	DESCRIPTION	WIRE LENGTH	WIRE TYPE	FINISH	HEAT SHRINK TUBING	DIM. 'A'	DIM. 'B'	DIM. 'C'	DIM. 'D'
180555-1051	COB HOLDER W/O TUBING	600	STRANDED	TIN DIPPED	NO	600	8.5	X	X
180555-1053	COB HOLDER WITH HST	600	STRANDED	TIN DIPPED	YES (BLK)	600	8.5	5	22.5
180555-1054	COB HOLDER W/O TUBING	250	STRANDED	TIN DIPPED	NO	250	8.5	X	X
180555-1055	COB HOLDER W/O TUBING	700	STRANDED	TIN DIPPED	NO	700	8.5	X	X
180555-1058	COB HOLDER WITH HST	600	STRANDED	TIN DIPPED	YES (WHT)	600	8.5	5	22.5



COB HOLDER WITHOUT HEAT SHRINK TUBING



COB HOLDER WITH HEAT SHRINK TUBING

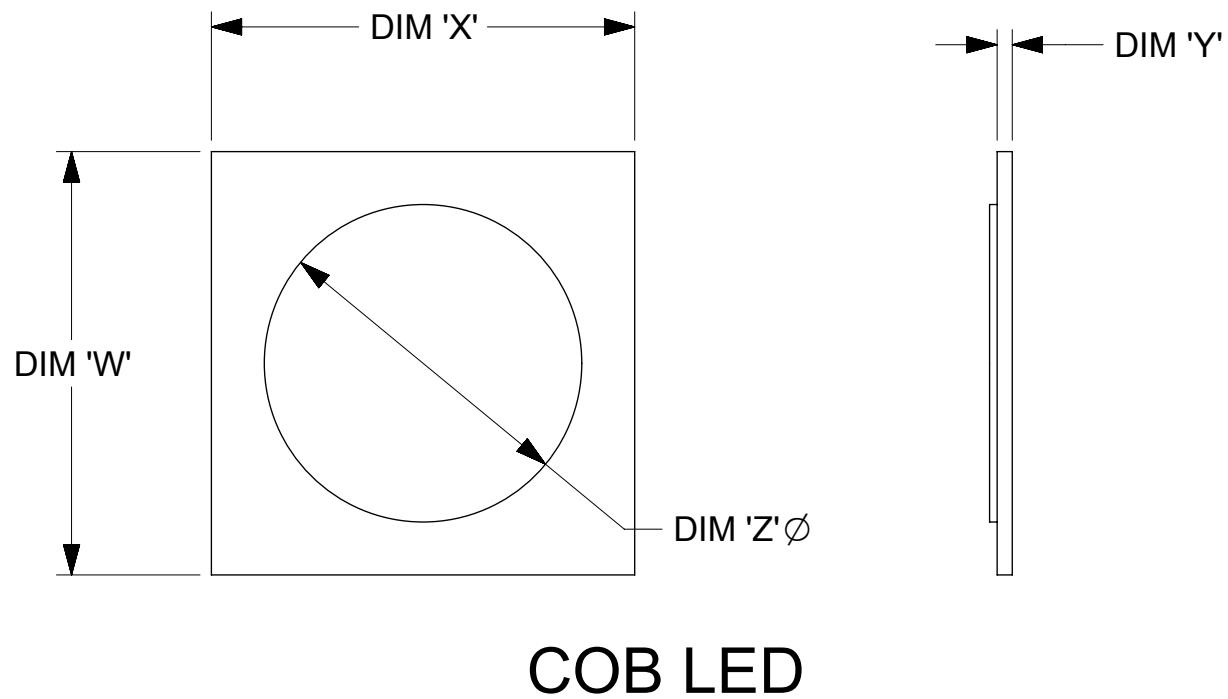


DETAIL 2  
SCALE 4:1

THIS DRAWING CONTAINS INFORMATION THAT IS PROPRIETARY TO MOLEX ELECTRONIC TECHNOLOGIES, LLC AND SHOULD NOT BE USED WITHOUT WRITTEN PERMISSION													
QUALITY SYMBOLS ▽ = 0 ▽ = 0 ▽ = 0 ▼ = 0 ▽ = 0 ⊠ = 0 ■ = 0 ▽ = 0	EC NO: 108665 DRWN: LZABJANOVSKI CHK'D: APPR: GMEYER	2016/09/08 2016/09/21	GENERAL TOLERANCES (UNLESS SPECIFIED)			DIMENSION UNITS	SCALE						
			ANGULAR TOL ± 0.5 °			MM	1:1						
			4 PLACES ±	DRWN BY		DATE		SLIMRAY COB HOLDER 28MM X 28MM ASSEMBLY					
			3 PLACES ±	MDEVITO001		2015/02/25							
			2 PLACES ± 0.13	CHK'D BY		DATE		PRODUCT CUSTOMER DRAWING					
1 PLACE ± 0.25	GMEYER		2015/04/15										
0 PLACES ±	APPR BY		DATE		SERIES	MATERIAL NUMBER	CUSTOMER						
DRAFT WHERE APPLICABLE MUST REMAIN WITHIN DIMENSIONS			GMEYER		2015/04/15		180555	SEE CHART	GENERAL MARKET				
			DRAWING SIZE	THIRD ANGLE PROJECTION		DOCUMENT NUMBER		DOC TYPE	DOC PART	SHEET NUMBER			
			B			SD-180555-151		PSD	000	2 OF 3			

RELEASE STATUS	RELEASE DATE
----------------	--------------

COB MFG	TYPE	DIM 'W'	DIM 'X'	DIM 'Y'	DIM 'Z'
LUMILEDS	LUXEON 1211	28.0	28.0	1.0	21.0



**COB LED**

QUALITY SYMBOLS	THIS DRAWING CONTAINS INFORMATION THAT IS PROPRIETARY TO MOLEX ELECTRONIC TECHNOLOGIES, LLC AND SHOULD NOT BE USED WITHOUT WRITTEN PERMISSION												
▽ = 0	EC NO: 108665 DRWN: LZABJANOVSKI CHK'D: APPR: GMEYER	2016/09/08 2016/09/21	GENERAL TOLERANCES (UNLESS SPECIFIED)		DIMENSION UNITS	SCALE							
▽ = 0			ANGULAR TOL ± 0.5 °		MM	NTS							
▽ = 0			4 PLACES ±	DRWN BY DATE		MDEVITO001					2015/02/25		
▼ = 0					3 PLACES ±	CHK'D BY DATE		GMEYER	2015/04/15	SLIMRAY COB HOLDER 28MM X 28MM ASSEMBLY			
▽ = 0					2 PLACES ± 0.13	APPR BY DATE		GMEYER	2015/04/15				
▽ = 0					1 PLACE ± 0.25	DRAWING SIZE		B	THIRD ANGLE PROJECTION		PRODUCT CUSTOMER DRAWING		
☒ = 0					0 PLACES ±	DRAFT WHERE APPLICABLE MUST REMAIN WITHIN DIMENSIONS				SERIES	MATERIAL NUMBER	CUSTOMER	
■ = 0									180555	SEE CHART	GENERAL MARKET		
▽ = 0									DOCUMENT NUMBER		DOC TYPE	DOC PART	SHEET NUMBER
									SD-180555-151		PSD	000	3 OF 3

RELEASE STATUS	RELEASE DATE
----------------	--------------