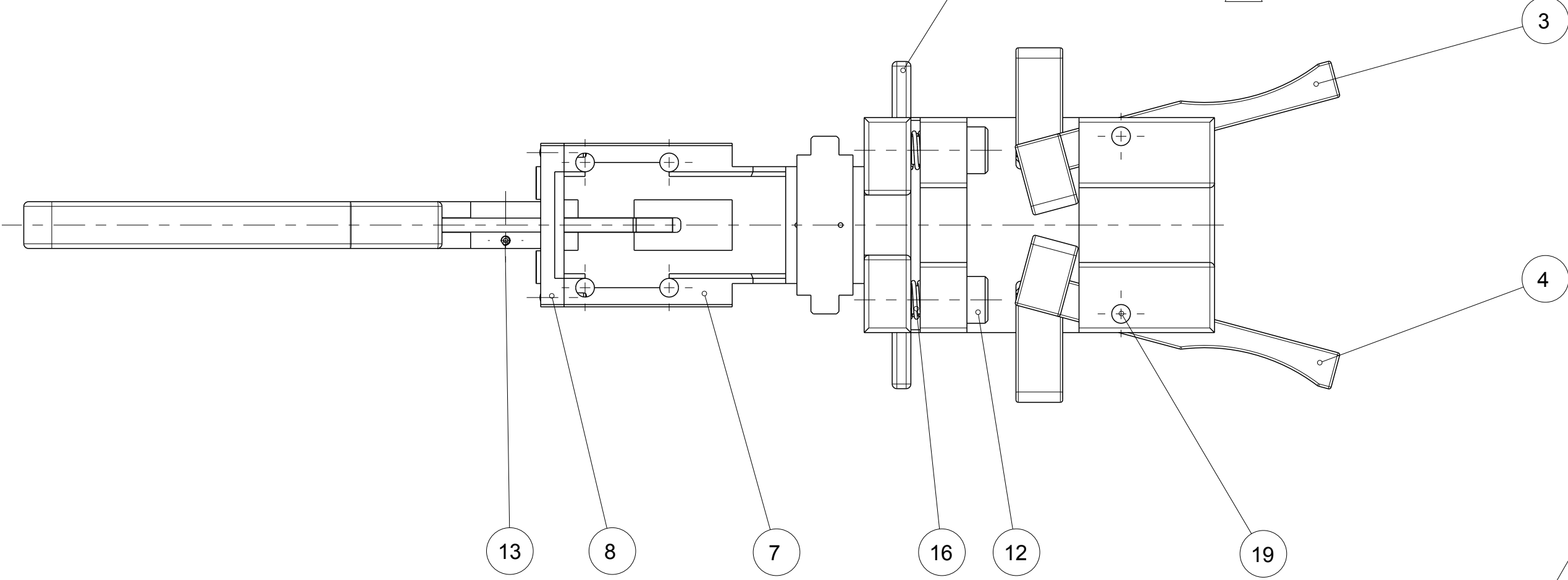
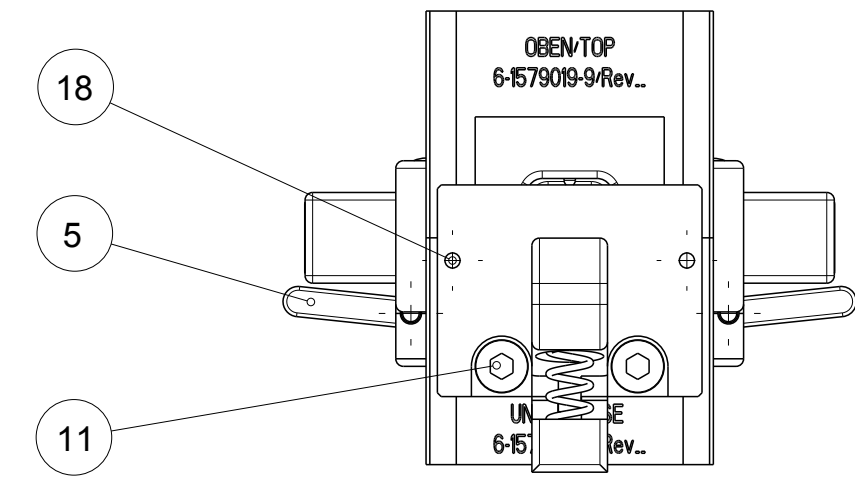
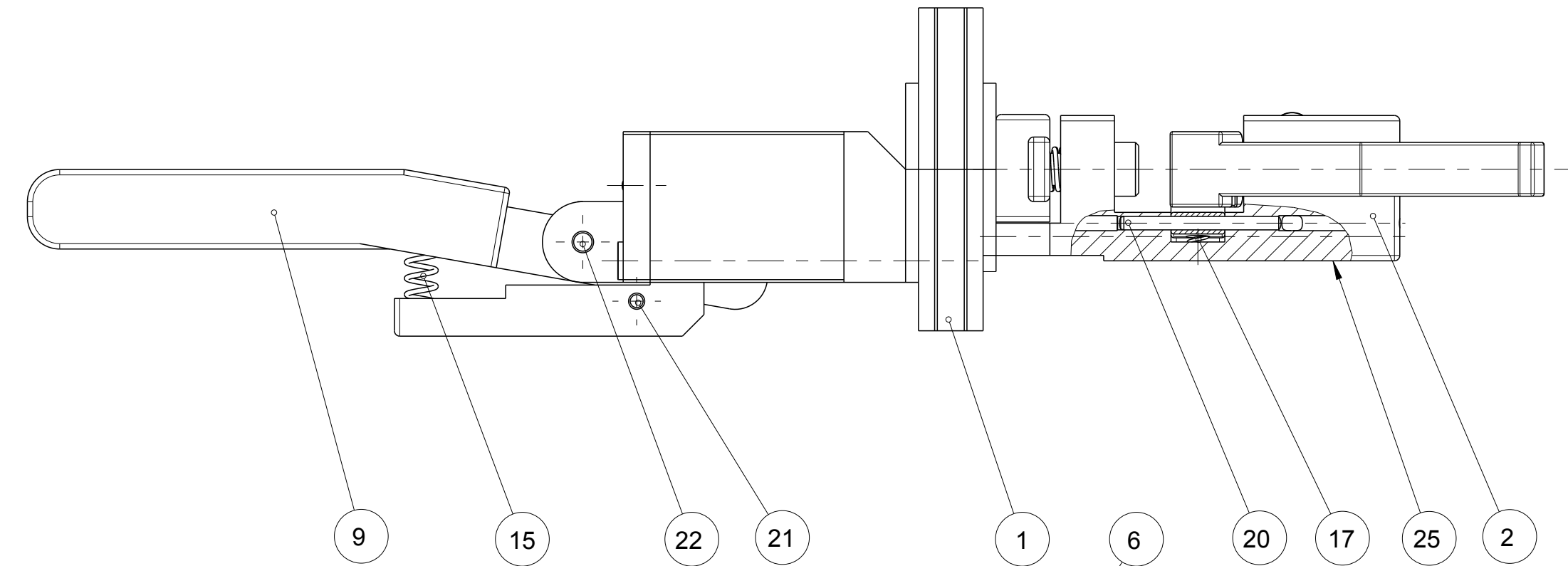
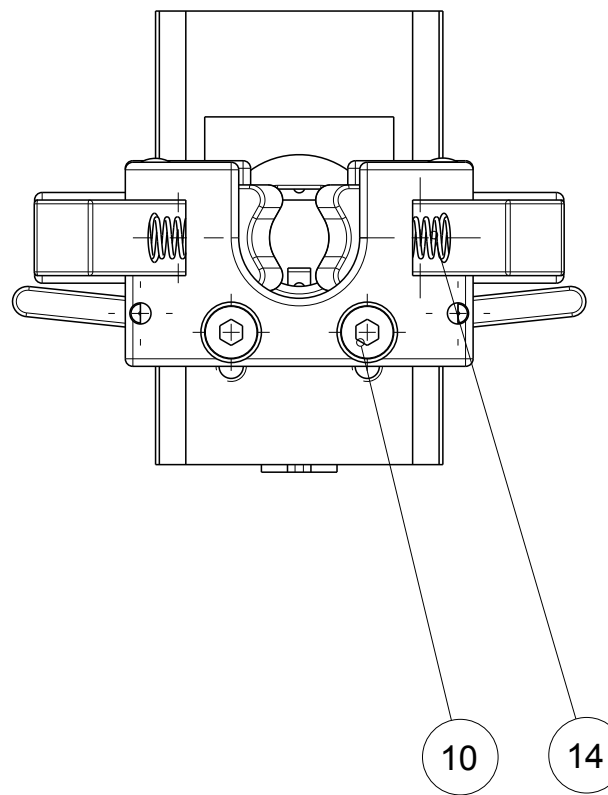


THIS DRAWING IS UNPUBLISHED. RELEASED FOR PUBLICATION 2011
 © COPYRIGHT 2011 Tyco Electronics AMP GmbH ALL RIGHTS RESERVED.

LOC	DIST	REVISIONS			
P	LTR	DESCRIPTION	DATE	DWN	APVD
A1		Prototype	30JUN2011	GS	GS
B		Initial Release	08MAR2012	GS	GS
C		ECR-12-013044	24JUL2012	BM	GS
C1		ECR-13-005243	25MAR2013	LS	GS

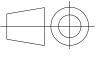


1 POSITION TO STICK ON LABEL ITEM 25

Matrize in Kombination mit hydraulischer Handzange TE PN 9-1579009-1 verwendbar
 Use this die set in combination with hydraulic tool TE PN 9-1579009-1

THIS DRAWING IS A CONTROLLED DOCUMENT		DWN	30JUN2011	 TE Connectivity	NAME DIE SET, LOCATOR HVA630 2PHM,6.0 SQMM Matrize, Aufnahme HVA630 2PHM,6.0 qmm		
DIMENSIONS:		CHK	30JUN2011				
mm		APVD	30JUN2011				
TOLERANCES UNLESS OTHERWISE SPECIFIED:		PRODUCT SPEC	-				
0 PLC ±		APPLICATION SPEC	-	SIZE	CAGE CODE	DRAWING NO	RESTRICTED TO
1 PLC ±		WEIGHT	-	A2	00779	C-1-528041-0	-
2 PLC ±		CUSTOMER DRAWING	-	SCALE	1:1	SHEET	1 OF 2
3 PLC ±				REV	C1		
4 PLC ±							
ANGLES ±1°							
FINISH							

POS	QTY	TE/PN	REV	DESCRIPTION	S=Spare Parts W=Wear Parts	S	W
1	1	6-1579019-9	A	DIE SET HV CONTACTS AK CAT1		<input checked="" type="checkbox"/>	<input checked="" type="checkbox"/>
2	1	1-1722206-8	A	HOLDER HALTER		<input checked="" type="checkbox"/>	<input type="checkbox"/>
3	1	2-0519680-8	A	JAW, RIGHT BACKE, RECHTS		<input checked="" type="checkbox"/>	<input type="checkbox"/>
4	1	2-0519680-9	A	JAW, LEFT BACKE, LINKS		<input checked="" type="checkbox"/>	<input type="checkbox"/>
5	2	0-1722266-8	A	LEVER HEBEL		<input checked="" type="checkbox"/>	<input type="checkbox"/>
6	1	0-0519719-4	A	STOP PLATE		<input checked="" type="checkbox"/>	<input type="checkbox"/>
7	1	1-1722206-9	A	HOLDER		<input checked="" type="checkbox"/>	<input type="checkbox"/>
8	1	0-1722322-3	A	PLATE		<input checked="" type="checkbox"/>	<input type="checkbox"/>
9	1	0-1722266-9	A	LEVER		<input checked="" type="checkbox"/>	<input type="checkbox"/>
10	2	7-0519072-6	A	SCREW, CAP, SOCKET HD, METRIC		<input checked="" type="checkbox"/>	<input type="checkbox"/>
11	2	4-0519072-1	A	SCREW, CAP, SOCKET HD, METRIC		<input checked="" type="checkbox"/>	<input type="checkbox"/>
12	2	0-0519152-2	A	SHOULDER BOLT SCREW PASSSCHRAUBE		<input checked="" type="checkbox"/>	<input type="checkbox"/>
13	1	0-0519014-9	A	SCREW, SET, SOCKET, CUP POINT		<input checked="" type="checkbox"/>	<input type="checkbox"/>
14	2	0-0510500-2	A	SPRING, COMPRESSION		<input checked="" type="checkbox"/>	<input checked="" type="checkbox"/>
15	1	4-0659650-5	A	SPRING, COMPRESSION		<input checked="" type="checkbox"/>	<input checked="" type="checkbox"/>
16	2	8-0659650-5	A	SPRING, COMPRESSION		<input checked="" type="checkbox"/>	<input checked="" type="checkbox"/>
17	2	9-0547505-4	A	SPRING, COMPRESSION		<input checked="" type="checkbox"/>	<input checked="" type="checkbox"/>
18	2	0-0519051-8	A	PIN, DOWEL ZYLINDERSTIFT		<input checked="" type="checkbox"/>	<input type="checkbox"/>
19	2	5-0519051-3	A	PIN, DOWEL ZYLINDERSTIFT		<input checked="" type="checkbox"/>	<input type="checkbox"/>
20	2	2-0519051-7	A	PIN, DOWEL ZYLINDERSTIFT		<input checked="" type="checkbox"/>	<input type="checkbox"/>
21	1	3-0519051-0	A	PIN, DOWEL ZYLINDERSTIFT		<input checked="" type="checkbox"/>	<input type="checkbox"/>
22	1	4-0519051-6	A	PIN, DOWEL ZYLINDERSTIFT		<input checked="" type="checkbox"/>	<input type="checkbox"/>
25	0	0-0519610-3	A	LABEL AUFKLEBER		<input checked="" type="checkbox"/>	<input type="checkbox"/>

REMARKS: Matrize, Aufnahme HVA630 2PHM, 6SQMM							USED ON			
P	LTR	REVISION RECORD	DATE	DWN	APVD	PRINTED	DWN	30JUN11	CHK	APVD
-	A1	SEE SHEET 1	-	-	-	26MAR13	G.SOWA	-	-	-
-	B	SEE SHEET 1	-	-	-	WEIGHT	DIMENSION (mm)	MATERIAL	HT TR	-
-	C	SEE SHEET 1	-	-	-	-	-	-	-	-
-	C1	SEE SHEET 1	-	-	-	 TE Connectivity TOLERANCES UNLESS OTHERWISE SPECIFIED SEE SHEET 1 SPARE AND WEAR PARTS LIST				
THIS DRAWING IS A CONTROLLED DOCUMENT FOR TYCO ELECTRONICS CORPORATION. IT IS SUBJECT TO CHANGE AND THE CONTROLLING ENGINEERING ORGANIZATION SHOULD BE CONTACTED FOR THE LATEST REVISION. DIESES ZEICHNUNGSDOKUMENT WIRD DURCH TYCO ELECTRONICS CORPORATION KONTROLLIERT. ÄNDERUNGEN DIE DEM TECHNISCHEN FORTSCHRITT DIENEN, SIND VORBEHALTEN. DEN JEWEILS LETZTGÜLTIGEN ÄNDERUNGSSTAND ERFAHREN SIE AUF ANFRAGE							NAME DIE SET, LOCATOR HVA630 2PHM, 6SQMM		RESTRICTED TO	
SCALE		SIZE	DRAWING NO		SHEET	REV				
SEE SHEET 1		A4	C-1-528041-0		2/2	C1				