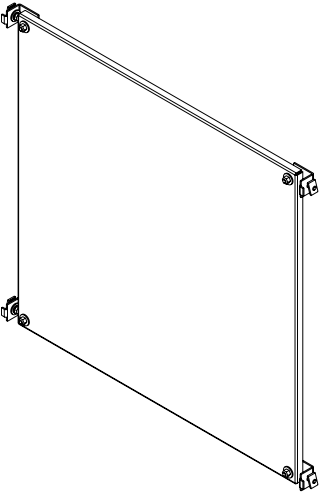
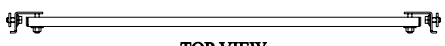
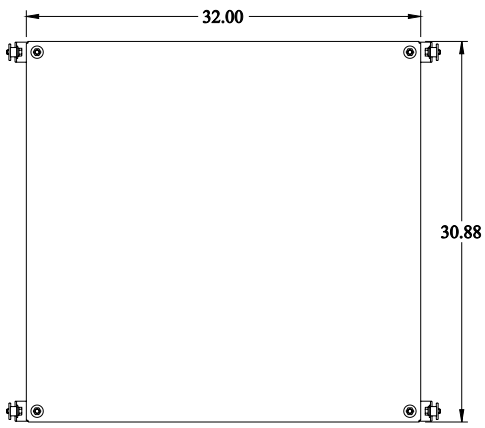
 **PART No. 72YHWG**
for more information visit
www.hammfg.com
Data subject to change without notice
Isometric drawing Not to Scale



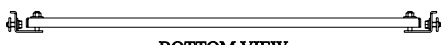
ISOMETRIC VIEW



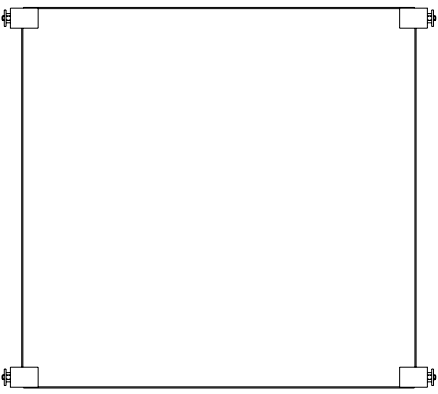
TOP VIEW



FRONT VIEW



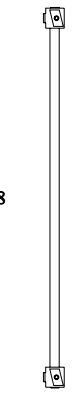
BOTTOM VIEW



REAR VIEW



SIDE VIEW



SIDE VIEW