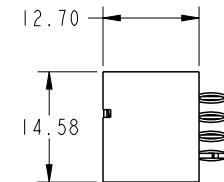
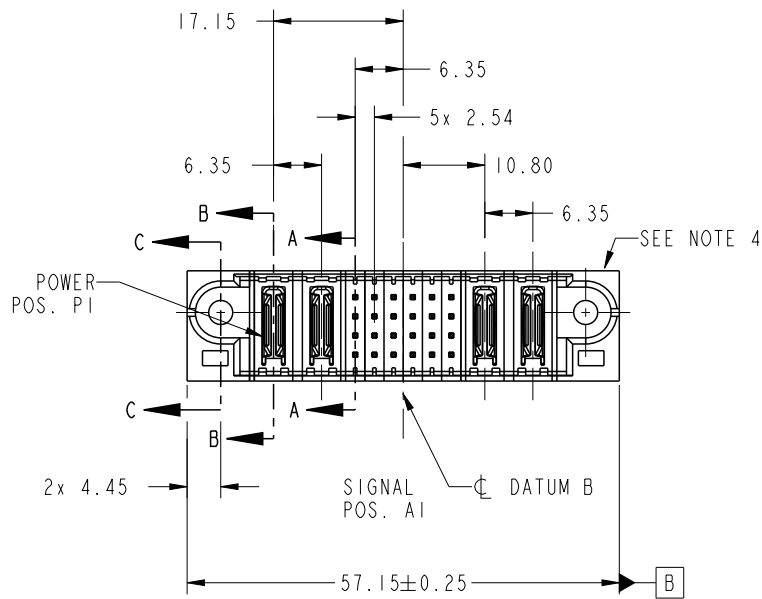


PRODUCT NO.	ROWS	POWER		SIGNAL						POWER			
		E1	P1	P2	1	2	3	4	5	6	P3	P4	E2
51710-063-- NOTE ③	D C B A		PC	PC	K	G	G	G	G	K	PC	PC	



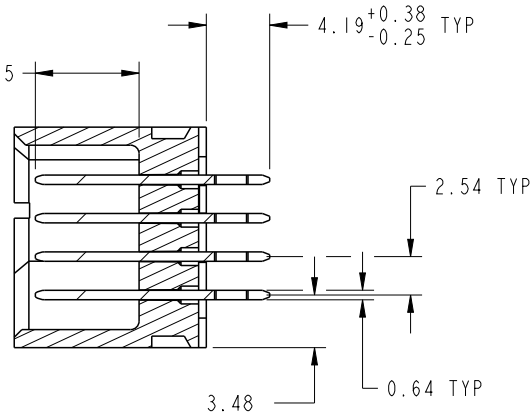
CODE	DIM "M" MATING LENGTH	CONTACT TYPE
PC	[N/A]	POWER
G	[6.86]	SIGNAL
K	[5.59]	SIGNAL
HA	[N/A]	HOLD-DOWN

spec ref	See Notes			dr	Ruan MT	2013/08/08	projection 	MM ←→	size	A4	scale	1:1			
tolerance std	TOLERANCES UNLESS OTHERWISE SPECIFIED			eng	Ruan MT	2013/10/15			ecn no	-					
See Notes				chr	-	-			product family	PwrBlade		rel level	Released		
surface	✓	linear	0.X	±0.50	FCI www.fci.com	title		2P + 24S + 2P		dwg no	51710-063		rev	A	
				0.XX		±0.25	VERTICAL PRESS FIT HEADER								
				0.XXX		±0.10	cat. no.	&model_name	Product - Customer Drw		sheet 1 of 4				
angular			0°	±2°											

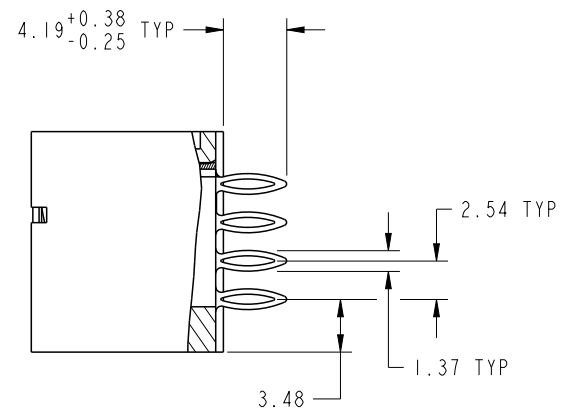
PRODUCT NUMBER

51710-063--
NOTE 3

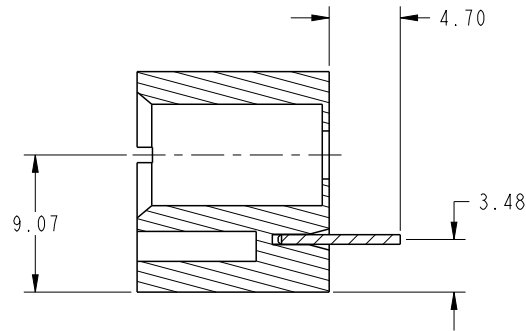
DIM "M" ±0.25



SECTION A-A
SCALE 2:1



SECTION B-B
SCALE 2:1



SECTION C-C
SCALE 2:1

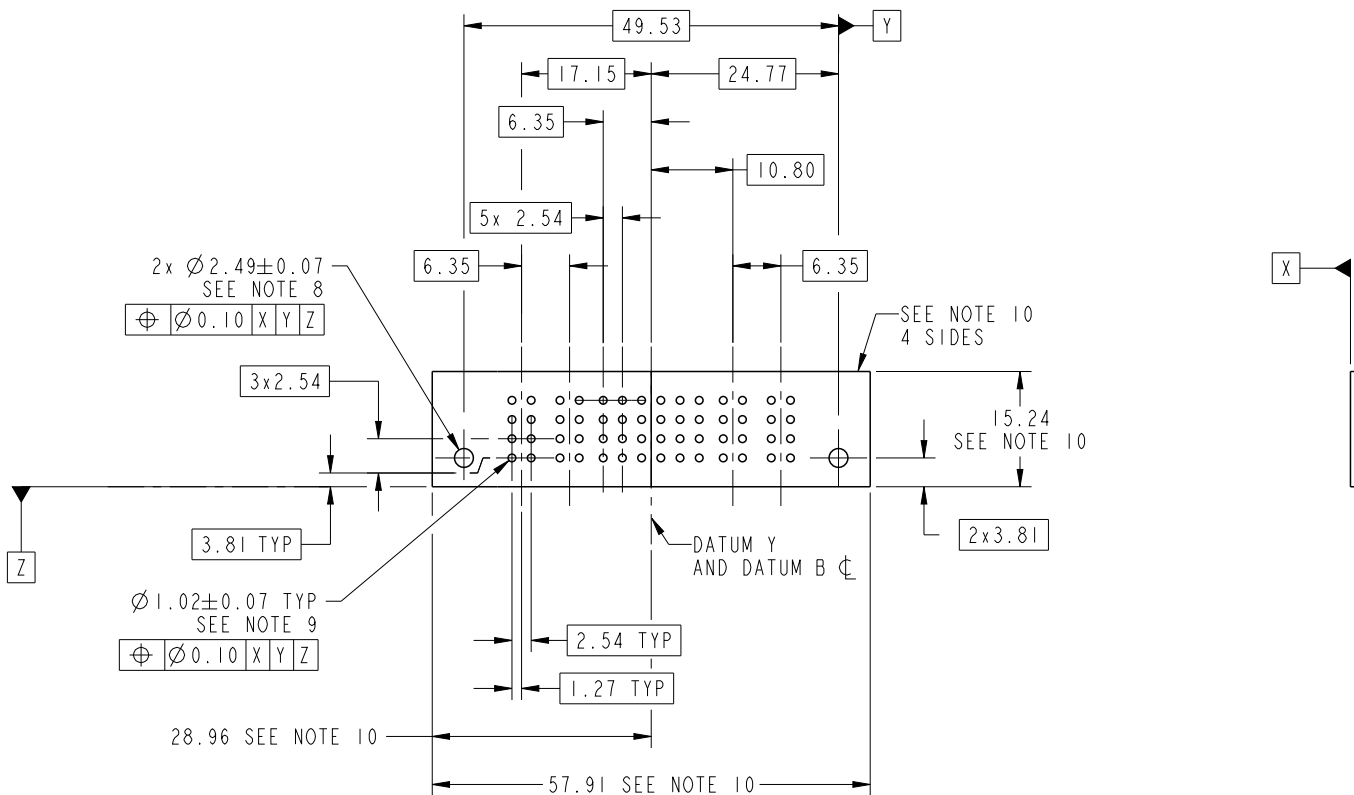
dr	Ruan MT	2013/08/08	projection 	MM 	size	A4	scale	1:1
eng	Ruan MT	2013/10/15			ecn no	-		
chr	-	-			product family	PwrBlade	rel level	Released
appr	Pei-Ming Zheng	2013/10/15			title 2P + 24S + 2P VERTICAL PRESS FIT HEADER	dwg no 51710-063	rev A	
www.fci.com		cat. no.	&model_name	Product - Customer Drw	sheet 2 of 4			



Copyright FCI.

PRODUCT NUMBER

51710-063__
NOTE 3



RECOMMENDED PCB LAYOUT

dr	Ruan MT	2013/08/08	projection 	MM 	size	A4	scale	1:1		
eng	Ruan MT	2013/10/15			ecn no	-				
chr	-	-			rel level	Released				
appr	Pei-Ming Zheng	2013/10/15	product family	PwrBlade						
	title			2P + 24S + 2P		dwg no		51710-063	rev	A
www.fci.com		cat. no.	&model_name	Product - Customer Drw			sheet 3 of 4			

PRODUCT NUMBER

51710-063__
NOTE 3

NOTES:

1. DIMENSIONS AND TOLERANCES ARE IN ACCORDANCE WITH ASME Y14.5M, 1994 UNLESS OTHERWISE SPECIFIED.

CONNECTOR NOTES:

- 2 HOUSING MATERIAL: UL 94 V-0 GLASS FILLED HIGH-TEMP THERMOPLASTIC
POWER CONTACT MATERIAL: COPPER ALLOY
SIGNAL PIN MATERIAL: COPPER ALLOY
- 3. SEE ITEM 3 & 4 IN PRINT 10064183 FOR PLATING SPEC OF 51710-063 AND 51710-063LF RESPECTIVELY.

4 MANUFACTURER'S NAME, DATE CODE AND OPTIONAL P/N TO APPEAR ON THIS SURFACE. THE MARK CAN BE OMITTED IF THERE IS NOT ENOUGH SPACE ON THIS SURFACE.

5. PRODUCT SPECIFICATION GS-12-149.
APPLICATION SPECIFICATION BUS-20-067.

6. PACKAGED IN TRAYS.

PCB NOTES:

- 7. ALL HOLE DIAMETERS ARE FINISHED HOLE SIZE.
- 8. MOUNTING HOLES, WHERE APPLICABLE, ARE UNPLATED.

9 $\varnothing 1.151 \pm 0.025$ DRILLED HOLES PLATED WITH 0.008 MIN SnPb OR Sn OVER .001 [0.03] TO 0.08 Cu PLATING TO ACHIEVE $\varnothing 1.02 \pm 0.07$ HOLE.

10 CONNECTOR KEEP-OUT ZONE.

11. FOR PRESS FIT APPLICATION USE FCI CAM TOOL 430169-XXX.



Copyright FCI.

dr	Ruan MT	2013/08/08	projection 	MM 	size	A4	scale	1:1	
eng	Ruan MT	2013/10/15			ecm no	-			
chr	-	-			product family	PwrBlade	rel level	Released	
appr	Pei-Ming Zheng	2013/10/15			title	2P + 24S + 2P		rev	A
www.fci.com			cat. no.	&model_name	Product - Customer Drw	sheet 4 of 4			
			dwg no	51710-063					