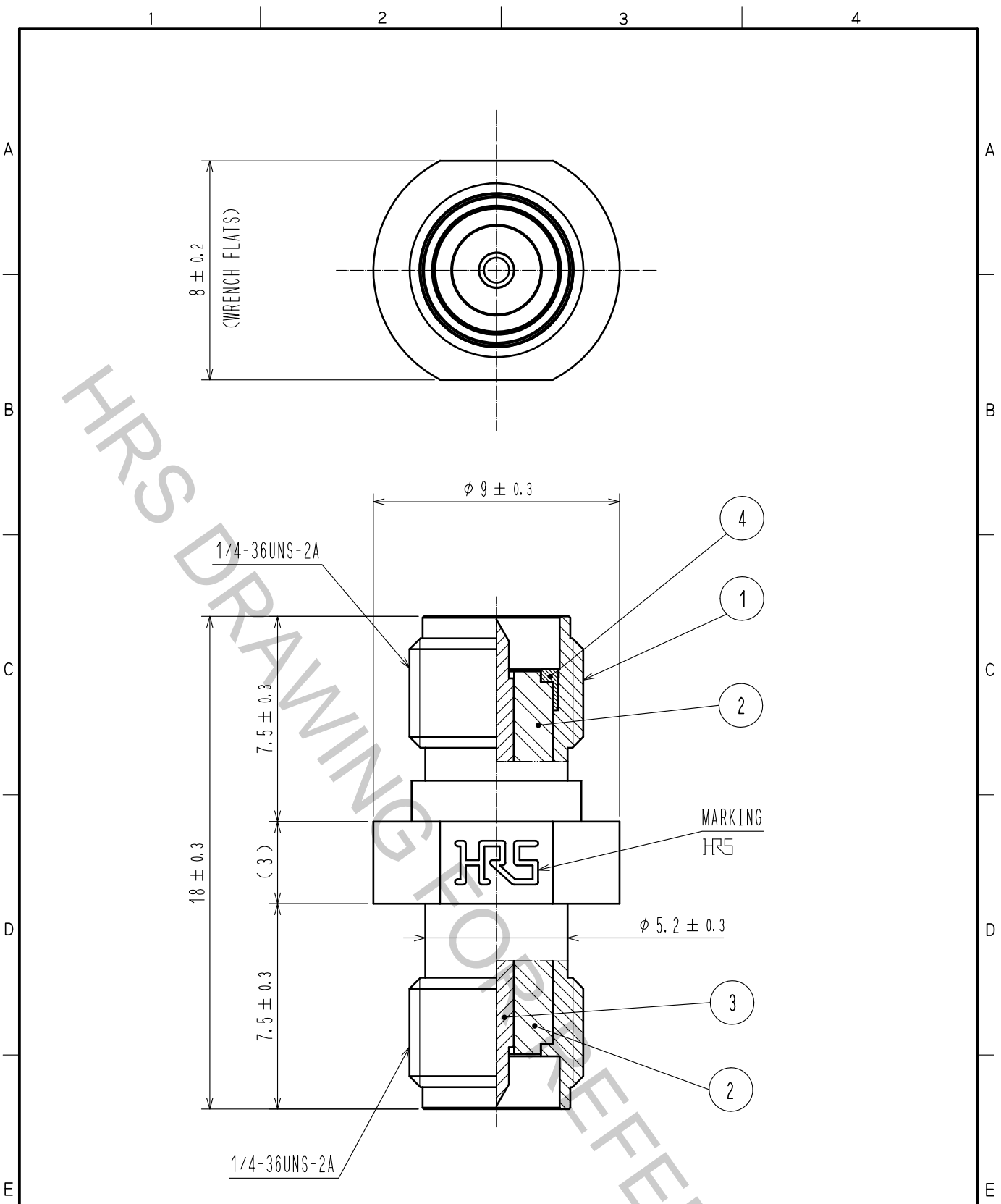


Aug.1.2018 Copyright 2018 HIROSE ELECTRIC CO., LTD. All Rights Reserved.
 In case that the application demands a high level of reliability, such as automotive,
 please contact a company representative for further information.



RoHS COMPLIANT

2	PTFE		4	STAINLESS STEEL	PASSIVATED
1	STAINLESS STEEL	PASSIVATED	3	BRASS	GOLD PLATING
NO.	MATERIAL	FINISH . REMARKS	NO.	MATERIAL	FINISH . REMARKS
UNITS mm		SCALE 5 : 1	COUNT 	DESCRIPTION OF REVISIONS	DESIGNED
					CHECKED
					DATE
HRS HIROSE ELECTRIC CO., LTD.	APPROVED	: TO. KATAYAMA	17. 08. 30	DRAWING NO.	EDC-379044-00-00
	CHECKED	: KY. SHIMIZU	17. 08. 30	PART NO.	SMA(R)-A-JJ
	DESIGNED	: TY. OZAKI	17. 08. 30	CODE NO.	CL323-0124-0-00
	DRAWN	: TY. OZAKI	17. 08. 30		