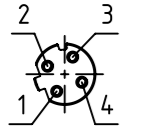
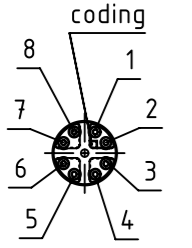
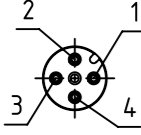
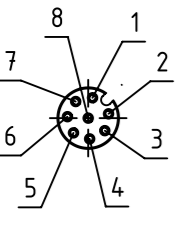
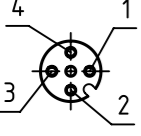
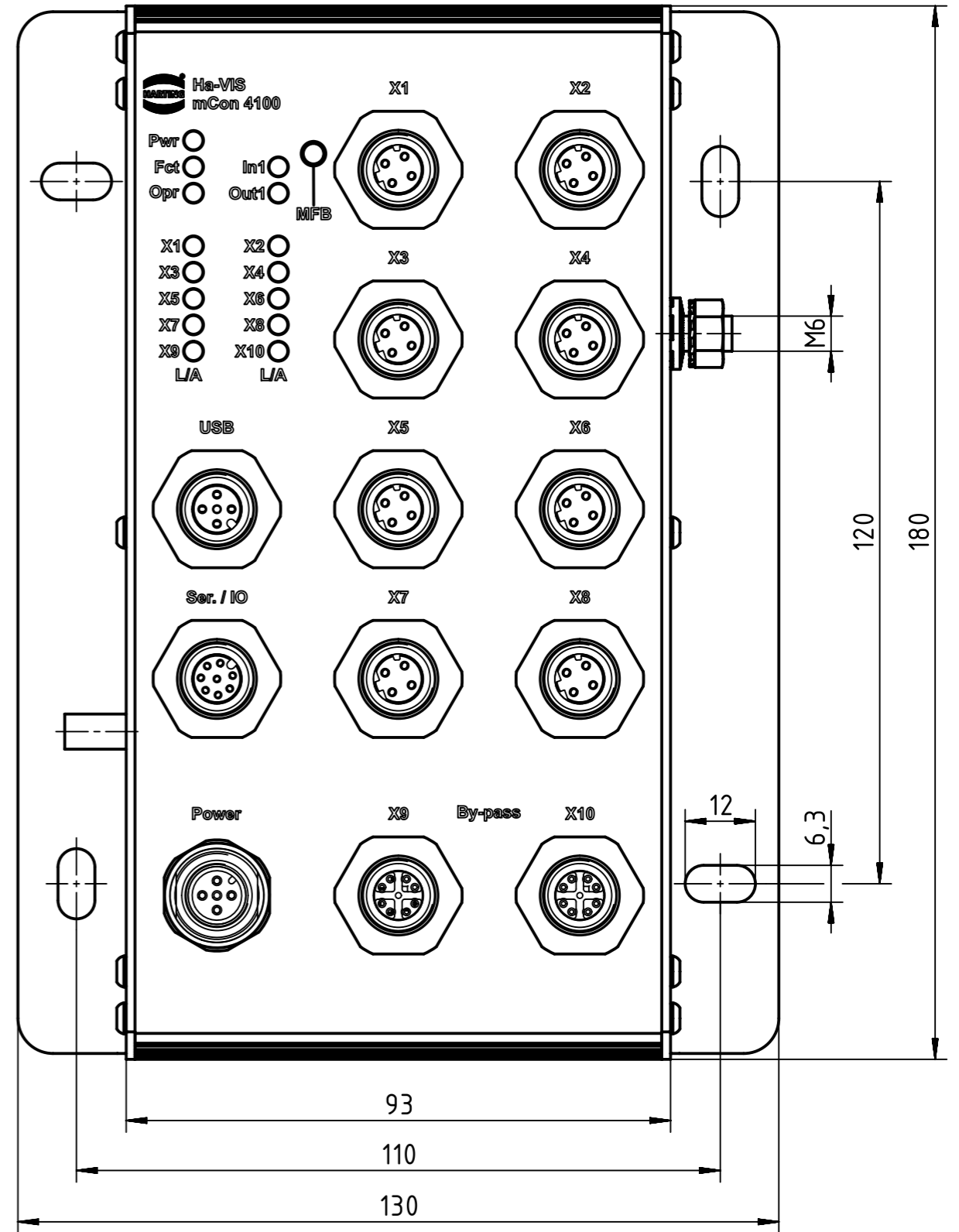
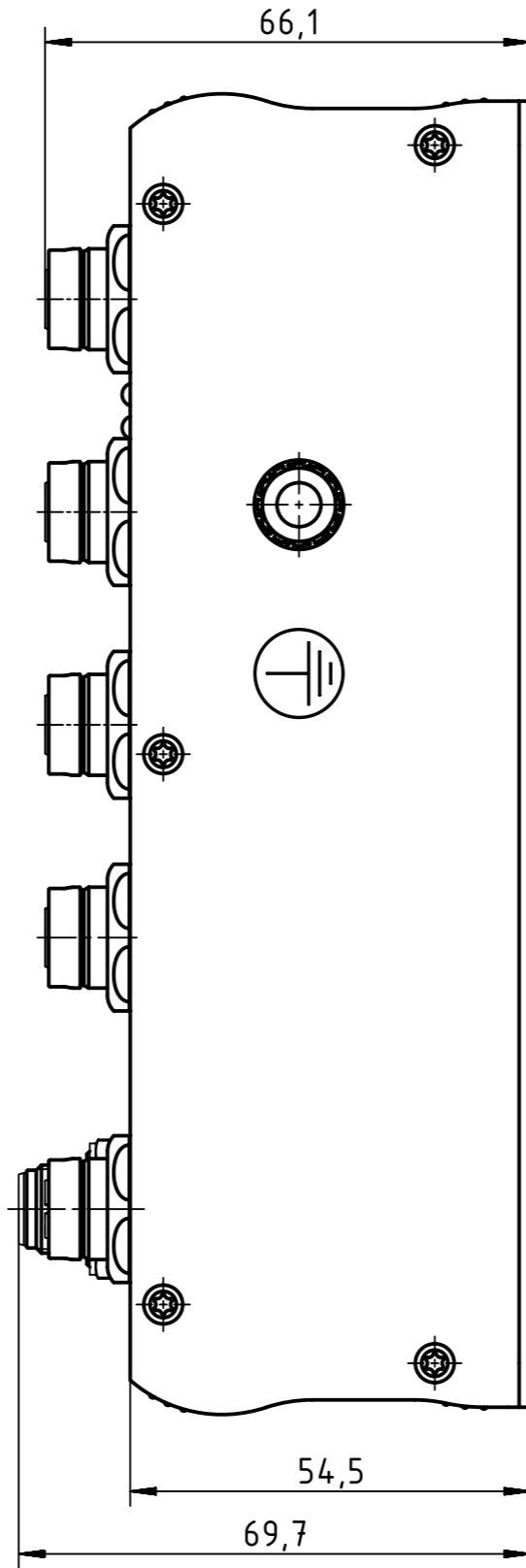
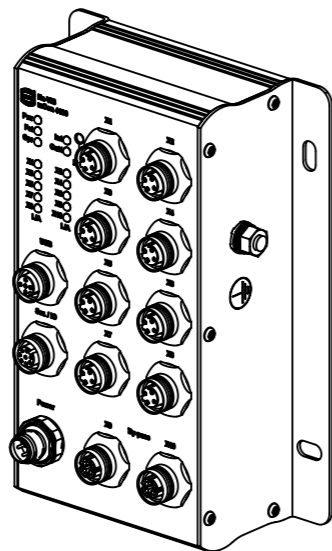



terminal pin assigment	
X1-X8	
	1 TX+
	2 RX+
	3 TX-
	4 RX-
X9-X10	
	1 MD1+
	2 MD1-
	3 MD2+
	4 MD2-
	5 MD4+
	6 MD4-
	7 MD3-
	8 MD3+
Power	
	1 VIN1+
	2 VIN-
	3 VIN-
	4 VIN2+
Ser./IO	
	1 Output, Common
	2 RS232-0V
	3 RS232-RX
	4 RS232-TX
	5 Input, Common
	6 Input, active high
	7 Output, normally open
	8 Output, normally closed
USB	
	1 USB-5V
	2 USB-D-
	3 USB-D+
	4 USB-0V



	All rights reserved Department EL PD - DE	All Dimensions in mm Original Size DIN A3	Scale 1:1	Free size tol.	Ref. Sub.
	HARTING Electric GmbH & Co. KG D-32339 Espelkamp	Created by STICKFORTH	Inspected by WULF	Standardisation TIEMANNA	Date 2016-01-22
Title Ha-VIS mCon 4100-BB-L-B					State Final Release
Type TB				Number 20 77 210 4003	Doc-Key / ECM-Nr. 100634139/UGD/001/A 50000099516
Rev. A					Page 1/1