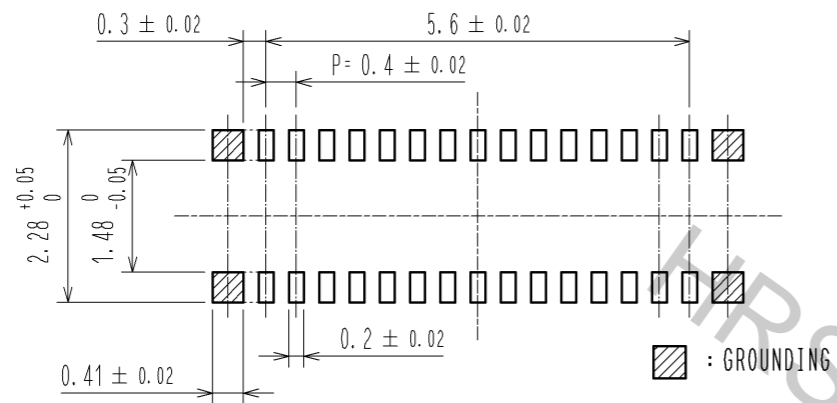


- NOTE) 1 . ALL LEAD CO-PLANARITY SHALL BE 0.08mm MAX
 2 > CONTACT PLATING SPECIFICATIONS.
 CONTACT AREA : GOLD 0.05 μm MIN
 SMT LEAD : GOLD 0.05 μm MIN
 UNDERPLATING : NICKEL 1 μm MIN
 (SURFACE : SEALING)
 3 > EACH CONTACTS AT 4 CORNERS ARE PROVIDED FOR METAL FITTINGS AND GROUNDING PURPOSE.
 4 > HRS MARK AND CAV NO. ARE INDICATED IN APPROX POSITION SHOWN.
 5 > GATE POSITION IS INDICATED IN APPROX POSITION SHOWN.

3	PS	CLEAR (ENBOSSED CARRIER TAPE)	7	POLYSTYRENE	
2	PHOSPHOR BRONZE	2 >	6	POLYIMIDE	BROWN(HEAT RESISTANCE TAPE)
1	LCP	UL94 V-0, BLACK	5	PS	BLACK (PLASTIC REEL)
			4	POLYESTER	CLEAR (COVER TAPE)
NO.	MATERIAL	FINISH . REMARKS	NO.	MATERIAL	FINISH . REMARKS

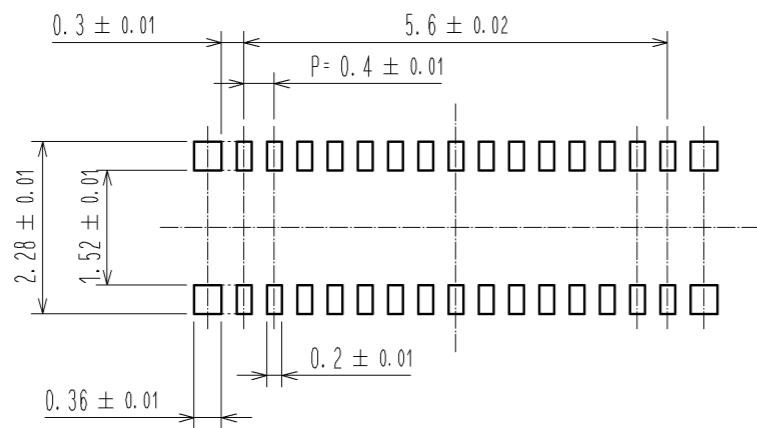
UNITS mm		SCALE 10 : 1	COUNT △	DESCRIPTION OF REVISIONS	DESIGNED	CHECKED	DATE
APPROVED : KH. IKEDA 10.01.27				DRAWING NO. EDC3-319841-01			
CHECKED : WR. FUKUCHI 10.01.27				PART NO. BM14B(0.8)-30DS-0.4V(52)			
DESIGNED : YH. HASEGAWA 10.01.27				CODE NO. CL684-8006-3-52			
DRAWN : YH. HASEGAWA 10.01.27				1/3			

◆ RECOMMENDED PCB LAYOUT

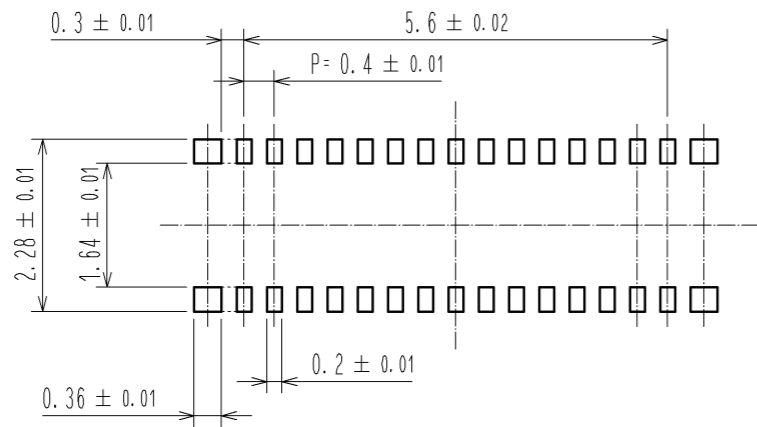


◆ RECOMMENDED METAL MASK DIMENSIONS

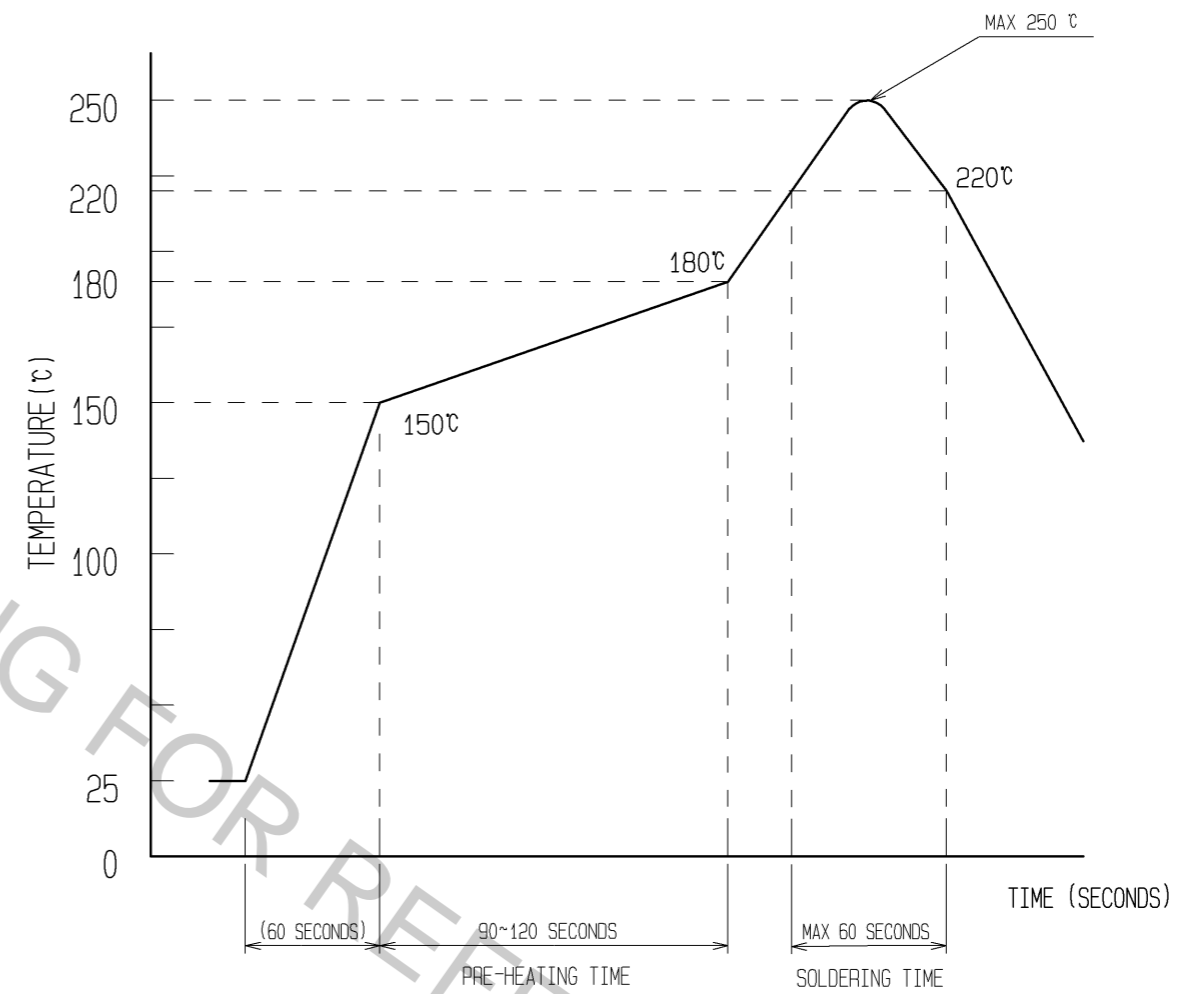
METAL MASK THICKNESS : 100 μm



METAL MASK THICKNESS : 120 μm



⑥ RECOMMENDED REFLOW TEMPERATURE PROFILE USING LEAD-FREE SOLDER PASTE.



REFLOW METHOD: IR REFLOW.
NUMBER OF REFLOW CYCLES: 2 CYCLES MAX.

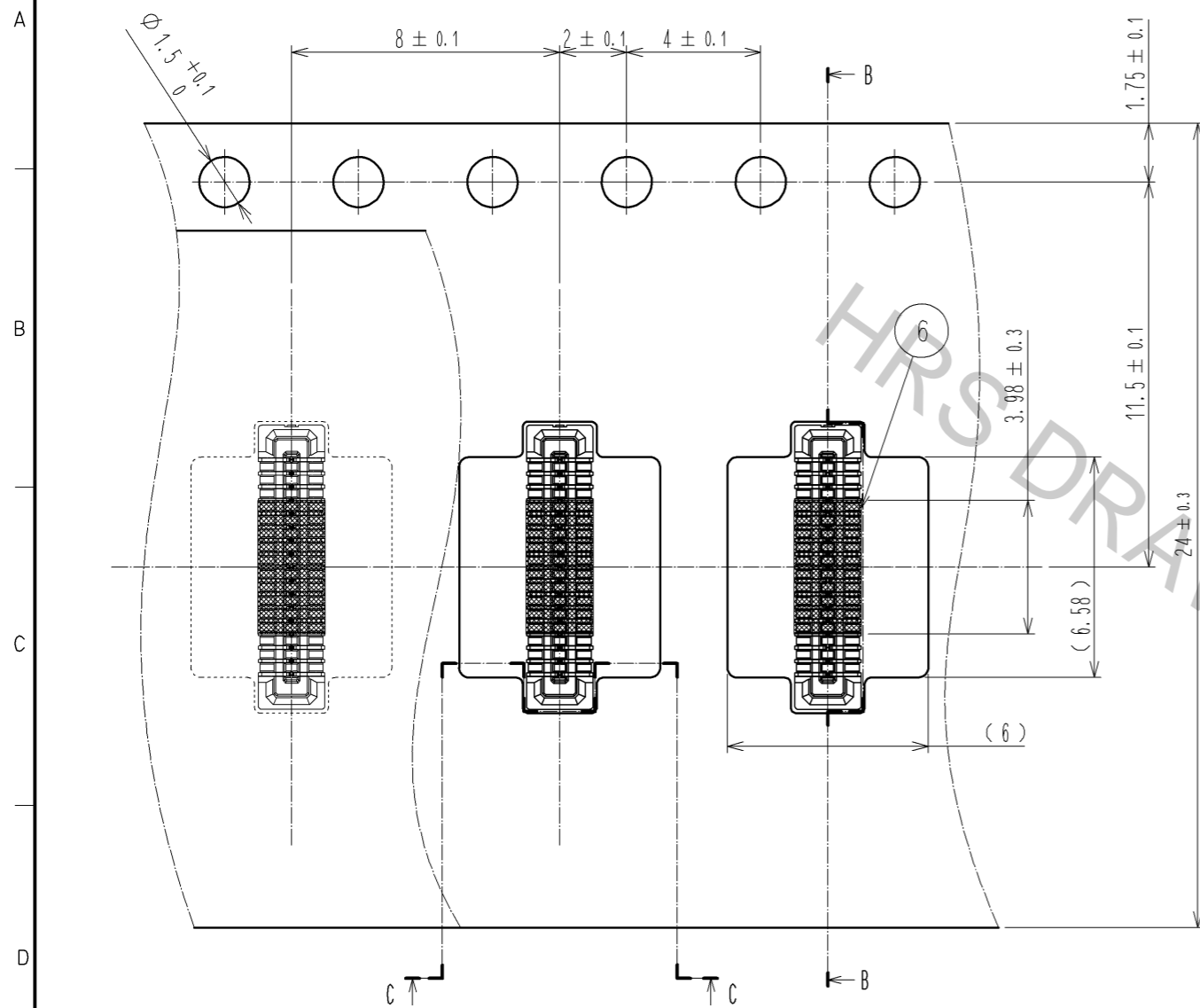
- 1) REFLOW TIME
DURATION ABOVE 220°C, 60 SEC. MAX.
(PEAK TEMPERATURE: 250°C MAX)
- 2) PRE-HEAT TIME
PRE-HEAT TEMPERATURE(MIN): 150°C
PRE-HEAT TEMPERATURE(MAX): 180°C
PRE-HEAT TIME: 90-120 sec.

⑥ THIS TEMPERATURE PROFILE IS PER THE CONDITIONS SHOWN ABOVE. ADDITIONAL FACTORS, SUCH AS SOLDER PASTE TYPE, PCB SIZE AND OTHER MOUNTED COMPONENTS COULD AFFECT THE PROFILE, THEREFORE, A THOROUGH EVALUATION OF MOUNTING CONDITION IS REQUIRED PRIOR TO PRODUCTION. TEMPERATURE IS MEASURED AT CONTACT LEAD.

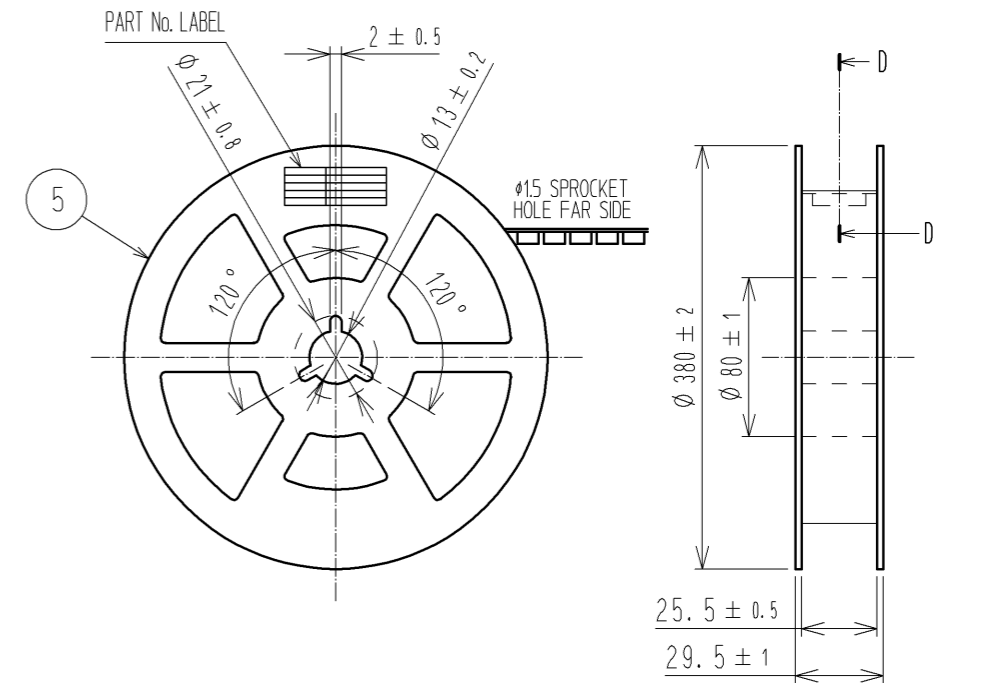
HRS	DRAWING NO.	EDC3-319841-01
	PART NO.	BM14B(0.8)-30DS-0.4V(52)
	CODE NO.	CL684-8006-3-52
		△ 2/3

EMBOSSED CARRIER TAPE PACKAGING (5:1)

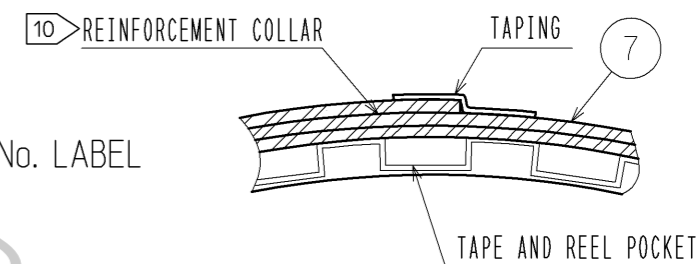
STYLE AND DIMENTION OF REEL (FREE)



B-B (5:1)



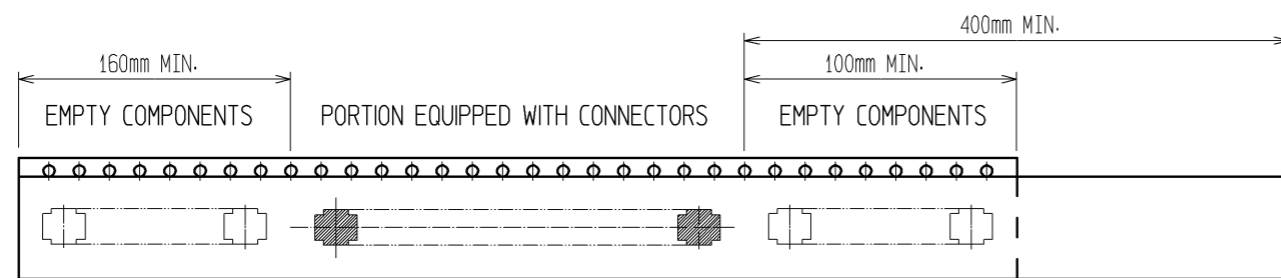
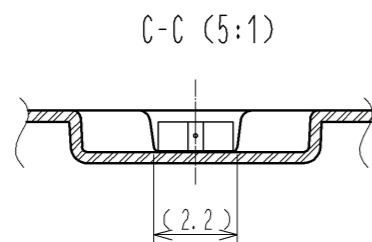
D-D (FREE)



DETAIL OF PART No. LABEL

SUPPLIER	
QUANTITY	
PART No.	
CODE No.	
DATE OF MANUFACTURED	
製造年月日	** ** *
製品コード	CL0684-8006-3-(52)
製品名	BM14B(0.8)-30DS-0.4V(52)
数量	8,000
納入者	ヒロセ電機(株)

DIRECTION OF UNREELING



TRAILER

9 TAPING (FREE)

LEADER

7. PER REEL 8000 CONNECTORS.

8. THE DIMENSIONS IN PARENTHESSES ARE FOR REFERENCE.

9 REFER TO JIS C 0806(PACKAGING OF COMPONENTS FOR AUTOMATIC HANDLING)

10 AFTER PACKAGING, ROLL 2 METERS OF THE REINFORCEMENT COLLAR TO OUTER CIRCUMFERENCE OF TAPE AND REEL POCKET, AND TAPE DOWN AT THE END THE COLLAR.



DRAWING NO.	EDC3-319841-01
PART NO.	BM14B(0.8)-30DS-0.4V(52)
CODE NO.	CL684-8006-3-52

3/3