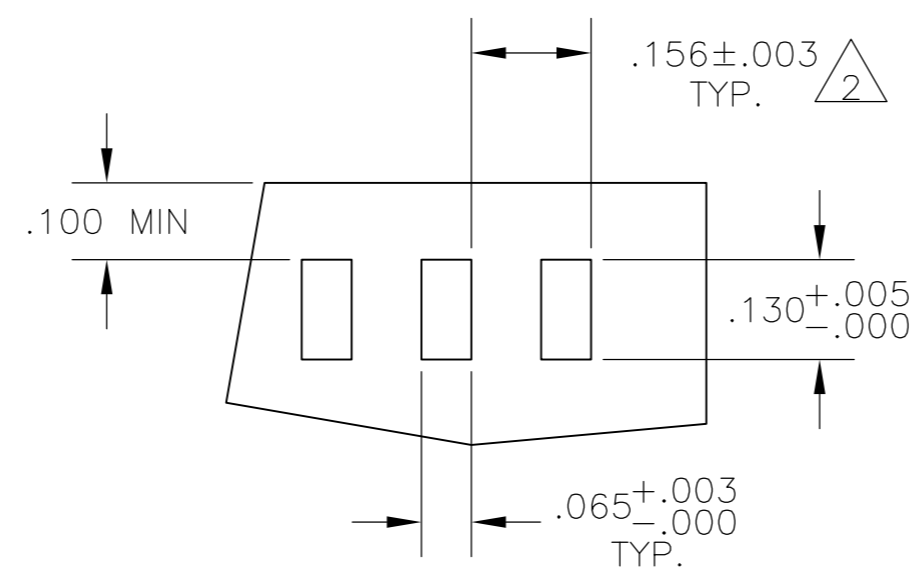
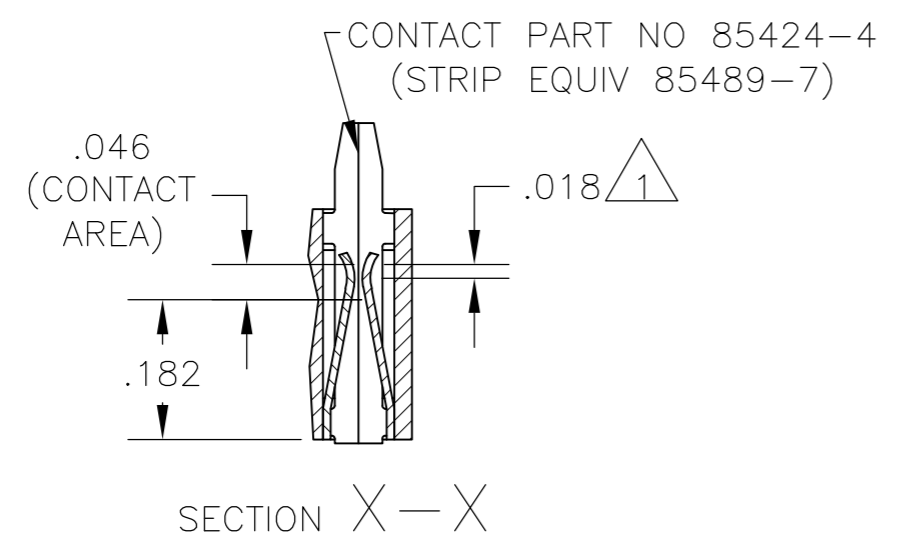


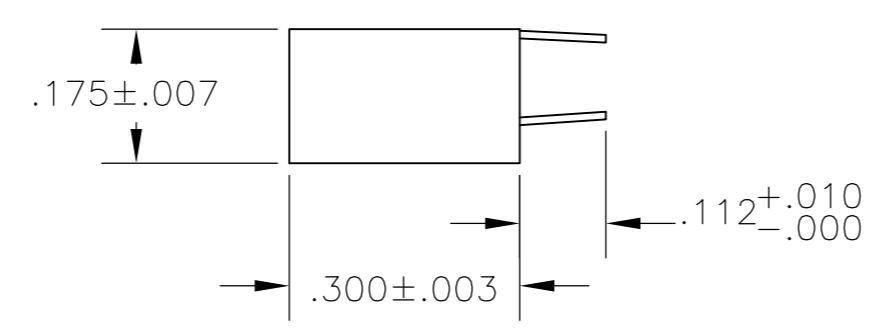
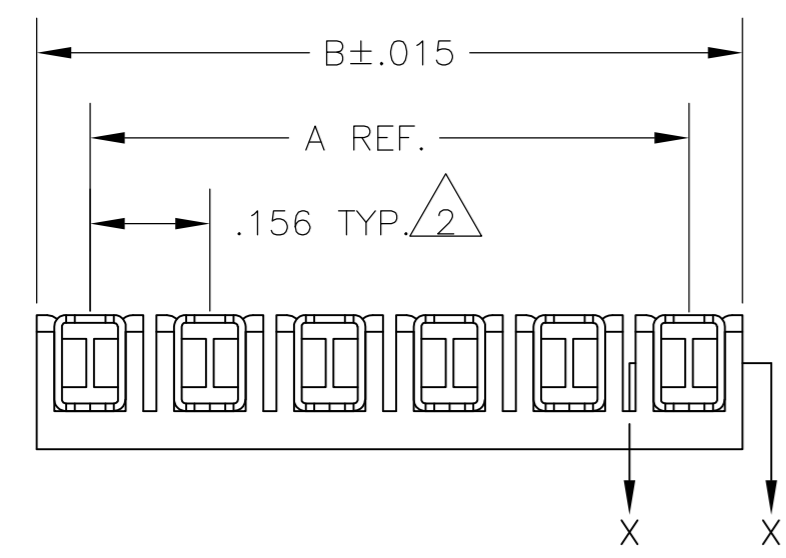
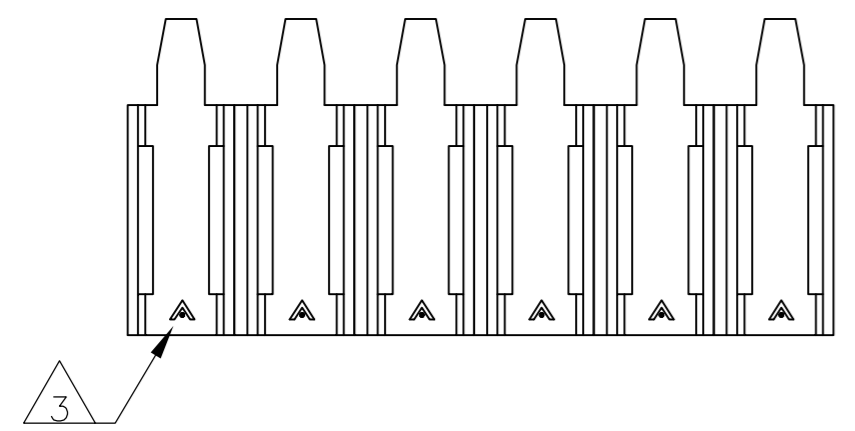
THIS DRAWING IS UNPUBLISHED. RELEASED FOR PUBLICATION - .19
 © COPYRIGHT BY TYCO ELECTRONICS CORPORATION. ALL RIGHTS RESERVED.

| LOC | DIST | REVISIONS | | | | | |
|-----|------|-----------|-----|---------------------------|---------|-----|------|
| AD | OO | P | LTR | DESCRIPTION | DATE | DWN | APVD |
| | | K1 | | REVISED PER ECO-10-000443 | 11JAN10 | KK | AEG |



RECOMMENDED BOARD MOUNTING
 (RECOMMENDED BOARD THICKNESS: .055-.070)

- NOTES:
- 1 POINT OF MEASUREMENT FOR PLATING THICKNESS (INSIDE OF BEAMS).
 - 2 TOLERANCE NON-CUMULATIVE.
 - 3 THE MATING END OF THE CONTACT IS IDENTIFIED BY THE LETTER "A" STAMPED ON THE RECEPTACLE BOX.
 - 4 OBSOLETE PARTS: OBSOLETE CIS STREAMLINING PER D.RENAUD/D.SINISI



| PLC | CL | NO OF POSN | ASSEMBLY PART NUMBER |
|-----|-------|------------|---------------------------------|
| 3 | 3.120 | 20 | 2-87982-0 |
| 3 | 2.964 | 19 | 1-87982-9 |
| 3 | 2.808 | 18 | 1-87982-8 |
| 3 | 2.652 | 17 | 1-87982-7 |
| 3 | 2.496 | 16 | 1-87982-6 |
| 3 | 2.340 | 15 | 1-87982-5 |
| 3 | 2.184 | 14 | 1-87982-4 |
| 3 | 2.028 | 13 | 1-87982-3 |
| 3 | 1.872 | 12 | 1-87982-2 |
| 3 | 1.716 | 11 | 1-87982-1 |
| 3 | 1.560 | 10 | 1-87982-0 |
| 3 | 1.404 | 9 | 87982-9 |
| 3 | 1.248 | 8 | 87982-8 |
| 3 | 1.092 | 7 | 87982-7 |
| 3 | .936 | 6 | 87982-6 |
| 3 | .780 | 5 | 87982-5 |
| 3 | .624 | 4 | 87982-4 |
| 3 | .468 | 3 | 87982-3 |
| 3 | .312 | 2 | 87982-2 |
| | B | A | NO OF POSN ASSEMBLY PART NUMBER |

THIS DRAWING IS A CONTROLLED DOCUMENT.

| | | |
|------|-------------|---------|
| DWN | L D RINGLEY | 17MAR86 |
| CHK | P deJONG | 18MAR86 |
| APVD | P deJONG | 18MAR86 |

Tyco Electronics Corporation
 Harrisburg, Pa 17105-3608

ASSY, MOD I, BOARD MOUNT RECP,
 .156 CL, STD PRESSURE, TYPE B,
 FOR RECTANGULAR HOLE MOUNTING

| | | | | | | | |
|--------|----|-----------|-------|------------|---------|---------------|----|
| SIZE | A2 | CAGE CODE | 00779 | DRAWING NO | C=87982 | RESTRICTED TO | - |
| WEIGHT | - | SCALE | 4:1 | SHEET | 1 OF 1 | REV | K1 |

CUSTOMER DRAWING