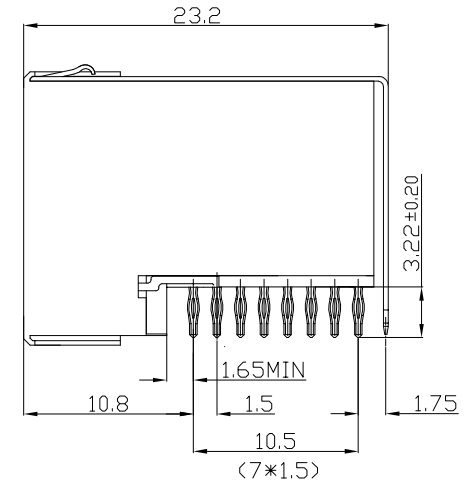
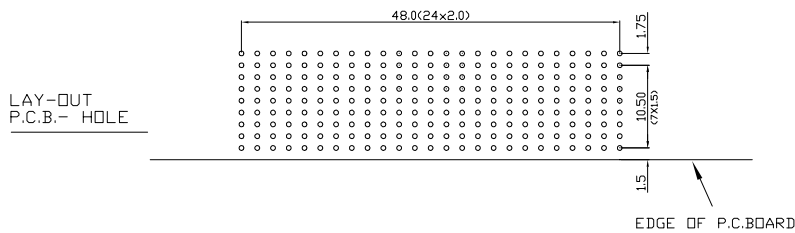
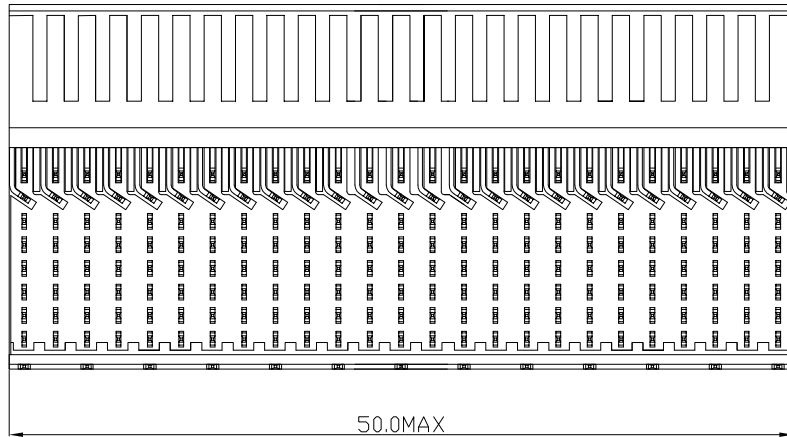
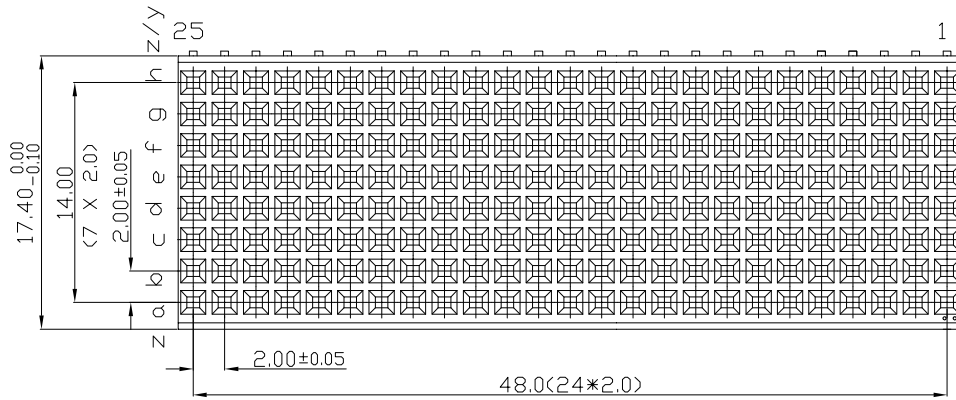


Tous droits strictement reserves. Reproduction ou communication a des tiers interdite sous quelque forme que ce soit sans autorisation ecrite du proprietaire. Propriete de c FCI. Droits de reproduction FCI.



All rights strictly reserved. Reproduction or issue to third parties in any form whatever is not permitted without written authority from the proprietor. Property of FCI. Copyright FCI.



**PERFORMANCE CHARACTERISTICS**

- CURRENT RATING 1.5A AT 20°C (FULLY LOADED)  
1 A AT 70°C (FULLY LOADED)
- RATED VOLTAGE : 500 V AC (CONT /CONT)
- OPERATING TEMPERATURE : -55°C TO 125°C
- CONTACT RESISTANCE 20 MΩ MAX
- INSERTION FORCE : 0.75N MAX/CONT
- EXTRACTION FORCE : 0.15N MIN/CONT
- INSULATION RESISTANCE : 10<sup>4</sup> MΩ MIN

**NOTES**

LMHMRB08PA18064 LF LEAD FREE (CIGIT 15A16)  
PLATING CODE(CIGIT 18A4)

Plating code	Plating	Performance Level
AA	0,75µm Au	IEC performance level 2125(Imaging cycles)/TELCORDIA (C)
AB	1,25µm Au	TELCORDIA UE

- THIS PRODUCT IS CSA APPROVED. THIS PRODUCT IS UL RECOGNIZED.
- FOR RECOMMENDED PTH DIMENSIONS REFER DRAWING : BSA.201572.001
- THIS PRODUCT (LF) MEETS EUROPEAN UNION DIRECTIVES AND OTHER COUNTRY REGULATIONS AS DESCRIBED IN GS-22-008

rev	ecn no	dr	date
A	DG09-0243	NZ	2009.12.1
B	DG10-0093	NZ	Mar-08-2010
C	DG10-0110	NZ	Aug-08-2010

		www.fciconnect.com		tolerance 1DEC ±0.2 1DEC 2DEC ±0.1 2DEC ANGLES ±1° HOEKEN	projection 	MM ← →
Dr	Nickor Zuo	Jul-20-09	Product family	MILLIPICS	size	A4
Eng	Nickor Zuo	Jul-20-09	Spec ref		Scale	3/1
Chr	PeiMing Zheng	Jul-20-09	Material		ECN	
Appr	Joseph Hsia	Jul-20-09				
title	MPACS 8+2R RA RCP CONN TYPE E/ UPPER SHIELDED			dwg no	BSC201418064	
catalog no	HM2R88PA8108----			CUSTOMER	sheet 1 of 1	
				Rev.	C	