

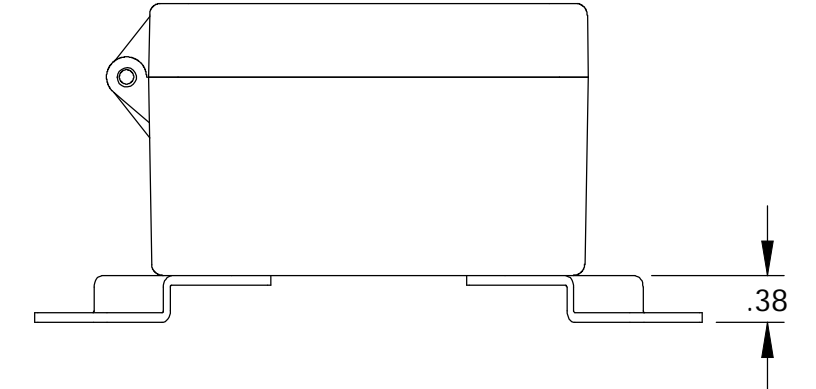
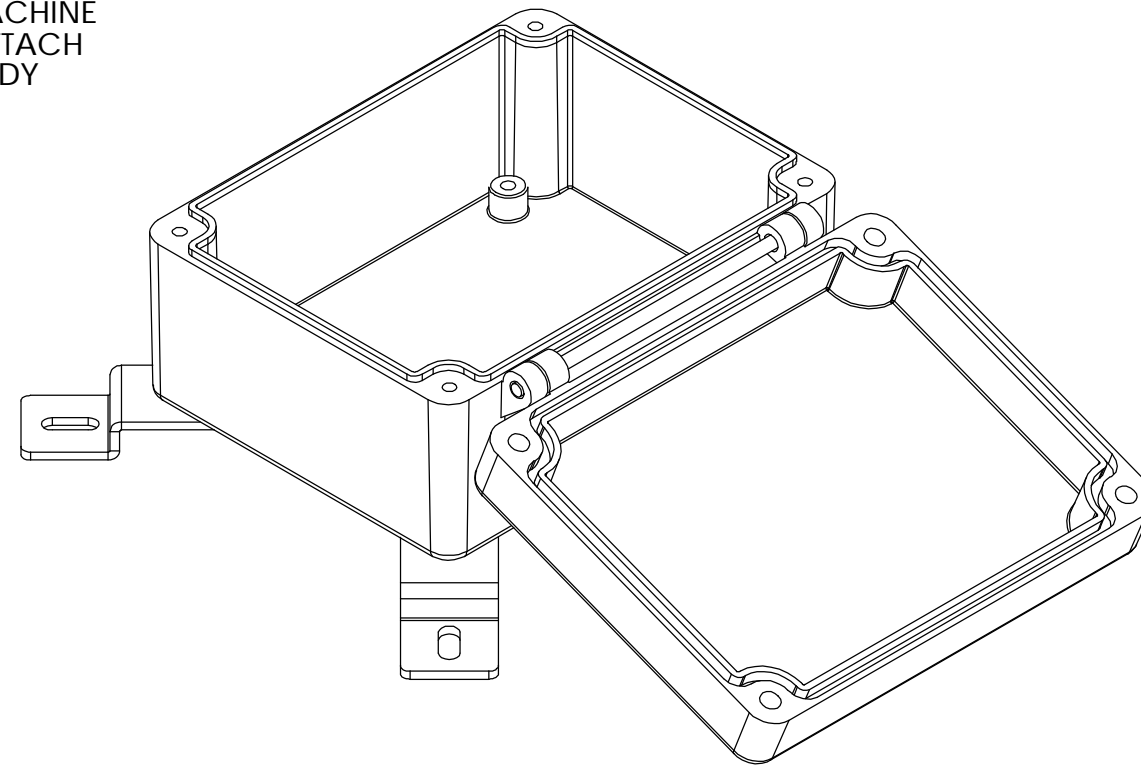
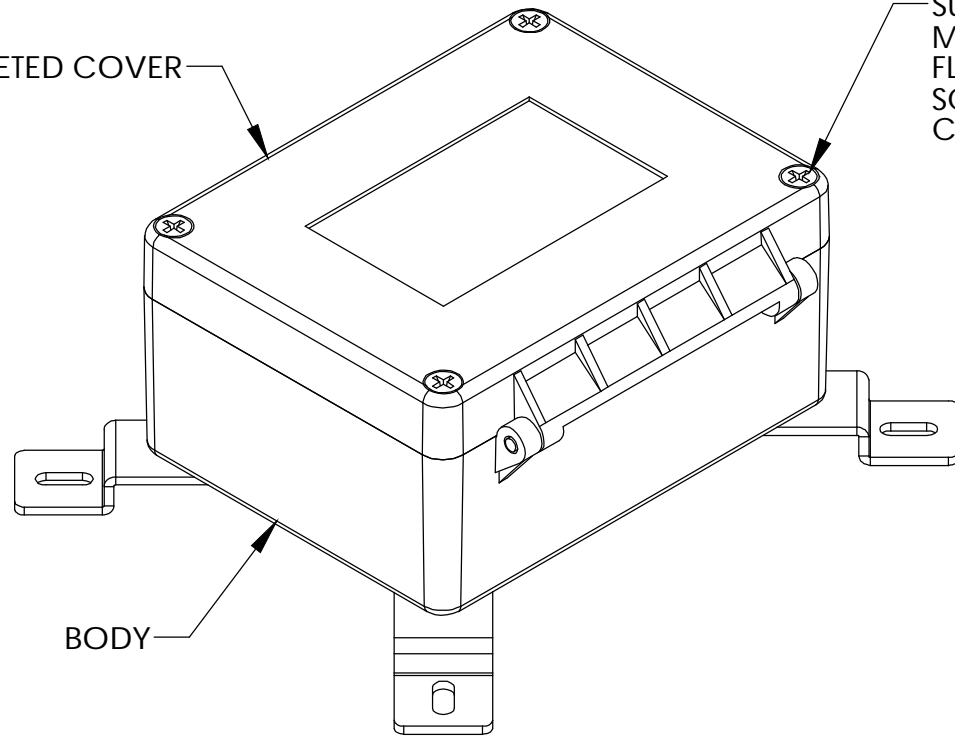
THE INFORMATION CONTAINED IN THIS DRAWING IS THE SOLE PROPERTY OF BUD INDUSTRIES INC. ANY REPRODUCTION IN PART OR WHOLE WITHOUT THE WRITTEN PERMISSION OF BUD INDUSTRIES INC. IS PROHIBITED.

DWG. NO.	AN-2901
ISSUE	REVISIONS
(A)	UPDATED DRAWING 8-8-08 DAB

GASKETED COVER

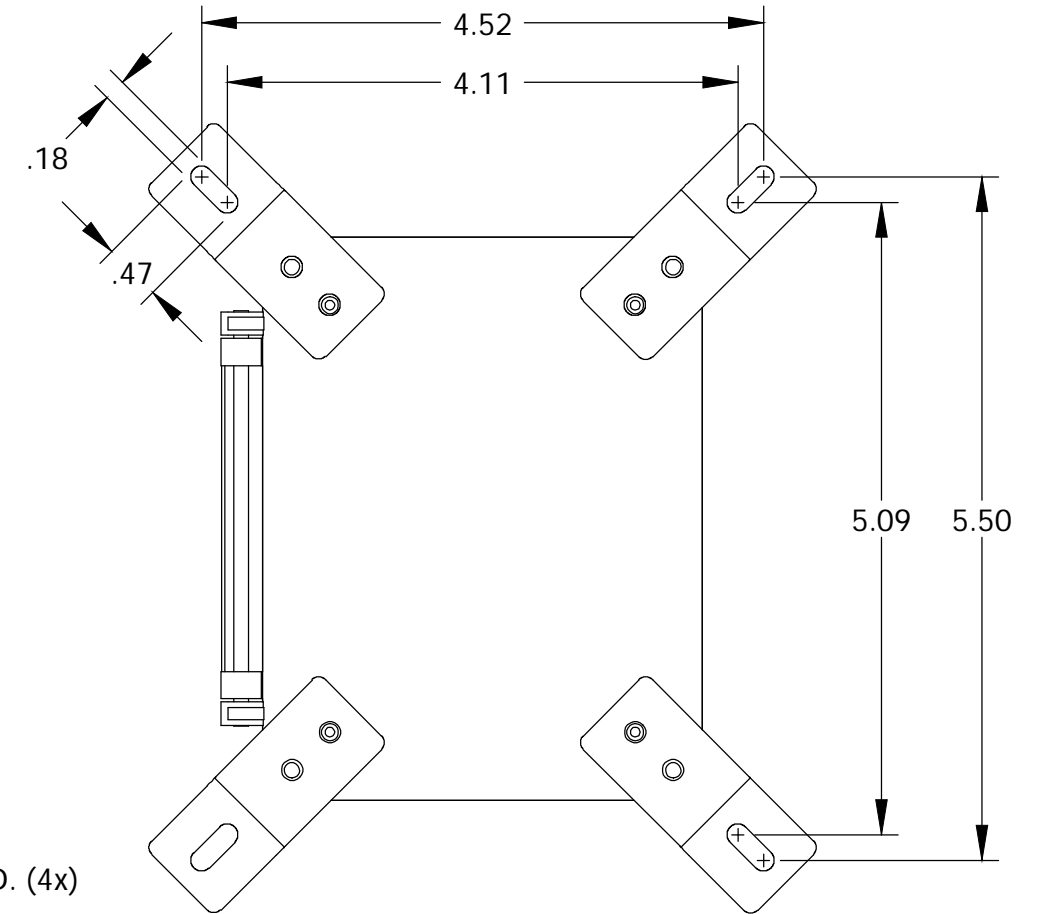
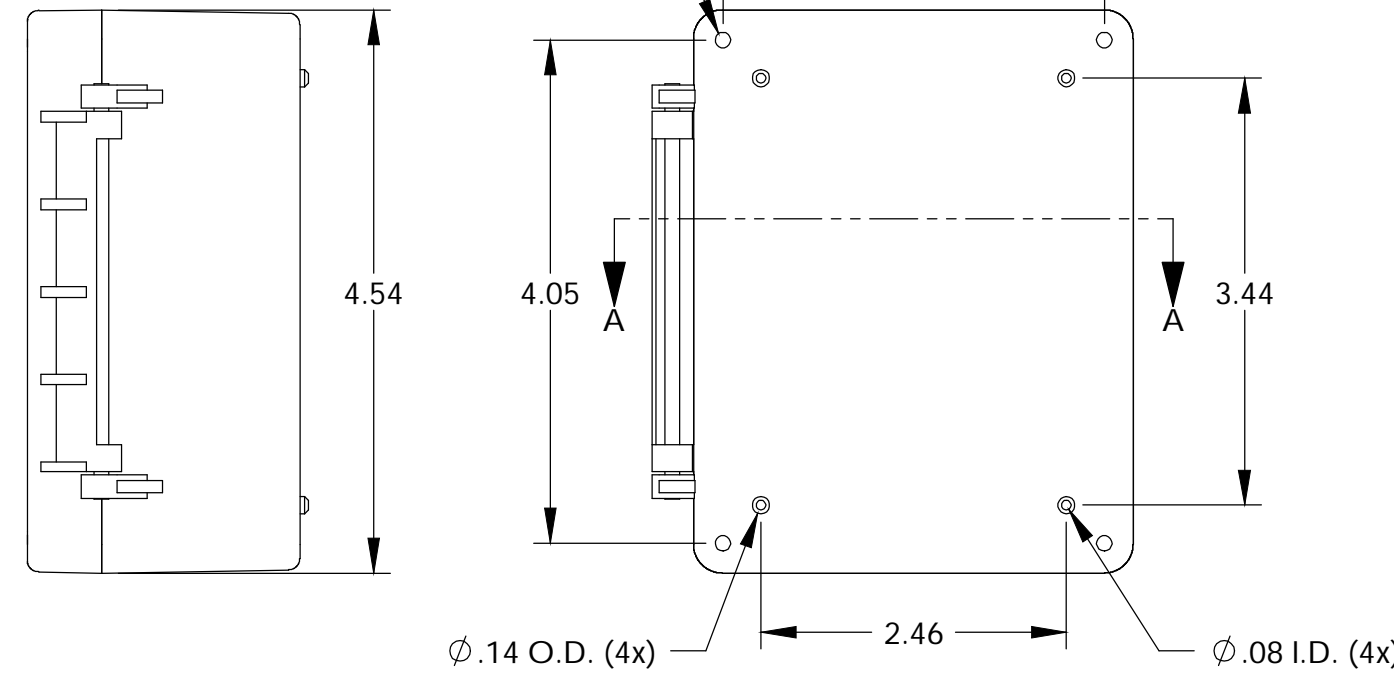
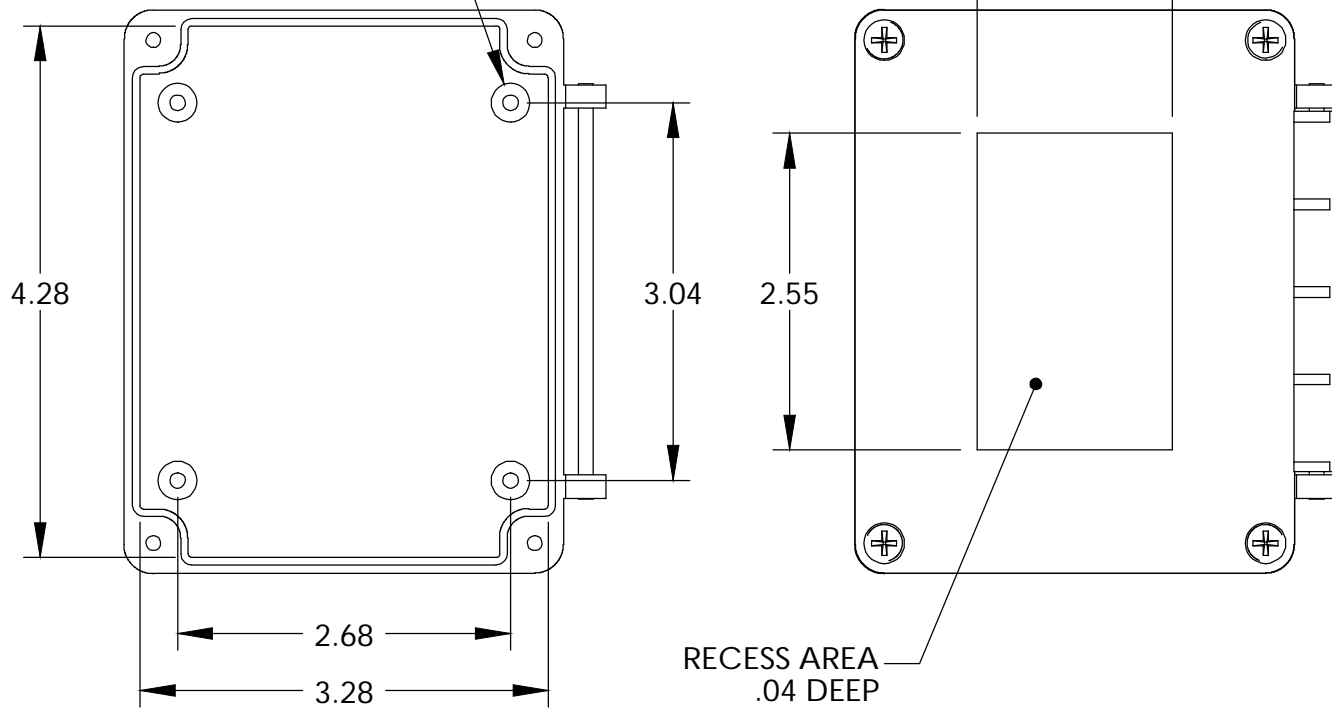
SUPPLIED WITH (4)
M4x.7 x .79" LG.
FLAT HEAD MACHINE
SCREWS TO ATTACH
COVER TO BODY

BODY



Ø.31 BOSS WITH
M4x.7 TAPPED HOLE
x .25 DEEP (4) PLACES

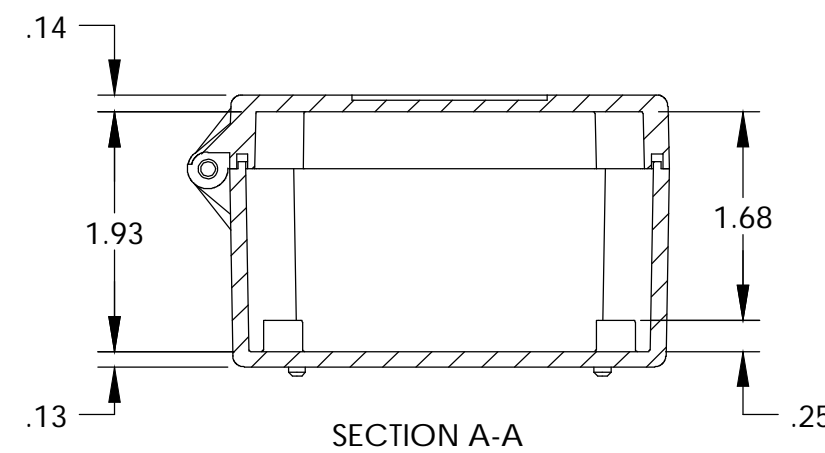
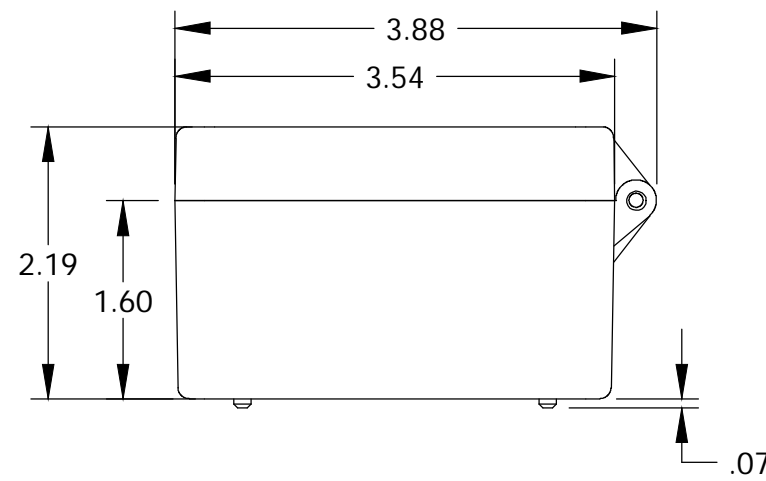
M4x.7 TAPPED HOLE
.40 DEEP IN BODY
(4) PLACES FOR WALL
MOUNT BRACKETS



VIEW LESS COVER

RECESS AREA
.04 DEEP

REFERENCE SHOWN WITH MOUNTING BRACKETS
ASSEMBLED (SHIPPED UNASSEMBLED AND
SUPPLIED WITH M4x.7 x .33" LG. PAN HD. SCREWS)



MATERIAL: ALUMINUM ADC-12
FINISH: SMOOTH BLACK POWDERCOAT

PARTS LIST

±.005 BETWEEN HOLE CENTERS	CAD GENERATED DRAWING. DO NOT MANUALLY UPDATE	APPROVALS	DATE
±.015 FROM SHEARED EDGE			
±.032 FROM A BENT SURFACE		DRAWN	5/31/05
±.062 BETWEEN ASSEMBLED SURFACES		CHECKED	
UNLESS OTHERWISE SPECIFIED		APPROVED	
MATERIAL			
AS NOTED			
AS NOTED			

BUD INDUSTRIES INC.

NEMA HINGED BOX

QTY.	USED ON	DO NOT SCALE DRAWING	SCALE	CAD FILE:	DWG. NO. AN-2901	REV.