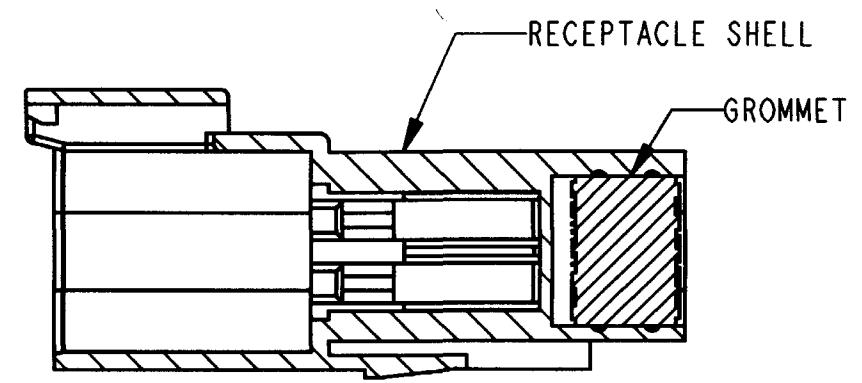
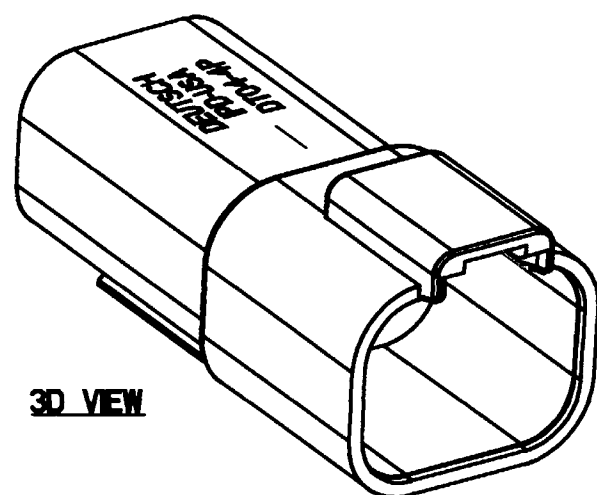


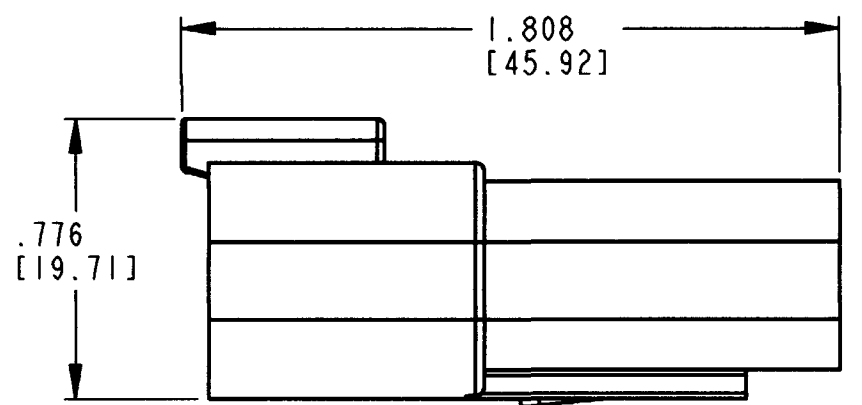
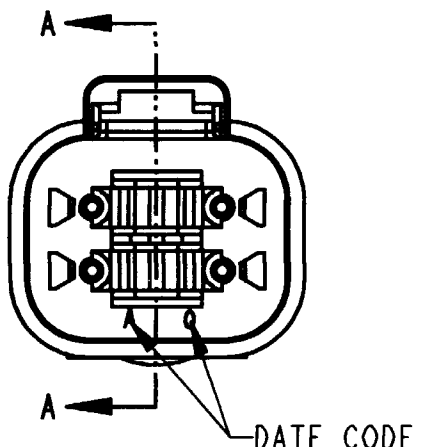
REV
NC DT04-4P-C015

| REVISIONS | | | |
|-----------|-----------------------------|---------|----------|
| SYM | DESCRIPTION | DATE | APPROVED |
| NC | NEW RELEASE PER E.O. A16795 | 8-17-00 | RDR |
| | | | |
| | | | |

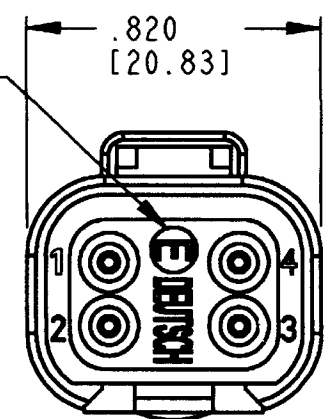


SECTION A-A

| CONTACT SIZE | MIN. INSUL O.D. | MAX. INSUL O.D. | WIRE RANGE [mm ²] |
|--------------|-----------------|-----------------|-------------------------------|
| 16 | .053 [1.35] | .120 [3.05] | 14-20 AWG [2.0-0.5] |



-E- DESIGNATES GROMMET WITH REDUCED WIRE SEAL



-DATE CODE-
MONTH IS REPRESENTED BY SEQUENTIAL ALPHA CHARACTERS.
EX. A = JANUARY
YEAR IS REPRESENTED BY LAST DIGIT.
EX. 0 = 2000

- NOTES:
1. DIMENSIONS ARE IN INCHES [MILLIMETERS].
 2. DIMENSIONS ARE ± .025[0.63] UNLESS OTHERWISE SPECIFIED.
 3. FOR CONTACTS AND WIRE PERFORMANCES AND APPLICATION CHARACTERISTICS, SEE ENVELOPE DRAWING 0425-015-0000 AND 0425-017-0000.
 4. THIS RECEPTACLE MATES WITH THE DT06-4S-**** PLUG (**** = ALL MODIFICATIONS). CONSULT FACTORY FOR MODIFICATIONS.

| SIGNATURE & DATE | |
|------------------|----------------------------|
| DR | T. YOHANNES 8/9/00 |
| CHK | <i>[Signature]</i> 8/17/00 |
| PE | <i>[Signature]</i> |
| APPD | <i>[Signature]</i> 8-17-00 |
| SCALE | NONE WT |

4 WAY RECEPTACLE
REDUCED WIRE SEALS
-C015 MOD.
DT SERIES

ENVELOPE

| | |
|--|-----------------------|
| CP | MATL. CODE |
| The Deutch Company DEUTSCH I.P.D. 3850 INDUSTRIAL AVE. HEMET, CALIF. 92545 | |
| B | DT04-4P-C015 |
| DWG SIZE | CODE 11139 SHEET OF |