

- NOTE:
- MATERIAL:
HOUSING: LCP, UL94V-0, COLOR: BLACK
CONTACT: COPPER ALLOY.
 - CONTACT FINISH: 50u" MIN. NICKEL UNDERPLATED.
OPTIONAL PLATING ON CONTACT AREA.
 - THIS PLUG MATES WITH FCI RECEPTACLE WIRE CONNECTOR 10127716.
 - PRODUCT SPECIFICATION: GS-12-1177.
 - PACKAGE SPECIFICATION: GS-14-2359.
 - THE HOUSING WILL WITHSTAND EXPOSURE TO 260°C PEAK TEMPERATURE 10 SECONDS IN A REFLOW OVEN.
 - PART NUMBER SCHEME:

10127720- XX X X X X L F

POS. CODE: OPTIONAL PACKAEGS:
02: 2 POS BLANK: TRAY
04: 4 POS R: TAPE AND REEL

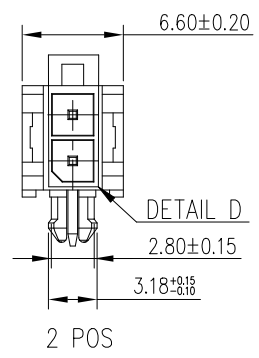
 OPTIONAL PEGS:
 N: NO PEG, ONLY
 FOR 4 & 8 & 10 POS.

PLATING CODE: GLOW WIRE COMPATIBLE:
1: 100u" TIN BLANK: E471i, NON-COMPATIBLE
2: GOLD FLASH G: E130i, GLOW WIRE COMPATIBLE
3: 15u" Au
4: 30u" Au
5: 160u" MATTE TIN OVER 50u" NICKEL

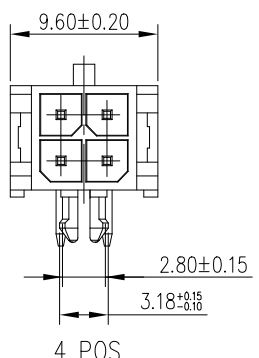
8. P/N & DIMENSION TABLE:

| PART NO. | POS | A | B | C | D |
|-------------------|-----|-------|-------|-------|-------|
| 10127720-02XXXXLF | 2 | 6.60 | -- | 2.80 | -- |
| 10127720-04XXXXLF | 4 | 9.60 | 3.00 | 2.80 | -- |
| 10127720-06XXXXLF | 6 | 12.60 | 6.00 | 2.80 | -- |
| 10127720-08XXXXLF | 8 | 15.60 | 9.00 | 7.50 | 4.70 |
| 10127720-10XXXXLF | 10 | 18.60 | 12.00 | 10.50 | 7.70 |
| 10127720-12XXXXLF | 12 | 21.60 | 15.00 | 13.50 | 10.70 |
| 10127720-14XXXXLF | 14 | 24.60 | 18.00 | 16.50 | 13.70 |
| 10127720-16XXXXLF | 16 | 27.60 | 21.00 | 19.50 | 16.70 |
| 10127720-18XXXXLF | 18 | 30.60 | 24.00 | 22.50 | 19.70 |
| 10127720-20XXXXLF | 20 | 33.60 | 27.00 | 25.50 | 22.70 |
| 10127720-22XXXXLF | 22 | 36.60 | 30.00 | 28.50 | 25.70 |
| 10127720-24XXXXLF | 24 | 39.60 | 33.00 | 31.50 | 28.70 |

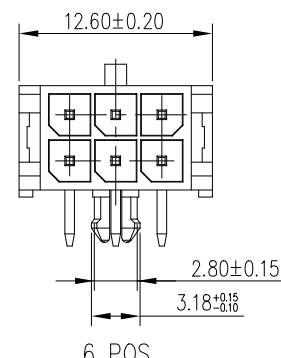
| | | | | | | | | | |
|-------------|-------------|--------------------|------------|---------------------------------------|--|------------|--|-------------------------------|--|
| mat'l. code | | surface ISO 1302 ✓ | | tolerance ISO 406 ISO 1101 | | projection | | product family | |
| | | | | | | 1101 | | MINITEK PWR3.0 | |
| ltr | ecn no | dr | date | tolerances unless otherwise specified | | mm | | title | |
| B | ELX-T-17184 | TAI | 2014-03-12 | angles | | linear | | MINITEK PWR3.0 WTB HEADER | |
| C | ELX-T-19251 | TAI | 2014-10-31 | 0°±2' | | scale 1:1 | | DUAL ROW, R/A DIP TYPE | |
| D | ELX-T-23045 | TAI | 2016-01-15 | | | | | dwg no | |
| E | ELX-T-24032 | TAI | 2016-05-05 | KENNY TAI | | 2013-10-21 | | sheet 1 of 2 size | |
| F | ELX-T-25278 | TAI | 2016-11-04 | engr KENNY TAI | | 2013-10-21 | | 10127720 | |
| G | ELX-N-27442 | TONY | 2017-07-11 | chr KENNY TAI | | 2013-10-21 | | A3 | |
| H | ELX-N-29540 | TONY | 2018-03-14 | appd PM ZHENG | | 2013-11-06 | | type Product Customer Drawing | |
| sheet | revision | H | H | | | | | | |
| index | sheet | 1 | 2 | | | | | | |



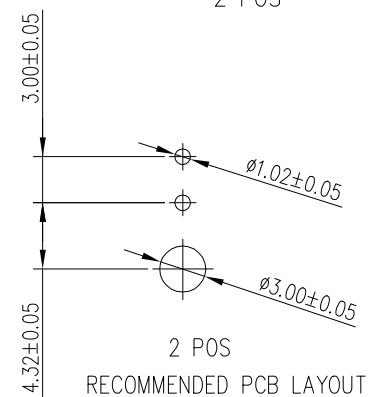
2 POS



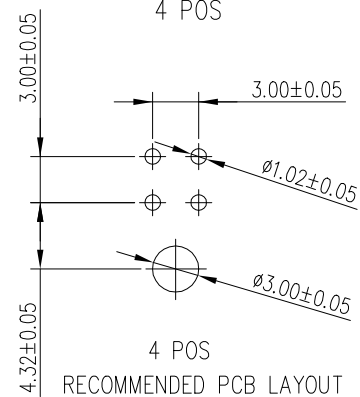
4 POS



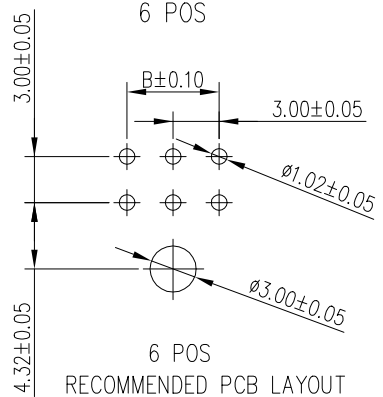
6 POS



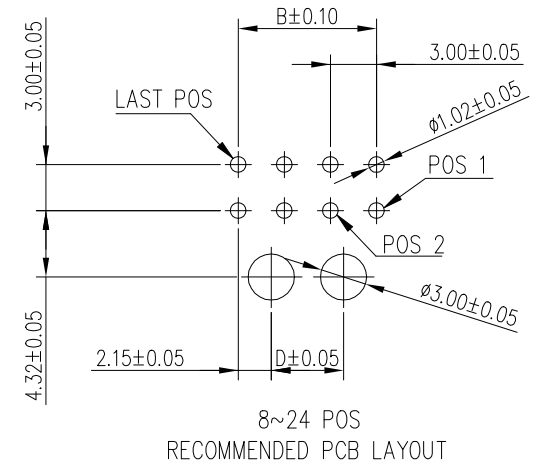
2 POS
RECOMMENDED PCB LAYOUT



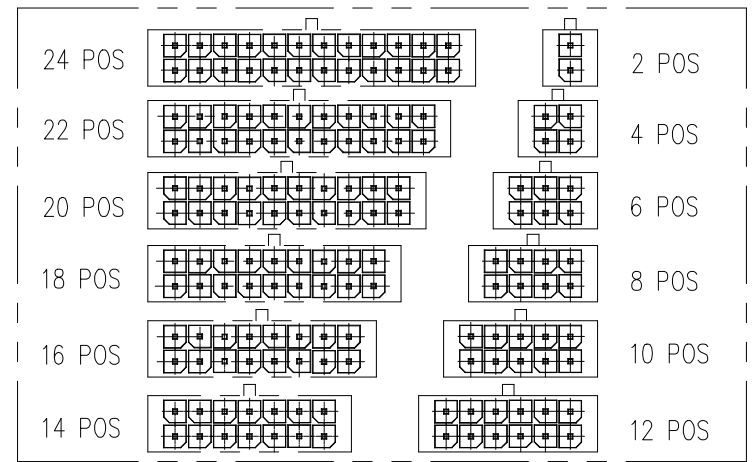
4 POS
RECOMMENDED PCB LAYOUT



6 POS
RECOMMENDED PCB LAYOUT



8~24 POS
RECOMMENDED PCB LAYOUT



DETAIL D

| | | | | | |
|-------------|----------------|------------|------------------|---------------------------------------|---|
| mat'l. code | | surface | tolerance | projection | product family |
| | | ISO 1302 ✓ | ISO 406 ISO 1101 | | MINITEK PWR3.0 |
| ltr | ecn no | dr | date | tolerances unless otherwise specified | title |
| | | | | angles linear | MINITEK PWR3.0 WTB HEADER DUAL ROW, R/A DIP TYPE |
| | | | | 0°±2' | scale 1:1 |
| | | dr | KENNY TAI | 2013-10-21 | sheet 2 of 2 size A3 10127720 type Product Customer Drawing |
| | | engr | KENNY TAI | 2013-10-21 | |
| | | chr | KENNY TAI | 2013-10-21 | |
| | | appd | PM ZHENG | 2013-11-06 | |
| sheet index | revision sheet | H | H | | |
| | 1 2 | | | | |