

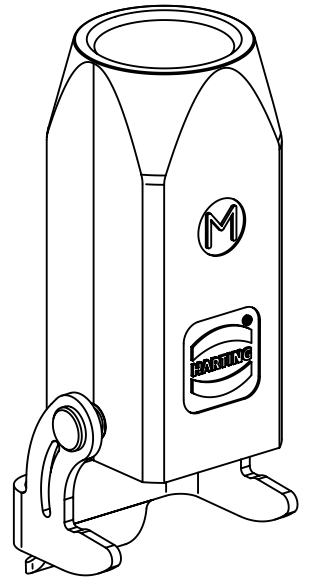
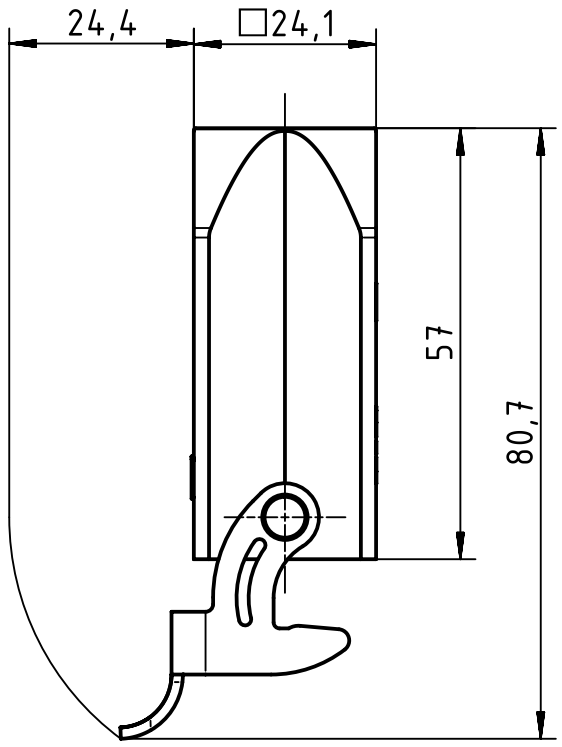
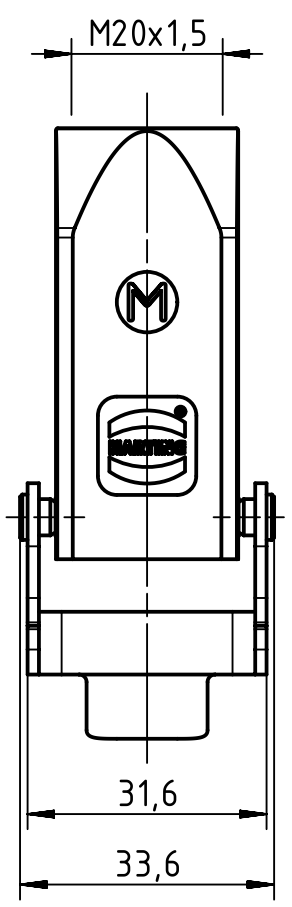
1 2 3 4 5 6


A

B

C

D



	All rights reserved Department EL PD - DE	All Dimensions in mm Original Size DIN A4		Scale 1:1	Free size tol.	Ref.	
		Created by GRUBES	Inspected by HERBRECHTSME	Standardisation SCHMIDTM	Date 2016-06-16	State Final Release	
HARTING Electric GmbH & Co. KG D-32339 Espelkamp		Title Han-INOX 3A-HCC-M20				Doc-Key / ECM-Nr. 100615944/UGD/001/A 500000105589	
		Type TB	Number 19 44 003 1750			Rev. A	Page 1/1