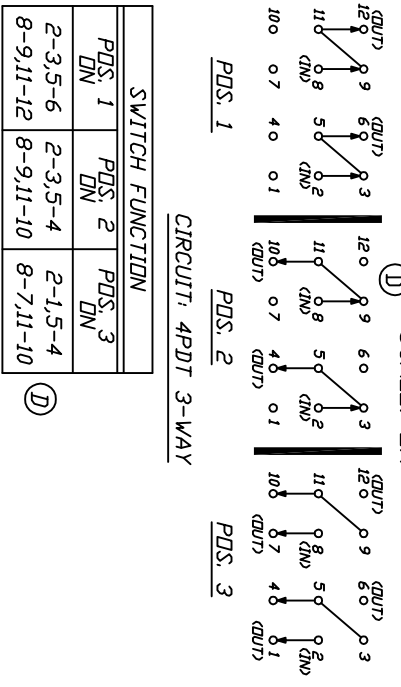


RECOMMENDED P.C.B. LAYOUT

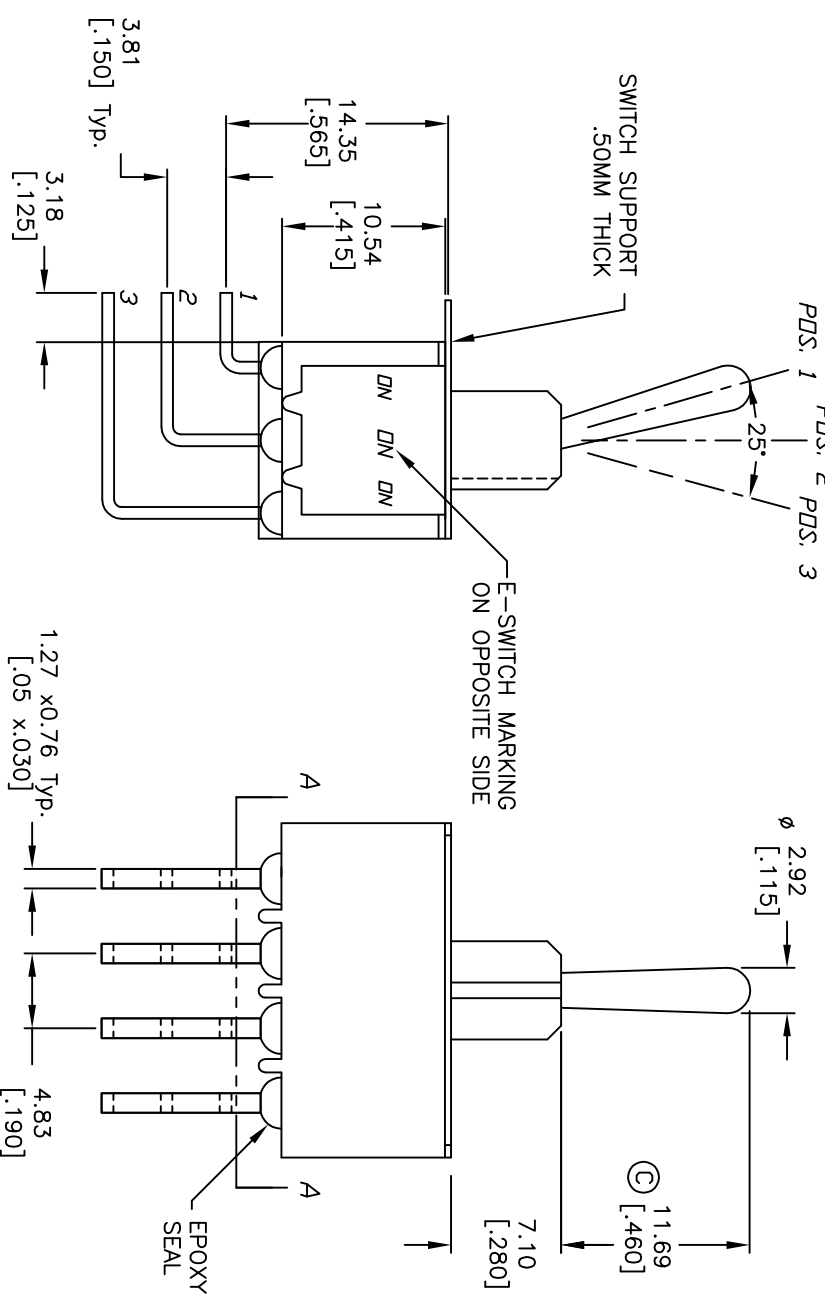
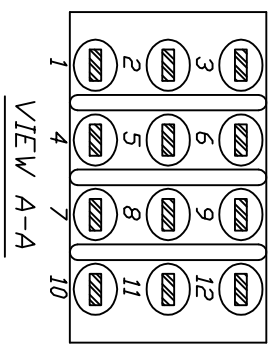
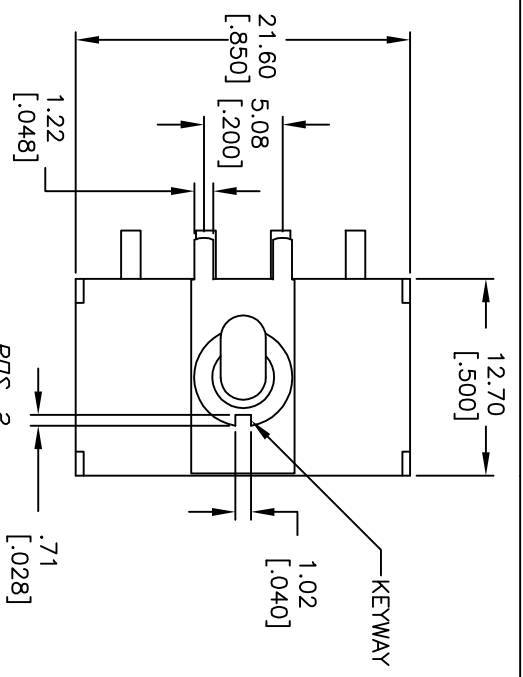
SCALE: 2X



NOTES:

1. ALL DIMENSIONS IN MM [INCH]
2. GENERAL TOLERANCE: X.X=±0.4 X.XX=±0.25
3. TERMINAL NUMBERS FOR REF ONLY
4. RATING: 0.4 (VA) Max. @20V Max.
5. CONTACT & TERM MATERIAL:
Cu Alloy w/Gold plate over Ni plate.
6. ELECTRIC LIFE: 50,000 make-and-break cycles at full load.
7. INSULATION RESISTANCE: 1,000 Mega-ohm min.
8. DIELECTRIC STRENGTH: 1,000 V RMS @sea level.
9. OPERATING TEMP.: -30°C to 85°C

SWITCH FUNCTION		
PDS. 1	PDS. 2	PDS. 3
2-3,5-6 8-9,11-12	2-3,5-4 8-9,11-10	2-1,5-4 8-7,11-10



REV.	ECN No.	DESCRIPTION	DATE	CHKD
D	18450	FIX SCHEM / TABLE FOR PDS. 2	3/12/09	BLR
C	18442	DIM CHANGED (WAS 12.19)	3/10/09	BLR
B	11547	REVISED ACTUATOR /SCHEMATIC	6/8/01	CJB

TITLE		DATE		DR	DWG	REV
100 4P-6 T1 B4 M7 R E		6/8/01		MM	T146008	D

THE INFORMATION CONTAINED IN THIS DOCUMENT IS PROPRIETARY TO E-SWITCH AND IS NOT TO BE COPIED OR TRANSFERRED

