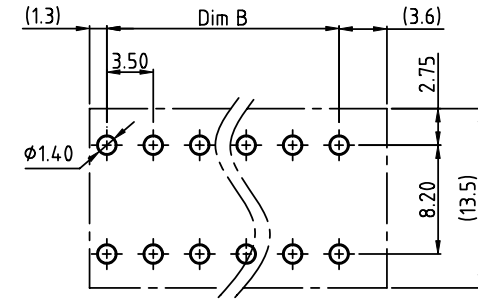
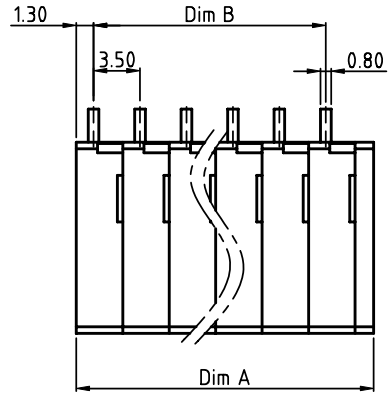
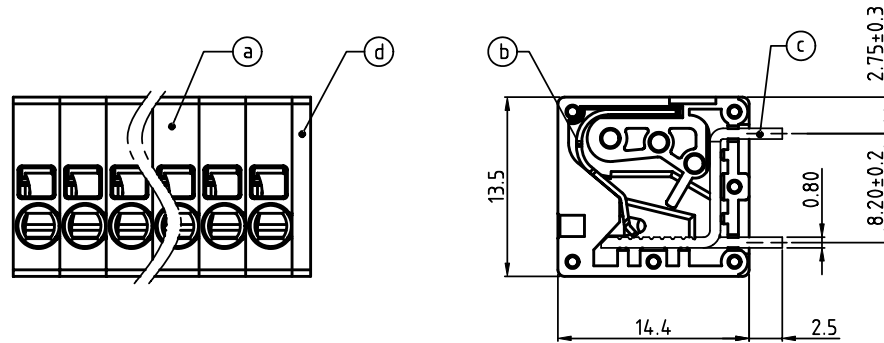


PRODUCT NUMBER	PITCH
NJxx20x000J0G	3.50mm



RECOMMENDED P.C.B LAYOUT  
TOP VIEW



Material:

- Item (a) Terminal housing: Thermoplastic (UL 94V-0)
- Item (b) Spring clamp: Stainless steel
- Item (c) Solder pin: Brass, Tin plated
- Item (d) Terminal cover: Thermoplastic (UL 94V-0)

Electrical

- Voltage rating: 300VAC
- Current rating: 10A
- Wire range:
  - Solid wire(AWG): 16-24
  - Stranded wire(AWG): 16-24
  - Wire strip length: 9-10mm
- Withstanding Voltage: 1.6KV
- Operating temperature: -40°C to +115°C
- Soldering temperature: 260°C±5°C/5 Sec
- Safety Approval:

N=Number of poles  
Dim A=Nx3.50+1.40  
Dim B=(N-1)x3.50

POLES	Dim A	Dim B
1p	±0.10	—
2-6p	±0.10	±0.10
7-12p	±0.20	±0.20
13-18p	±0.30	±0.30
19-24p	±0.40	±0.40

PART NO.: NJ xx 20 x 000J0 G

No. of poles	Color	RoHS compliant
0	Black (RAL9005)	(lead<4%)
End Stackable	2 Red (RAL3001/D)	In copper Alloy
01	1 poles 3 Orange(RAL2011/P)	
02	2 poles 4 Yellow(RAL1018/A)	
...	...	
5	Green(RAL6018/T)	
6	Blue (RAL5015/A)	
8	Grey(RAL7004/P)	
9	White(RAL1102)	
C	Multiple colors	

mat'l. code		surface ASME Y14.5	tolerance ASME Y14.5	projection	product family TERMINAL BLOCK	
ltr	ecn no	dr	date	 MM scale	title TERMINAL BLOCK SPRING CLAMP,90D WIRE INLET	
tolerances unless otherwise specified angles X*±1*						
dr EVIN ZHONG 060514 engr EVIN ZHONG 060514 chr HANKE FENG 060514 appd SHI JUN 060514				type CUSTOMER Drawing		
sheet index	revision sheet	A	1			