

URL Electric data of this product (Instruction Manual, CAD data) can be download from the following web site;
http://industrial.panasonic.com/ww/i_e/25000/motor_fa_e/motor_fa_e.html

Contact :

ISO 9001
ISO9001
Certificate
division

ISO 14001
ISO14001
Certificate
division

Panasonic Corporation,
Appliances Company,
Motor Business Division

1-1 Morofuku 7-chome, Daito, Osaka 574-0044, Japan
Tel : +81-72-871-1212
Fax: +81-72-870-3151

**The contents of this catalog apply
to the products as of May 2014.**



EtherCAT communication driver EtherCAT MINAS A5B

Panasonic Corporation, Appliances Company, Motor Business Division

http://industrial.panasonic.com/ww/i_e/25000/motor_fa_e/motor_fa_e.html

• This product is for industrial equipment. Don't use this product at general household.

• This product is for industrial equipment. Don't use this product at general household.
 • Printed colors may be slightly different from the actual products. • Specifications and design of the products are subject to change without notice for the product improvement. <14.5>

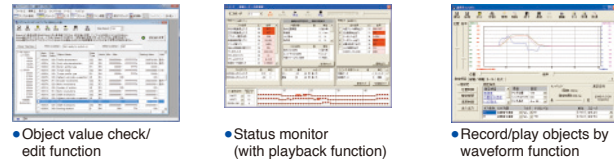
EtherCAT communication driver MINAS A5B series

High-Performance

- Frequency response: **2300 Hz**
- Supports network communication **"EtherCAT"**.
- High-Speed **100 Mbps**
- Real-time auto tuning function, Anti-vibration filters are available.

Operability

- Smallest **EtherCAT** drive in market.
- Supports pc setup software **"PANATERM"**



High-functions

- **EtherCAT** with many supported applications <7 control modes, 32 hm methods, DC(Synch), SM2(Synch), FreeRUN (Non-synch)>
- System-up possible with various slaves.
- Supports PC-based controller.

Standards EtherCAT

- Passed Official **EtherCAT Conformance Test**.
- IEC safety I/F model available.*1

*1:Supported by special specification. IEC61800-5-2 STO, IEC61508 SIL2.

Applicable international safety standards



Driver line-up

Drive power supply	Motor rated output (Because there is the case that is different from the part number in the table by the motor, please check the combination in the catalog of the A5 series always.)										
	50 W	100 W	200 W	400 W	750 W	1 kW to 1.5 kW	2 kW	3 kW	4 kW to 5 kW	7.5 kW	11 kW to 15 kW
Single phase AC100 V to 120 V	MADH T1105 B**	MADH T1107 B**	MBDH T2110 B**	MCDH T3120 B**							
Single/3-phase AC200 V to 240 V	MADH T1505 B**	MADH T1507 B**	MBDH T2510 B**	MCDH T3520 B**	MDDH T5540 B**						
3-phase AC200 V to 230 V						MEDH T7364 B**	MFDH TA390 B**	MFDH TB3A2 B**	MGDH TC3B4 B**	MHDH TC3B4 B**	
3-phase AC380 V to 480 V					MDDH T2412 B**	MDDH T3420 B**	MEDH T4430 B**	MFDH T5440 B**	MFDH TA464 B**	MGDH TB4A2 B**	MHDH TB4A2 B**

Symbols of part number **M A D H T 1 5 0 5 B * ***

Frame symbol

Symbol	Frame	Symbol	Frame	Symbol	Frame
A	A-frame	D	D-frame	G	G-frame
B	B-frame	E	E-frame	H	H-frame
C	C-frame	F	F-frame		

* Please refer to the following pages for dimensions.

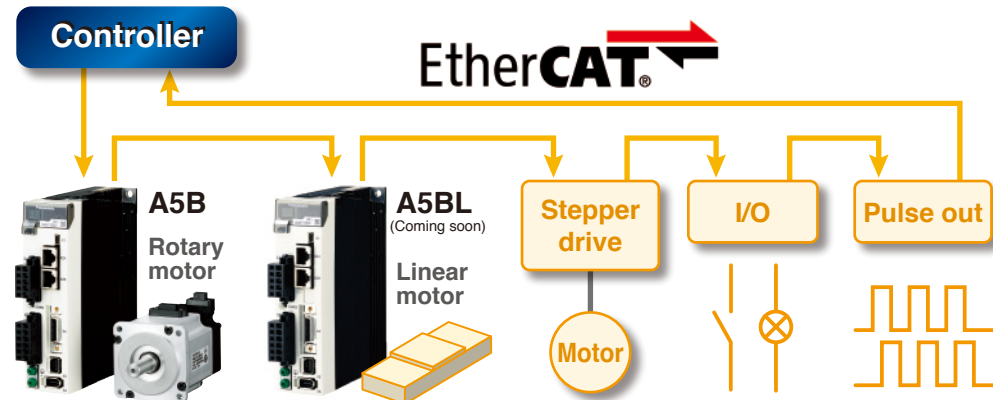
Supply voltage specifications

Symbol	Specifications
1	Single phase, 100 V
3	3-phase, 200 V
4	3-phase, 400 V
5	Single/3-phase, 200 V

Special specifications

Symbol	Specifications
A1	For rotary motor(standard)
01	For rotary motor+safety circuit I/F
L1	For linear motor (Coming soon)
91	For linear motor+safety circuit I/F (Coming soon)

System configuration example

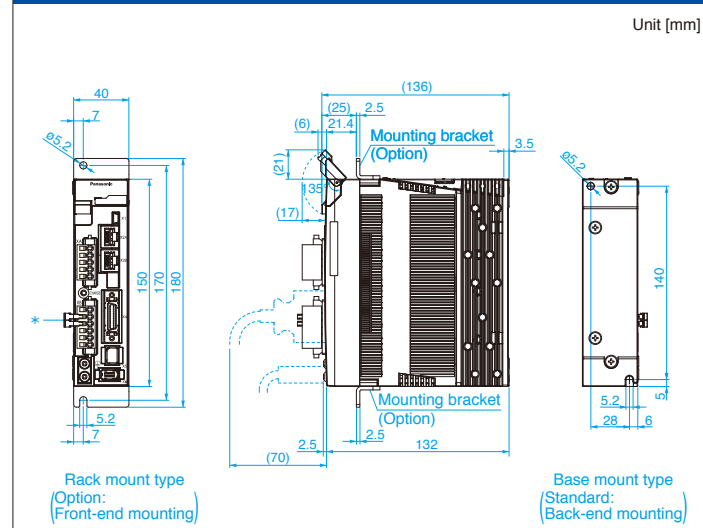


EtherCAT specification

Device profile	CoE (CANOpen over EtherCAT)
Control mode	csp, pp, hm, csv, cst, pv, tq
hm method (homing mode)	1 to 14, 17 to 30, 33, 34, 35, 37
Synchronized mode	DC(Synch.), SM2(Synch.) FreeRun(Non-synch.)
Minimum cycle time	250 μs

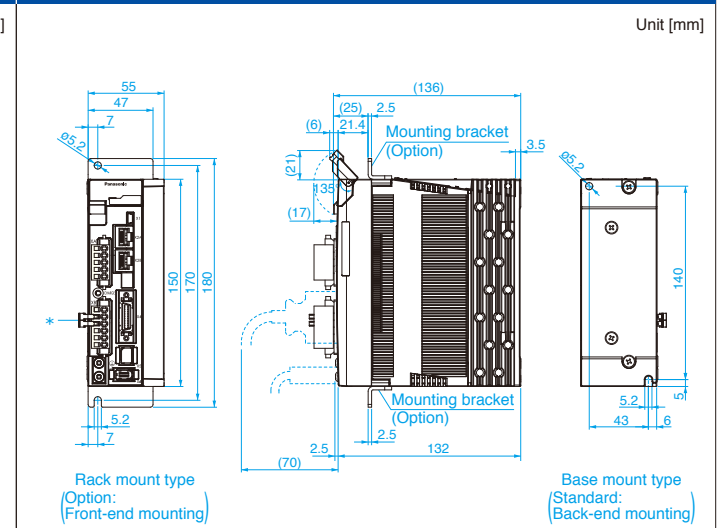
Dimensions of Driver

A-frame (100 V/200 V)



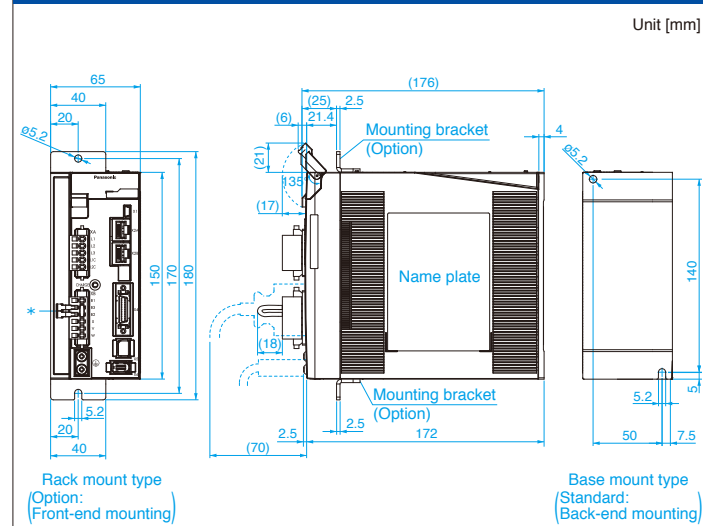
Mass: 0.8 kg

B-frame (100 V/200 V)



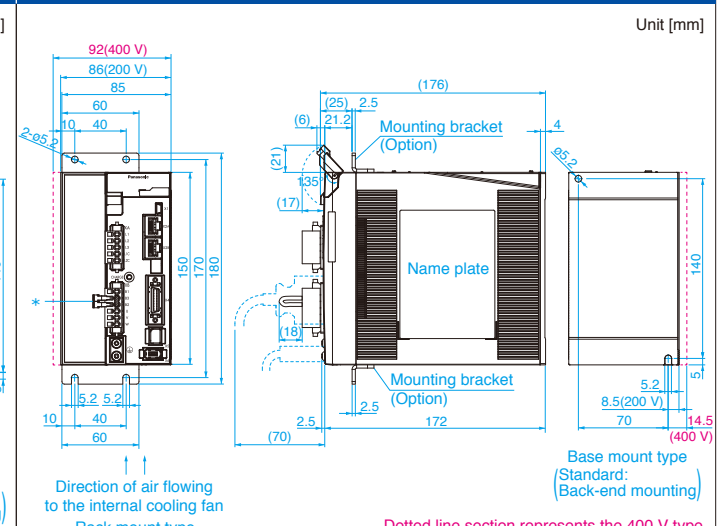
Mass: 1.0 kg

C-frame (100 V/200 V)



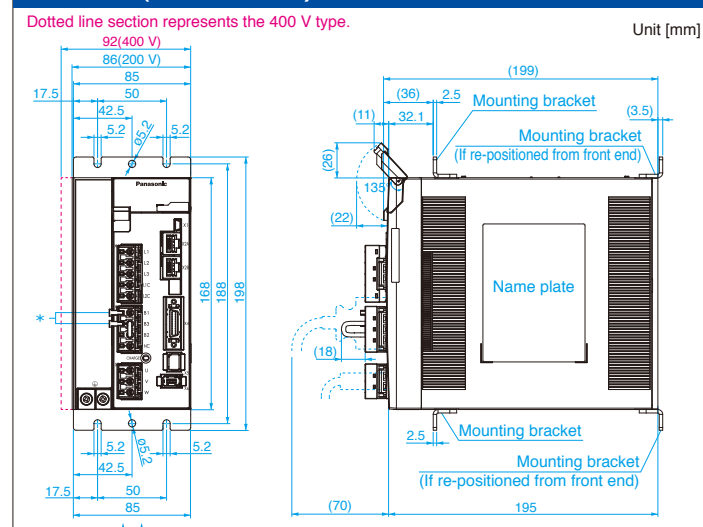
Mass: 1.6 kg

D-frame (200 V/400 V)



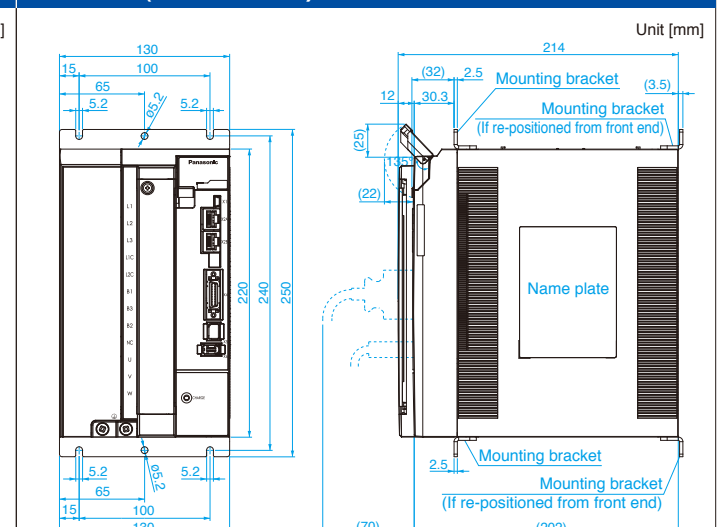
Mass: 200 V 1.8 kg
Mass: 400 V 1.9 kg

E-frame (200 V/400 V)



Mass: 2.7 kg

F-frame (200 V/400 V)



Mass: 200 V 4.8 kg
Mass: 400 V 4.7 kg