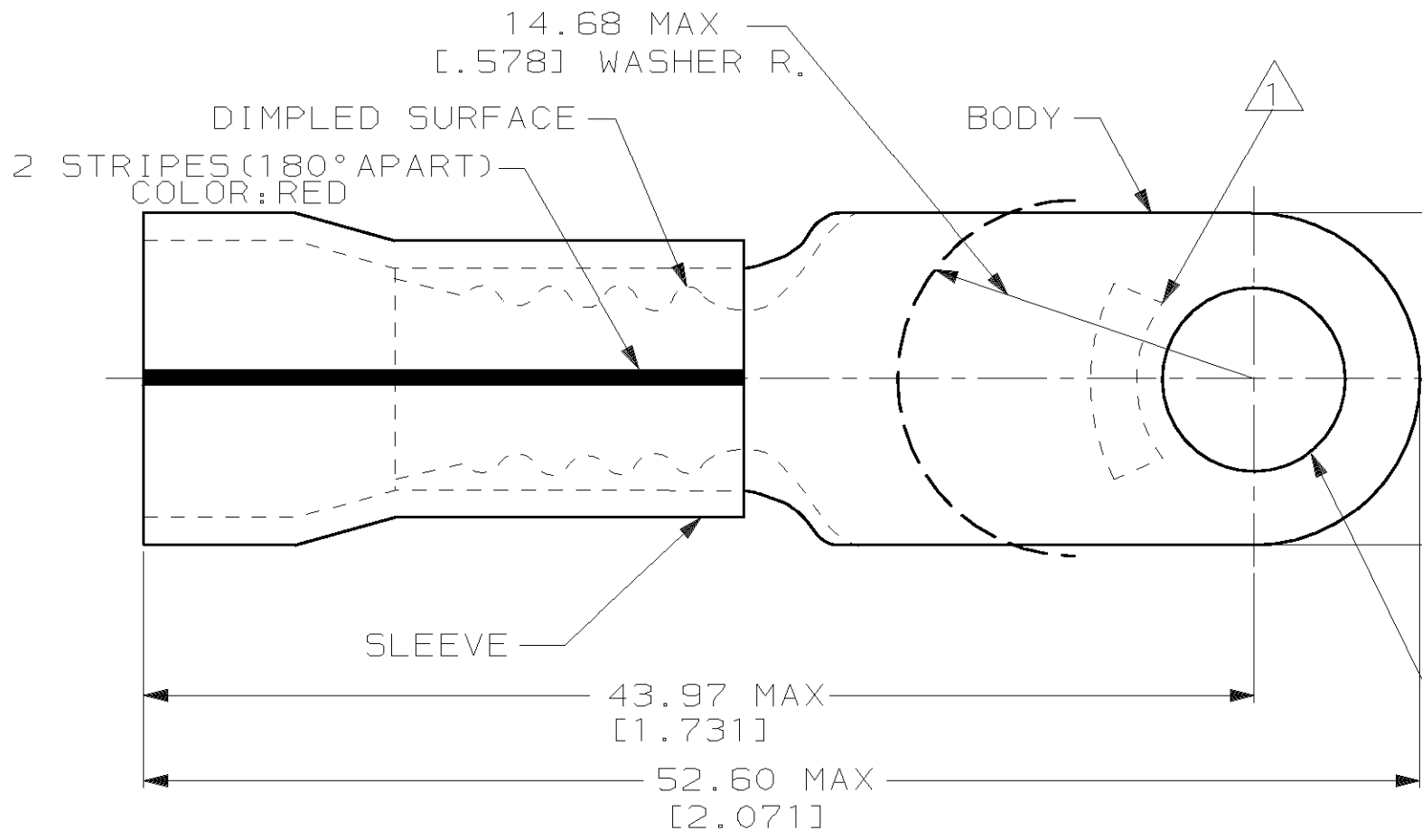


THIS DRAWING IS UNPUBLISHED. RELEASED FOR PUBLICATION ,19 .

© COPYRIGHT 19 BY AMP INCORPORATED. ALL INTERNATIONAL RIGHTS RESERVED.

LOC G	DIST 14	P	F	REVISIONS			DATE	APPD
				ZONE	LTR	DESCRIPTION		
					E	REVISED PER 063A-0246-99	15NOV99	SR CP



AMP
WIRE RANGE

2 AWG
STRANDED

METRIC

DIMENSIONS LISTED IN mm [INCHES]

NOTE:
 1. STAMP AMP 2* LOCATE APPROX AS SHOWN
 2. TONGUE MATERIAL THK 1.45±0.08 [.057±.003]
 3. WIRE INSULATION DIA 14.22 [.560] MAX

6.73±0.13 [.265±.005] DIA
(FOR 1/4 STUD)

AMP INCORPORATED CUSTOMER SERVICE SYSTEMS		MAX RECOMMENDED OPERATING TEMPERATURE:	50	LOOSE PC	53977-1
		150°c	QTY	PACKAGE TYPE	PART NO
FOR ADDITIONAL PRODUCT INFORMATION OR COPIES OF DRAWINGS AND TECHNICAL DOCUMENTS	PRODUCT INFORMATION CENTER 1-800-522-6752	VOLTAGE RATING: 600 V MAX	AMP Incorporated Harrisburg, PA 17105-3608		
FOR APPLICATION TOOLING INFORMATION	TOOLING ASSISTANCE CENTER 1-800-722-1111	CIRCULAR MIL AREA: 26.65-42.41mm ² [52, 600-83, 700] STRANDED	NAME TERMINAL, RING TONGUE, PVF ² , PLASTI-GRIP, WIRE SIZE: 2 AWG		
FOR ORDER ENTRY	1-800-526-5142	FINISH TIN/LEAD (93-7) PER ASTM B545	SIZE B	CAGE CODE 00779	DRAWING NO C-53977
THIS DRAWING IS A CONTROLLED DOCUMENT FOR AMP INCORPORATED. IT IS SUBJECT TO CHANGE AND THE CONTROLLING ENGINEERING ORGANIZATION SHOULD BE CONTACTED FOR THE LATEST REVISION.		DO NOT SCALE PRINT. UNLESS SPECIFIED DIMENSIONS IN mm [INCHES] TOLERANCES ON: 2 PLC DEC ± 0.20 [.008] 3 PLC DEC ± - ANGLES ± -	DR 10-7-93 S.S. GOULDEN	SCALE NTS	
		MATERIAL COPPER PER ASTM B-152 PVF ² , COLOR: NATURAL	CHK 10-7-93 R. HERSEY	SHEET 1 OF 1	
		DR 10-7-93 S.S. GOULDEN	APPD 10-7-93 B. BARE	WEIGHT -	
		APPD 10-7-93 M. ELLIS	PRODUCT SPEC NOT AVAILABLE		
		FINISH TIN/LEAD (93-7) PER ASTM B545	APPLICATION SPEC NOT AVAILABLE		