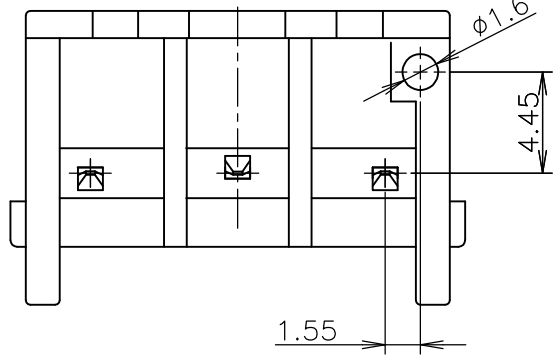
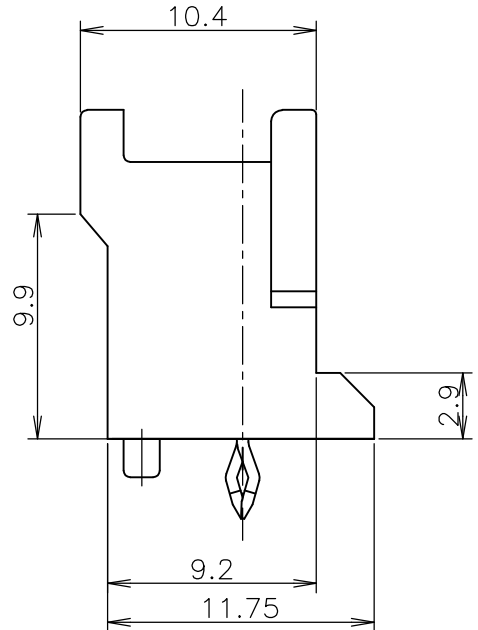
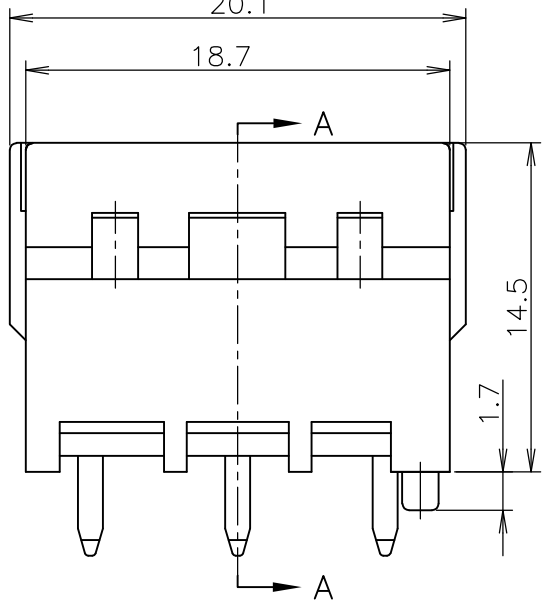
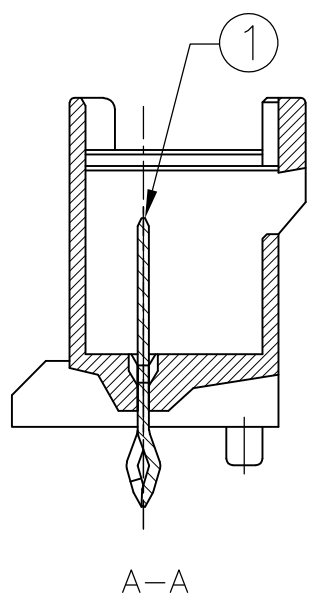
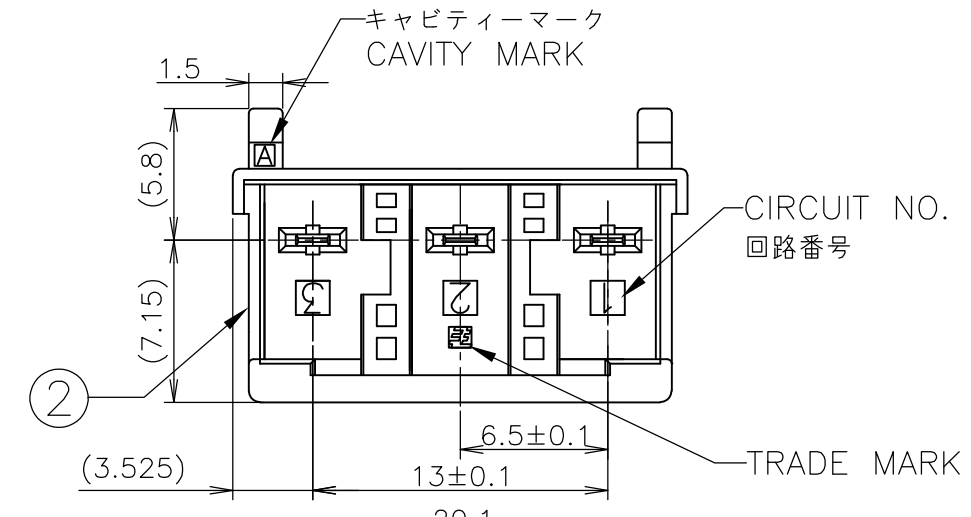


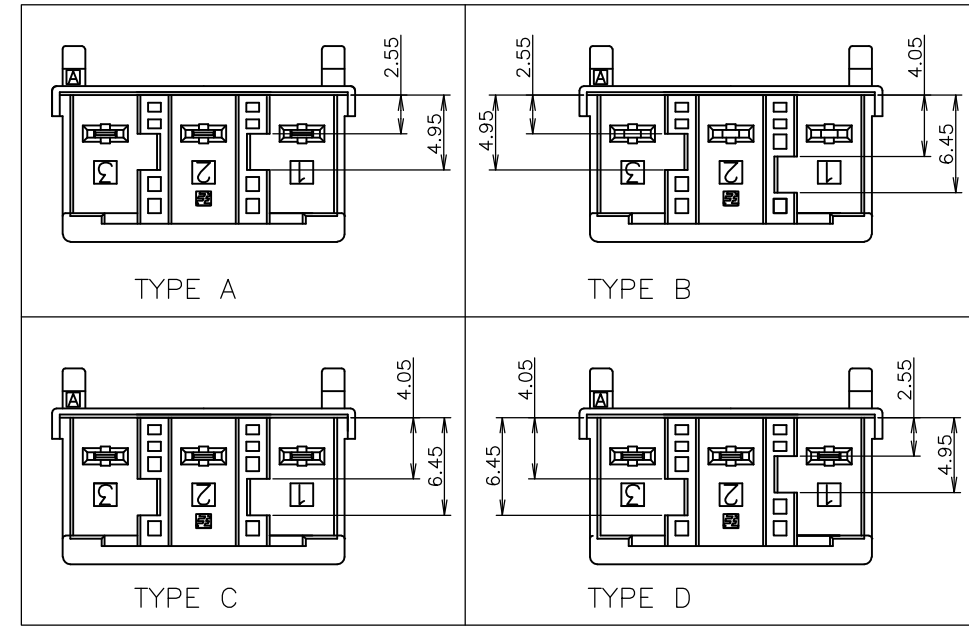
THIS DRAWING IS UNPUBLISHED. RELEASED FOR PUBLICATION AUG, 2004.
 © COPYRIGHT 2004 BY TYCO ELECTRONICS CORPORATION. ALL INTERNATIONAL RIGHTS RESERVED.

| LOC | DIST | REVISIONS | | | DATE | DWN | APVD |
|-----|------|-----------|---------|---------------|-----------|-----|------|
| J | / | P | LTR | DESCRIPTION | | | |
| | | B1 | REVISED | ECR-10-019260 | 14SEP2010 | T.T | T.M |
| | | B2 | REVISED | ECR-14-018424 | 18DEC2014 | A.Q | D.Z |

-1747049-; AS SHOWN



KEYING TYPE



- ① 取付穴寸法
- ② 適応基板厚: 1.6t
- ③ かん合相手製品型番:
プラグハウジング: SEE TABLE
- ④ 青色については色むらがある可能性があります。

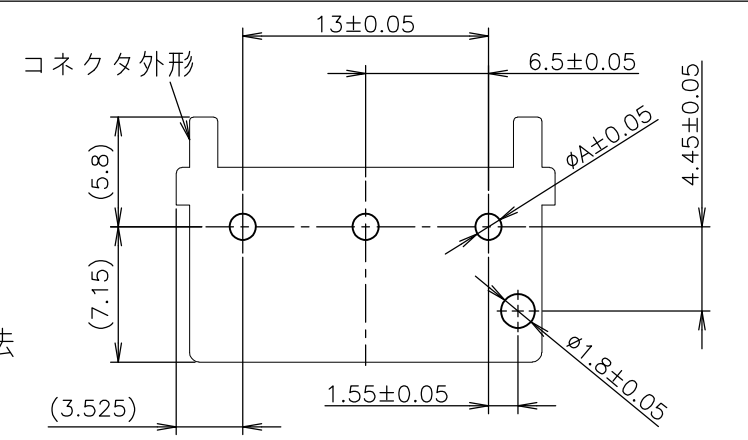
| NO. | 名称 (NAME) | 材料 (MATERIAL) |
|-----|----------------------------|---------------------------------------|
| ② | ヘッダーハウジング (HEADER HOUSING) | 6/6ナイロンガラス強化 (6/6 NYLON GLASS FILLED) |
| ① | タブ (TAB) | 錫めっき仕様 銅合金 (COPPER ALLOY TIN PLATED) |

- ① RECOMMENDED P.C.B LAY OUT
- ② APPLICABLE P.C.B. THICKNESS: 1.6
- ③ MATING CONN. P/N
PLUG HOUSING: SEE TABLE
- ④ UNEVEN COLORING MAY COME OUT OF BLUE.
- ⑤ PRELIMINARY-NOT FOR PRODUCTION

| Part No. | Keying | Type | Color | Pos | Part No. |
|-------------|----------------|--------|-------------|---------|-------------|
| 2-1747047-1 | キック有 WITH KINK | TYPE A | 青色 BLUE | 3極 3POS | 2-1747049-1 |
| 3-1747047-4 | キック有 WITH KINK | TYPE D | 黄色 YELLOW | 3極 3POS | 3-1747049-4 |
| 2-1747047-3 | キック有 WITH KINK | TYPE C | 青色 BLUE ④ | 3極 3POS | 2-1747049-3 |
| 1-1747047-2 | キック有 WITH KINK | TYPE B | 赤色 RED | 3極 3POS | 1-1747049-2 |
| 1747047-1 | キック有 WITH KINK | TYPE A | 自然色 NATURAL | 3極 3POS | 1747049-1 |

| | |
|-------|------|
| パンチ加工 | 1.25 |
| ドリル加工 | 1.4 |
| | A寸法 |

プリント基板推奨穴加工寸法
 ①



THIS DRAWING IS A CONTROLLED DOCUMENT.

| | |
|-----------------------|---|
| DIMENSIONS: 単位: 耗 mm | TOLERANCES UNLESS OTHERWISE SPECIFIED: 一般公差 |
| 0 PLC ± 0.3 | 1 PLC ± 0.3 |
| 2 PLC ± 0.3 | 3 PLC ± 0.2 |
| 4 PLC ± 0.2 | ANGLES ± 2' |
| MATERIAL 材料 SEE TABLE | FINISH 仕上 |

THIS DRAWING IS A CONTROLLED DOCUMENT.

| | | |
|--------------------------|---|-------------------------|
| DWN A.OISHI 27AUG2004 | Tyco Electronics Corporation Kawasaki, Japan | |
| CHK N.YAMASAKI 27AUG2004 | NAME 名称 GRACE INERTIA CONNECTOR 6.5MM PITCH HEADER ASSEMBLY 3P | |
| APVD S.MANABE 27AUG2004 | PRODUCT SPEC 製品規格 108-5990 | APPLICATION SPEC 取付適用規格 |
| MATERIAL 材料 SEE TABLE | FINISH 仕上 | WEIGHT |
| CUSTOMER DRAWING | | SCALE 尺度 3:1 |
| DWN A.OISHI 27AUG2004 | | SHEET 1 OF 1 |
| CHK N.YAMASAKI 27AUG2004 | | REV B2 |