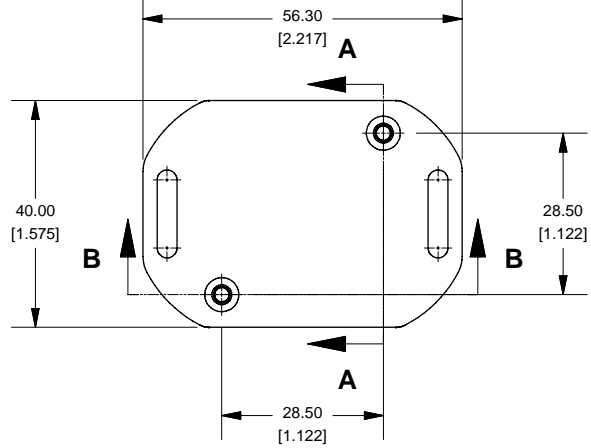


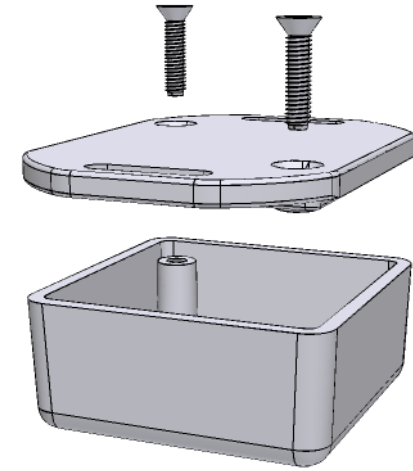
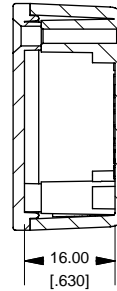
2

1

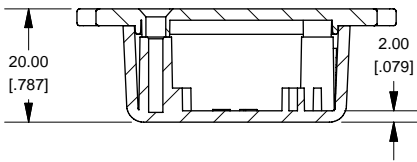
### Top View of Assembly



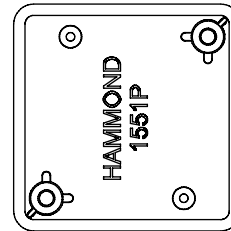
### SECTION A-A End View of Assembly



### SECTION B-B Side View of Assembly

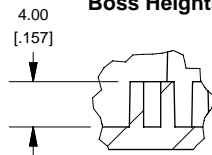


### Top View Looking Inside Box

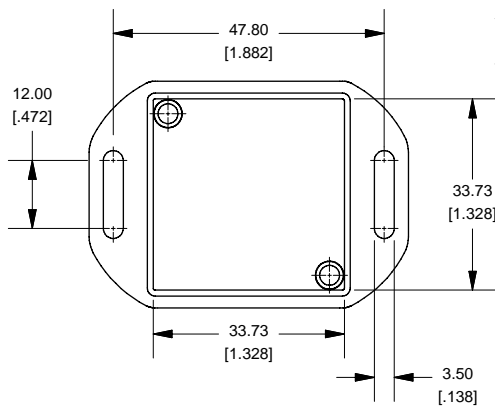


**NOTE**  
Purchased assembly includes lid and box made from GP ABS material and cover screws.

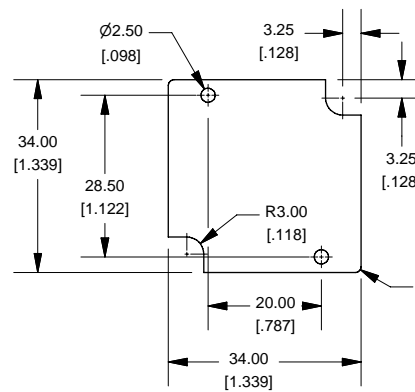
### SECTION C-C Boss Heights



### Lid



### Maximum P.C. Board Size



1551PFL	
1551PFL Enclosure	
Black Enclosure - RAL 9011 - UL94 - HB	1551PFLBK
Gray Enclosure - RAL 7035 - UL94 - HB	1551PFLGY
Translucent Blue - UL94 - HB	1551PFLTBU
ACCESSORIES	
Recommended Screw Torque: 15-20 ozf.in (10-15 cN.m)	
Black Enclosure Cover Screws (Pkg 100) X 1/2" Self Tapping	#4 1591TS100BK
Grey Enclosure Cover Screws (Pkg 100) X 1/2" Self Tapping	#4 1591TS100
P.C. Board Screws (Pkg 100) #2 x 3/16" Self Tapping	1551ATS100

**HAMMOND MANUFACTURING™**  
**1551PFL**  
www.hammondmfg.com

2

1