

PLEASE CHECK WWW.MOLEX.COM FOR LATEST PART INFORMATION

Part Number: [63885-8800](#)
Status: **Active**
Description: Mini-Mac Air Feed Mylar Tape Conductor Only Applicator

Documents:

[RoHS Certificate of Compliance \(PDF\)](#)

General

Product Family	Application Tooling
Series	T1101
Comments	See Tooling Specification (PDF) Above
Function	Crimp
Geographic Area	Global
Level of Automation	Semi-Automatic
More Detailed Tech Information	applicationtooling@molex.com
Product Name	Mini-Mac™
Survey	www.molex.com//review/apptool_survey.html
Tool Type	Applicator
UPC	884982756946

Material Info

Reference - Drawing Numbers

Application Tooling Documents	ATS-638858800
-------------------------------	---------------

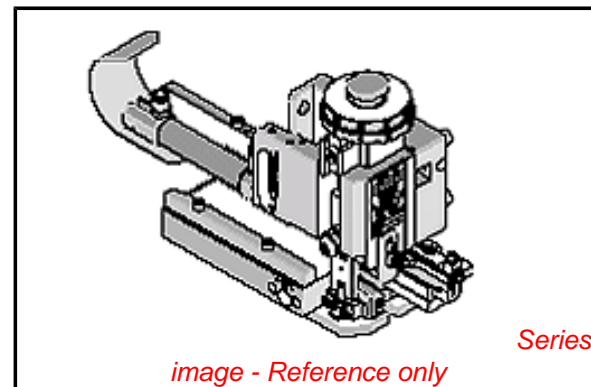


image - Reference only

EU RoHS **China RoHS**

Compliance Status

Not Reviewed

REACH SVHC

Not Reviewed

Low-Halogen Status

Not Reviewed

Need more information on product environmental compliance?

Email productcompliance@molex.com
 For a multiple part number RoHS Certificate of Compliance, [click here](#)

Please visit the [Contact Us](#) section for any non-product compliance questions.

Search Parts in this Series

[T1101Series](#)

Use With

[19016](#) , [19020](#) , [19037](#) Krimptite Quick Disconnects, Snap Plugs, Receptacles, and Spade Tongue Terminals

Application Tooling	FAQ
Description	Product #

Quixon Quick Disconnect, Krimptite™ Style, Female, Uninsulated, 18-20 AWG, Mylar Tape	0192730009
Krimptite™ Quick Disconnect, Female, for 18-22 (0.80-0.35mm ²) Wire, Mylar Tape, Tab 4.75 x 0.81mm	0190160007
Krimptite™ Quick Disconnect, Female, for 18-22	0190160008

(0.80-0.35mm²) Wire,
Mylar Tape, Tab 4.75
x 0.51mm
Krimptite™ Quick 0190160002
Disconnect,
Female, for 18-22
(0.80-0.35mm²) Wire,
Mylar Tape, Tab 2.79
x 0.51mm
Krimptite™ Quick 0190160004
Disconnect,
Female, for 18-22
(0.80-0.35mm²) Wire,
Mylar Tape, Tab 2.79
x 0.81mm
Krimptite™ Quick 0190160010
Disconnect,
Female, for 18-22
(0.80-0.35mm²) Wire,
Mylar Tape, Tab 6.35
x 0.81mm

This document was generated on 03/08/2013

PLEASE CHECK WWW.MOLEX.COM FOR LATEST PART INFORMATION