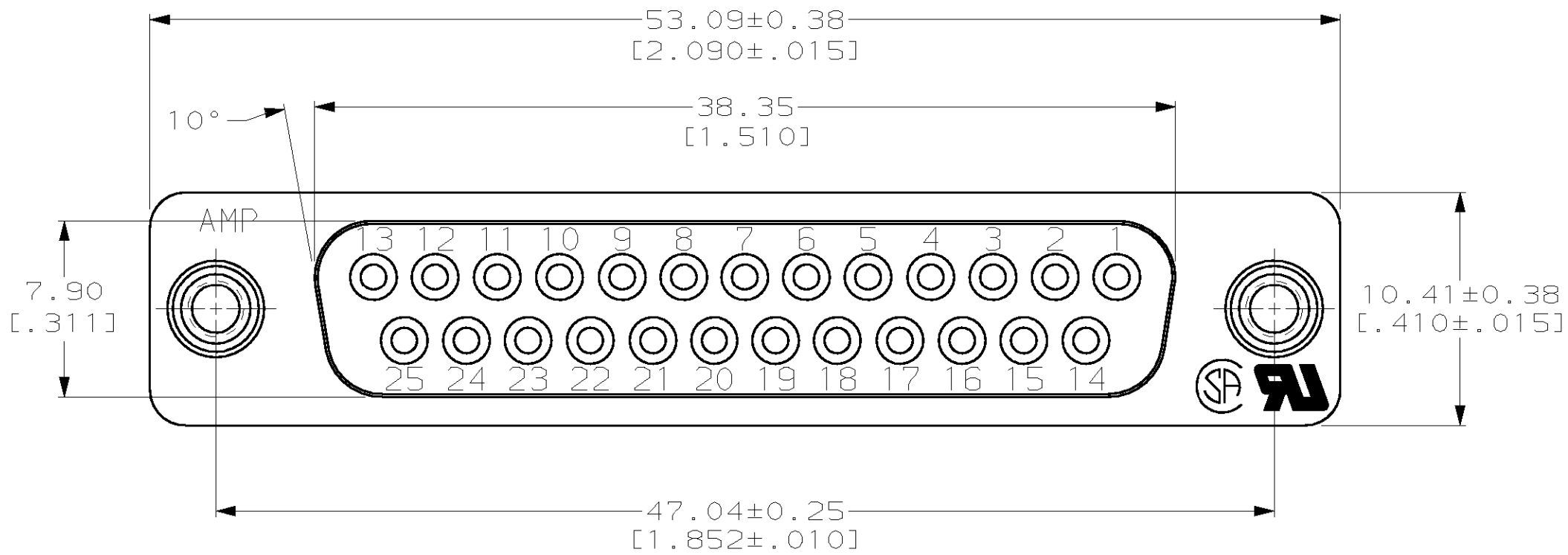
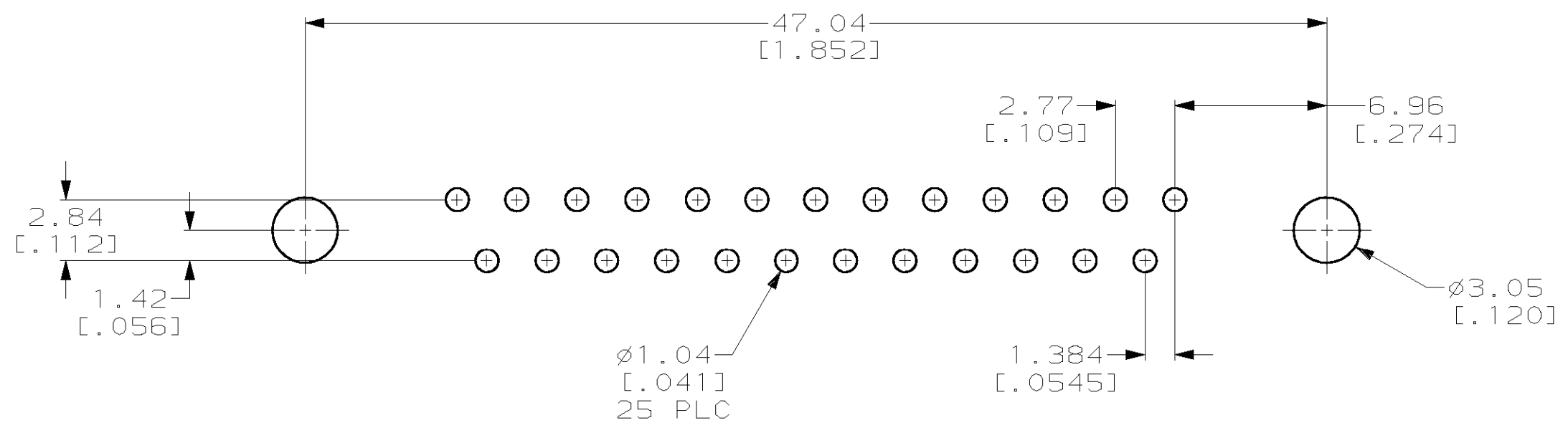
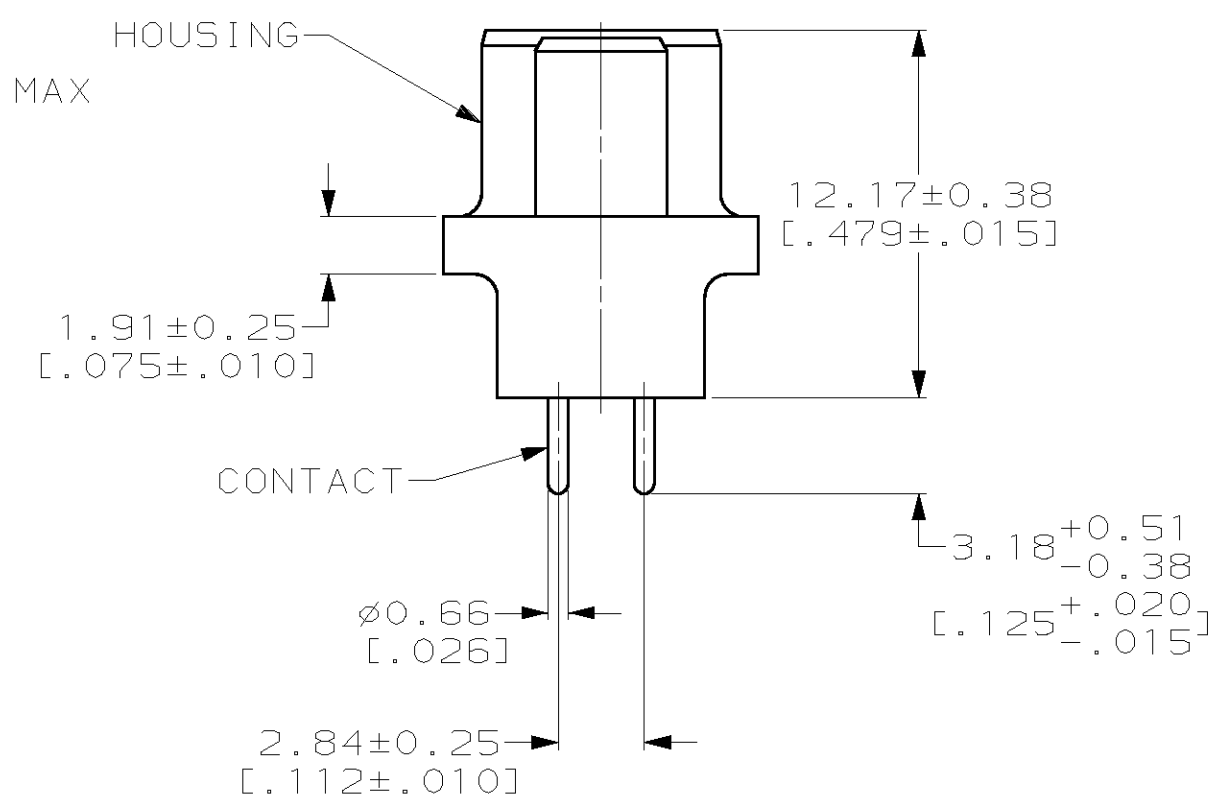
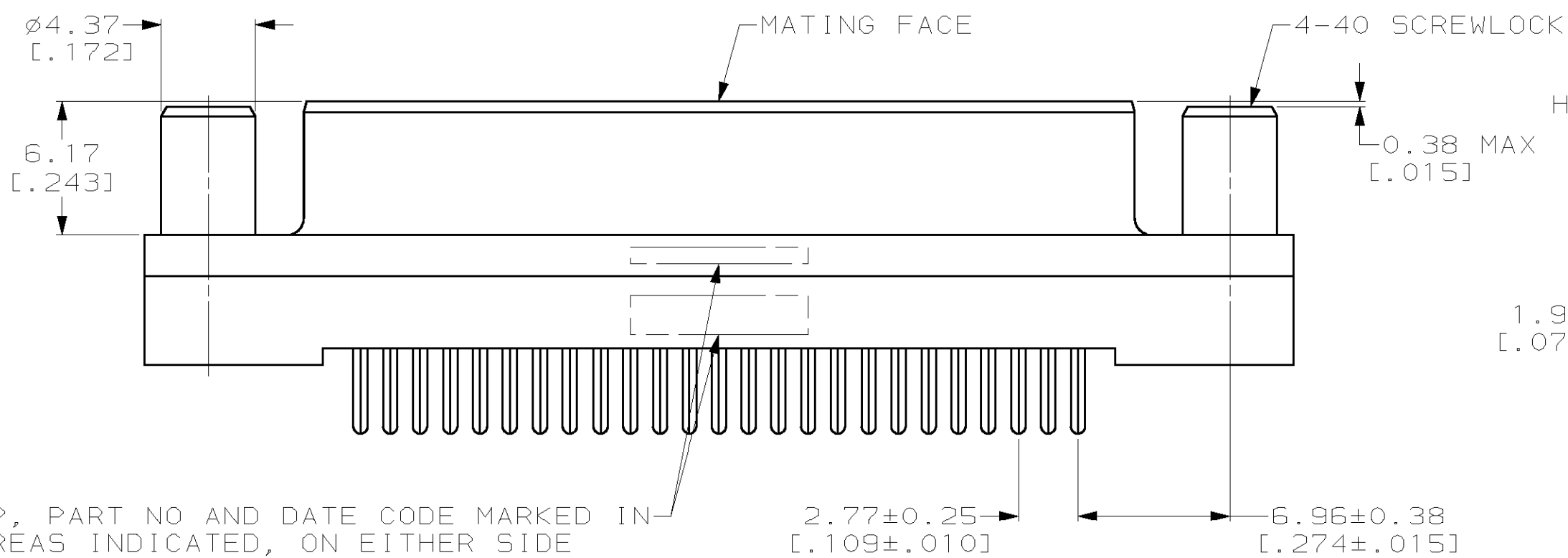


THIS DRAWING IS UNPUBLISHED. RELEASED FOR PUBLICATION .19
 (C) COPYRIGHT 19 BY AMP INCORPORATED. ALL RIGHTS RESERVED.

LOC		DIST		REVISIONS			
P	LTR	DESCRIPTION	DATE	DWN	APVD		
GP	00	0	RELEASED PER NPR	13JUL01	JG	JK	



- 1 HOUSING: GLASS FILLED NYLON, UL 94V0 RATED, COLOR BLACK.
CONTACTS: PHOSPHOR BRONZE PER QQ-B-750.
SCREWLOCKS: BRASS QQ-B-626.
- 2 GOLD PLATING PER MIL-G-45204, TIN PLATING PER MIL-T-10727,
NICKEL PLATING PER QQ-N-290, COPPER PLATING PER MIL-C-14550.
- 3 CONTACTS: 0.00076[.00030] MIN GOLD FOR A LENGTH OF 2.54[.100]
MIN FROM MATING END, 0.00254[.000100] MIN TIN OR TIN-LEAD FOR
A LENGTH OF 3.18[.125] FROM SOLDER END, ALL OVER 0.00127
[.000050] NICKEL.
SCREWLOCKS: 0.00127[.000050] MIN NICKEL OVER COPPER FLASH.
- 4. ASSEMBLY IS COMPATIBLE WITH TYPICAL HIGH TEMPERATURE SOLDERING
APPLICATIONS TO A MAXIMUM OF 225°C FOR A MAXIMUM DURATION OF
90 SECONDS.



RECOMMENDED PC BOARD
MOUNTING DIMENSIONS

COPYRIGHT 2001
TYCO ELECTRONICS CORP
ALL RIGHT RESERVED

THIS DRAWING IS A CONTROLLED DOCUMENT.		DWN J.GERACE 13JUL01	AMP Incorporated Harrisburg, PA 17105-3608	
DIMENSIONS: mm (INCHES)		CHK J.KOPPENHEFFER 13JUL01	NAME RECEPTACLE ASSEMBLY, SIZE 3, 25 POS, VERTICAL, AMPLIMITE™ HD-20	
TOLERANCES UNLESS OTHERWISE SPECIFIED:		APVD S.GOOD 13JUL01	PRODUCT SPEC 108-40025	SIZE A2
0 PLC ±- 1 PLC ±- 2 PLC ±0.13(.005) 3 PLC ±- 4 PLC ±- ANGLES ±2°		APPLICATION SPEC	SCALE 4:1	SHEET 1 OF 1
MATERIAL 1	FINISH 2 3	WEIGHT -	CAGE CODE A200779	DRAWING NO 788833
CUSTOMER DRAWING			RESTRICTED TO -	REV 0

788833

788833-1
PART
NUMBER