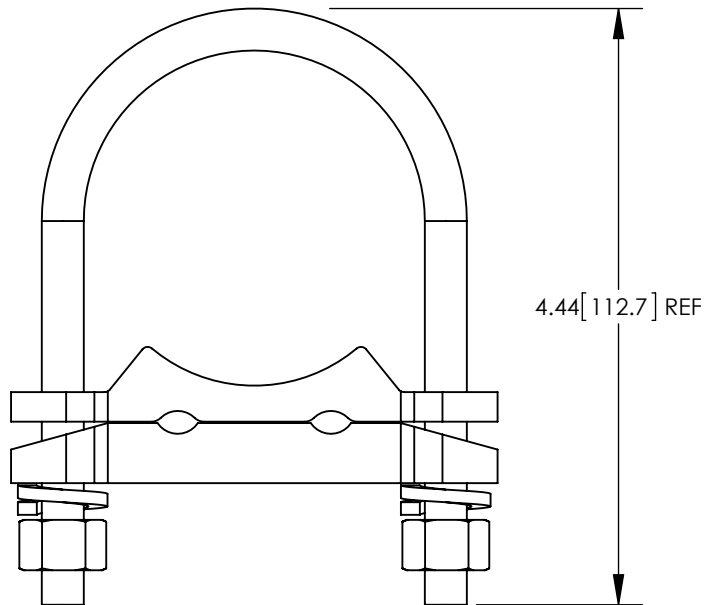
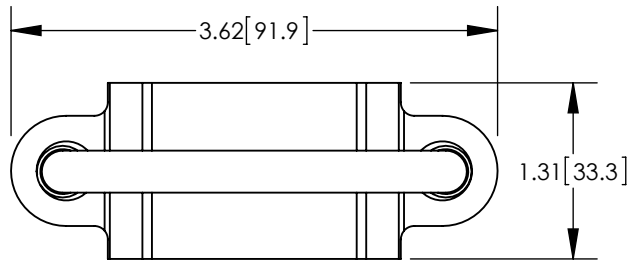


THIS COPY IS PROVIDED ON A RESTRICTED BASIS AND IS NOT TO BE USED IN ANY WAY DETRIMENTAL TO THE INTERESTS OF PANDUIT CORP.



NOTES:

1. MATERIAL:
BODY: BRONZE (GUN METAL)
NUT/WASHER: PHOS. BRONZE
2. PARTS ARE cULus LISTED TO UL467 AS
GROUNDING & BONDING EQUIPMENT
3. RATED FOR DIRECT BURIAL
4. DIMENSIONS IN PARENTHESIS ARE MILLIMETERS.
5. PACKAGING QTY:
X = 10



DB
RATED

PART NUMBER	DESCRIPTION	WIRE RANGE	PIPE SIZE
GU-11-X	GROUND CLAMP CONNECTOR	4 SOL - 2/0 STR	2"

REV	DATE	BY	CHK	APR	DESCRIPTION	ECN
00	9/13	JHNU	SRBI	RGB	DRAWING RELEASED	13J051AD-JC

TITLE GROUND CLAMP (GU-11-X) CUSTOMER DRAWING	
ITEM REVISION NAME	13J051AD/00
DATASET FILE NAME	13J051AD-JC/00.SLDDRW
UNLESS OTHERWISE SPECIFIED, DIMENSIONAL TOLERANCES ARE: IN [mm] .X ± .XXX ± .XX ± .2 [5.2] ANGLES ±	
THIRD ANGLE PROJECTION	
DRAWING NUMBER 13J051AD-JC	



MATERIAL	SEE NOTES
DRAWING NUMBER	13J051AD-JC
SHEET	1 OF 1
SIZE	A

REV	DATE	BY	CHK	APR	DESCRIPTION	ECN	DRAWN BY	DATE	CHK	SCALE	SHEET	SIZE
							JHNU	9/13	SRBI	NONE	1 OF 1	A