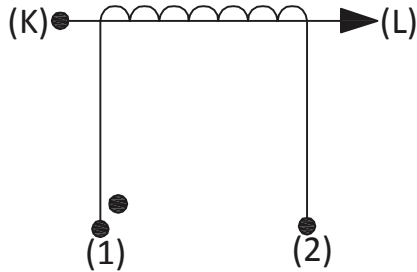




Product Type	Current Transformer
AMGIS Part Number	CT1015

SCHEMATIC:



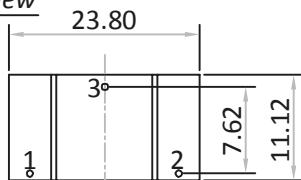
ELECTRICAL SPECIFICATION:

Rated input current	= 15Amps
Primary to Secondary isolation	= 2500VAC
Operating Frequency	= 50 / 60 Hz
Turns Ratio	= 1 : 1000
DC Resistance	= 41.80 Ω
Output Voltage	= 1.5V @ 15A / 100Ω, 0.0230W
Io @ Vrms : 1.99V	= 513μArms
Ratio Correction factor (RCF*)	= 1.01 @ 10% (Multiply current reading by this factor to compensate for transformer losses)

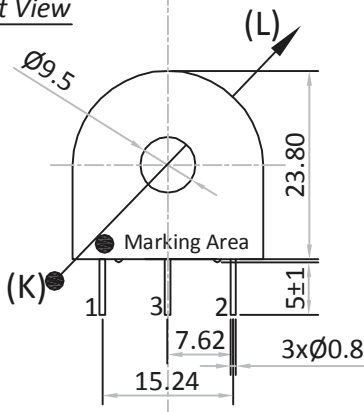
Volt/Amp at rated Ip for different loads			
100Ω	500Ω	2000Ω	5000Ω
0.10	0.46	0.90	1.12

MECHANICAL SPECIFICATION:

Pin Side View



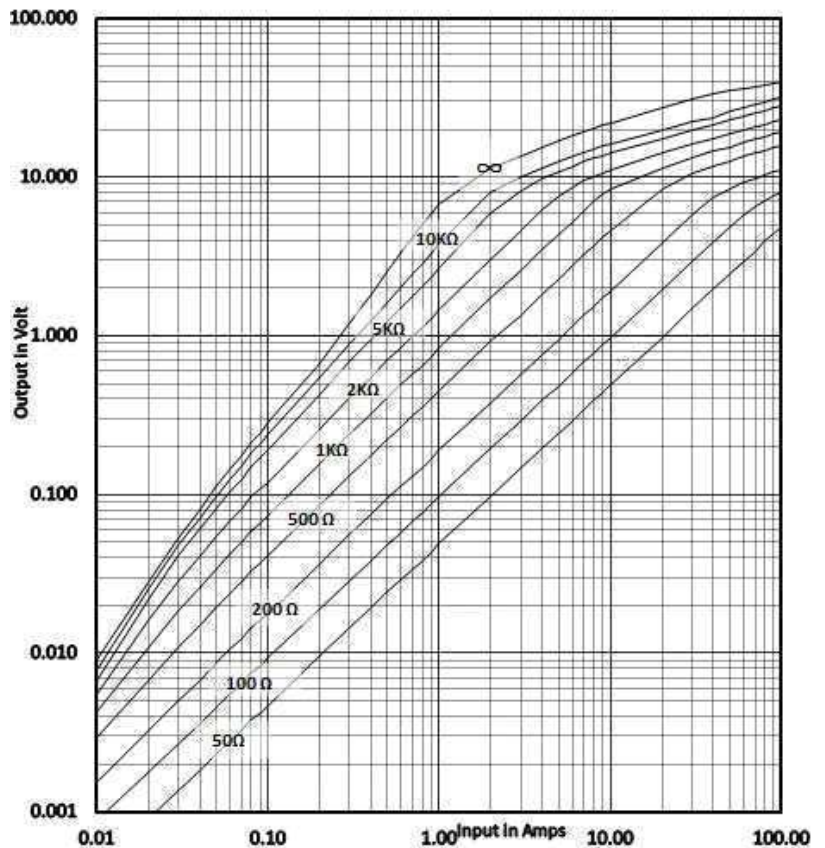
Front View



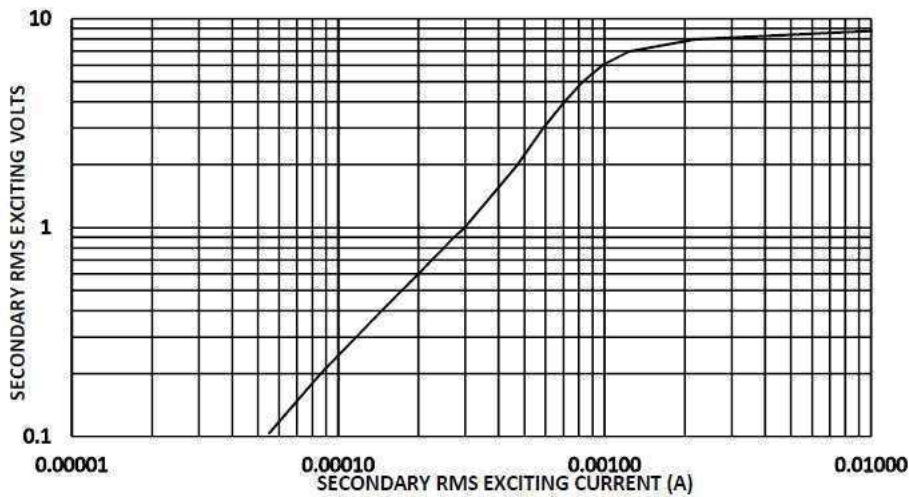
All dimensions are in mm  
Linear dimensional tolerance ±0.2mm

Note : Un-Used pin → #3

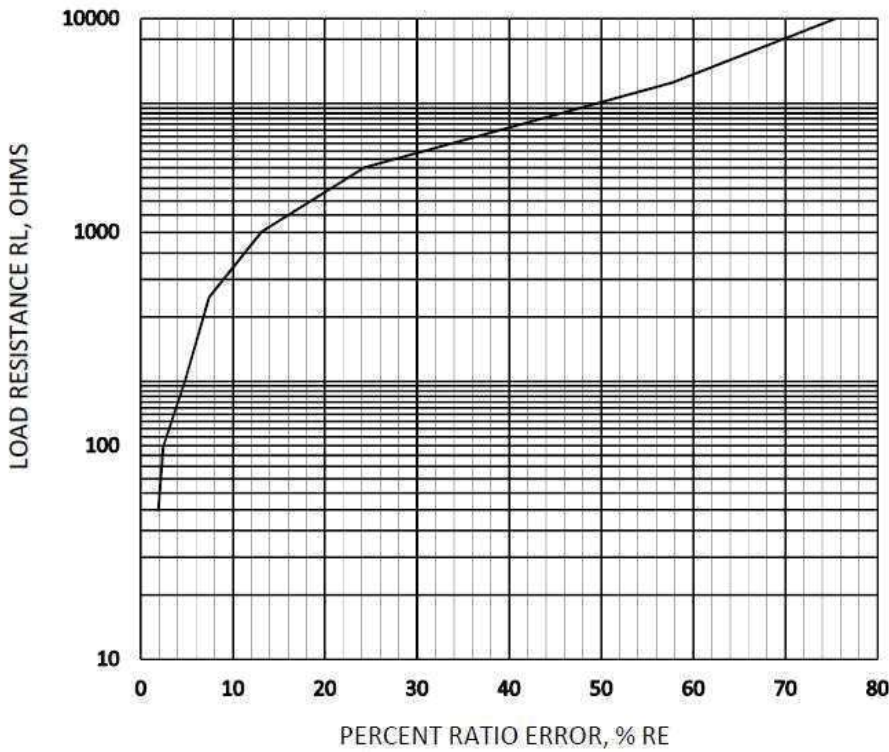
OUTPUT RESPONSE vs INPUT CURRENT @ RATED BURDEN :



TYPICAL EXCITATION CURVE :



RATIO ERROR (%) vs RATED BURDEN @ INPUT CURRENT :



TRAFO WEIGHT:

Approx. Weight = 0.0163 kg / pc

MARKING INFORMATION:

Amgis  
CT1015  
Yr/Wk code  
●  
Dot mark for Start pin identification

-----Initial Issue-----	1	0	Balaji. R	18-Nov'2015
Changes	Issue	Rev	Initial	Date