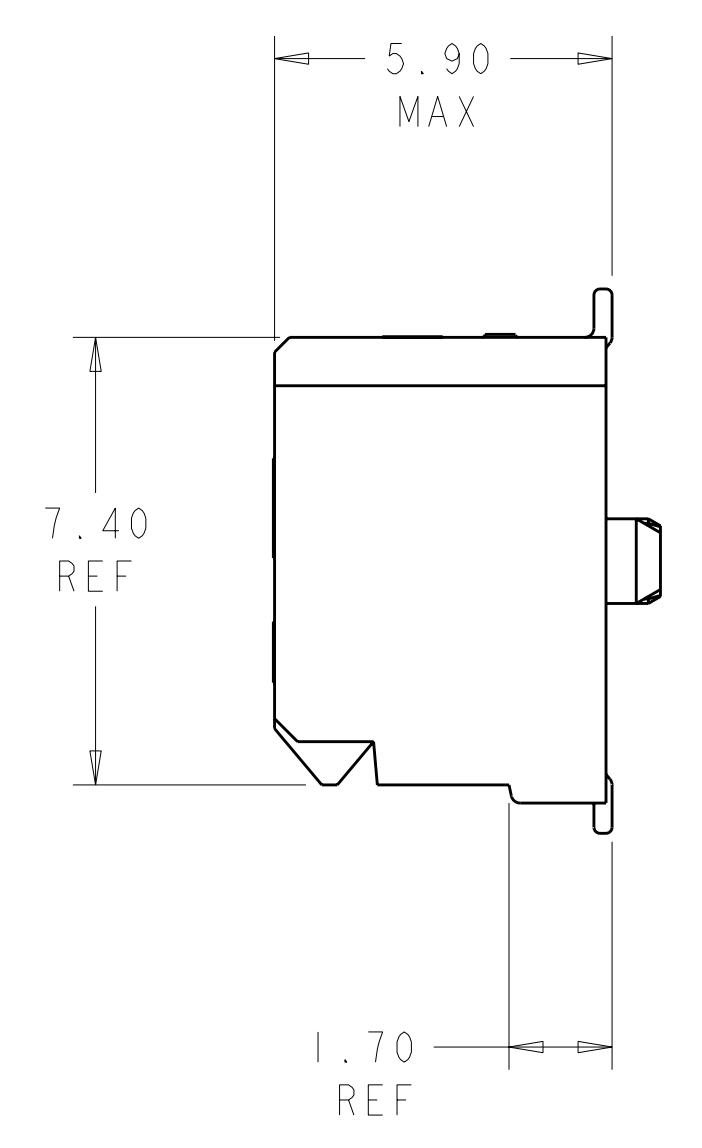
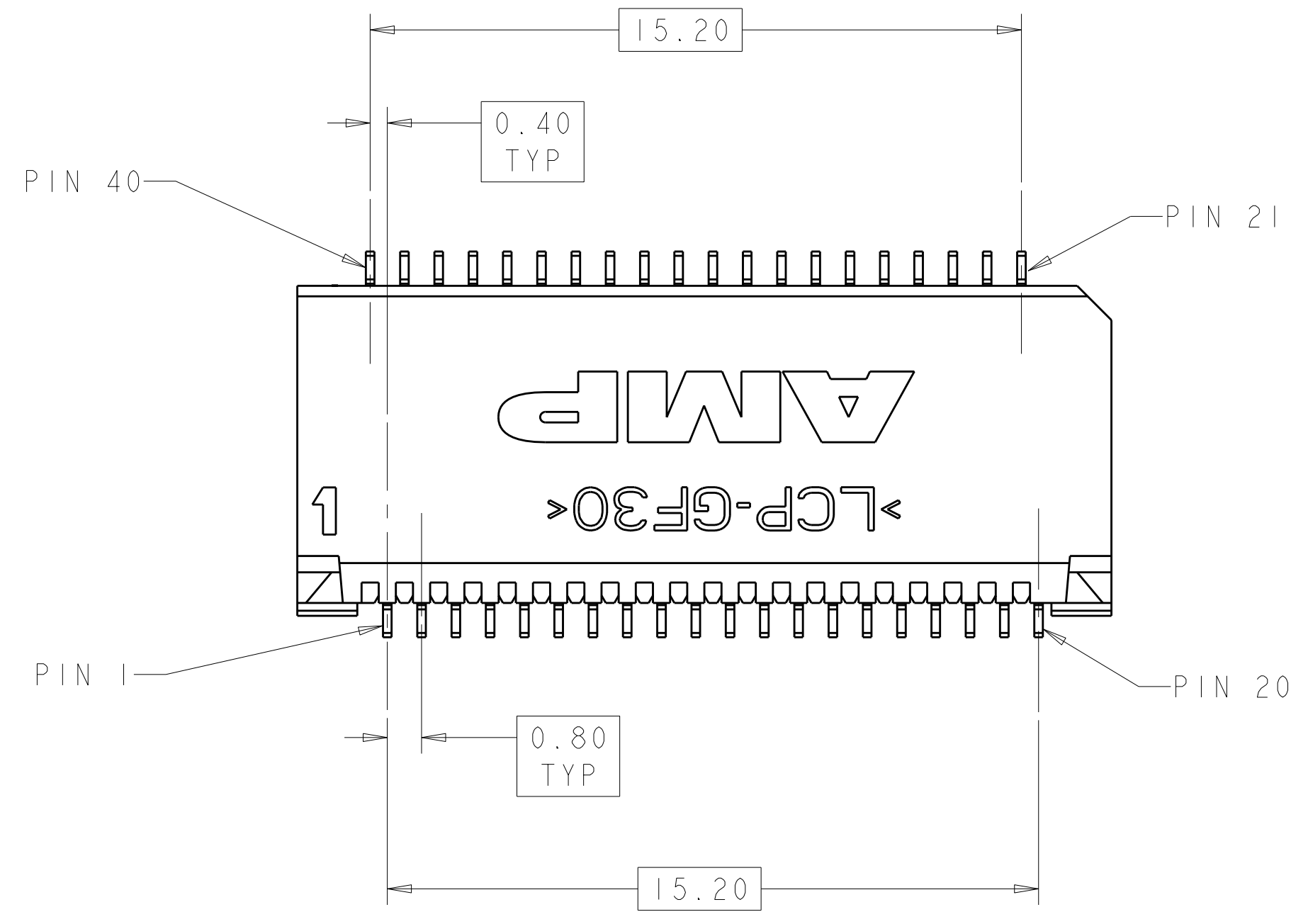
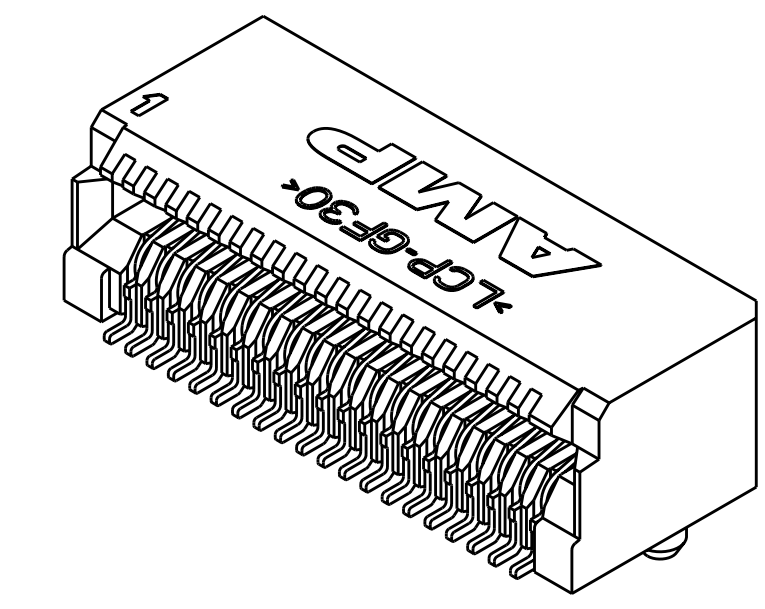


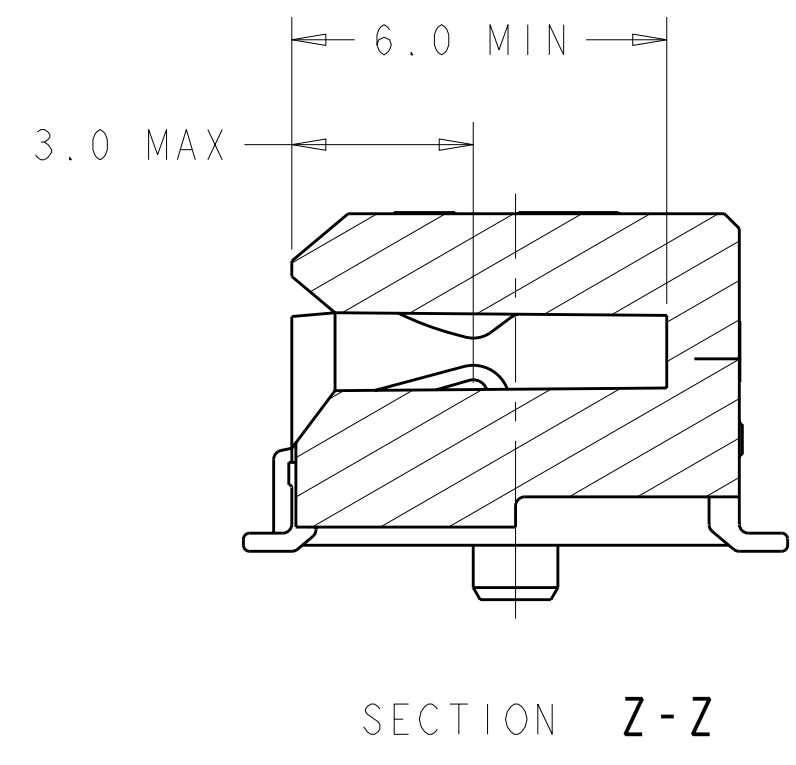
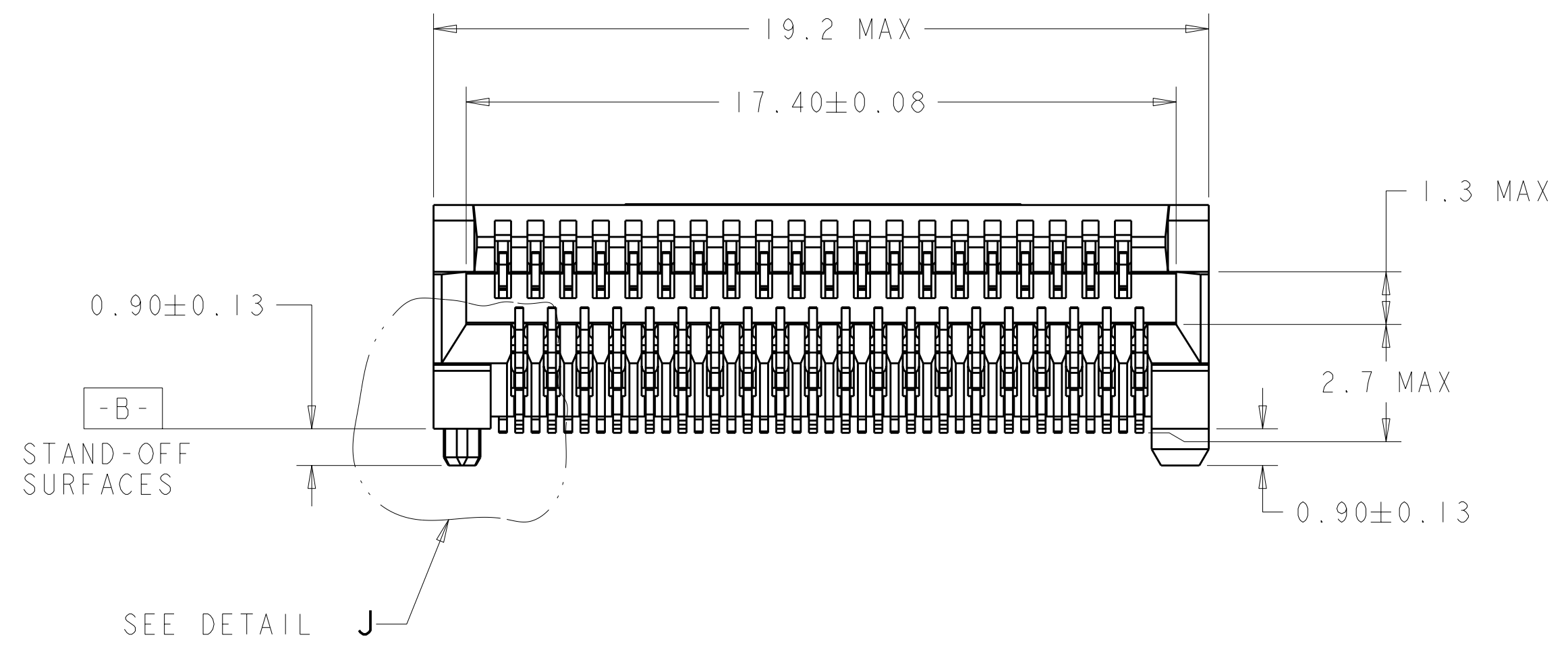
LOC	DIST	REV	DATE	BY	APPD
ES	00				
REVISIONS					
C		REVISED PER EC 0513-0307-05	22FEB06	BM	SS
D		REVISED PER EC 0513-0220-05	22FEB06	BM	SS
E		REVISED PER ECO-06-011603	15NOV06	BM	SS
F		REVISED PER ECR-07-025522	25OCT07	LL	SY



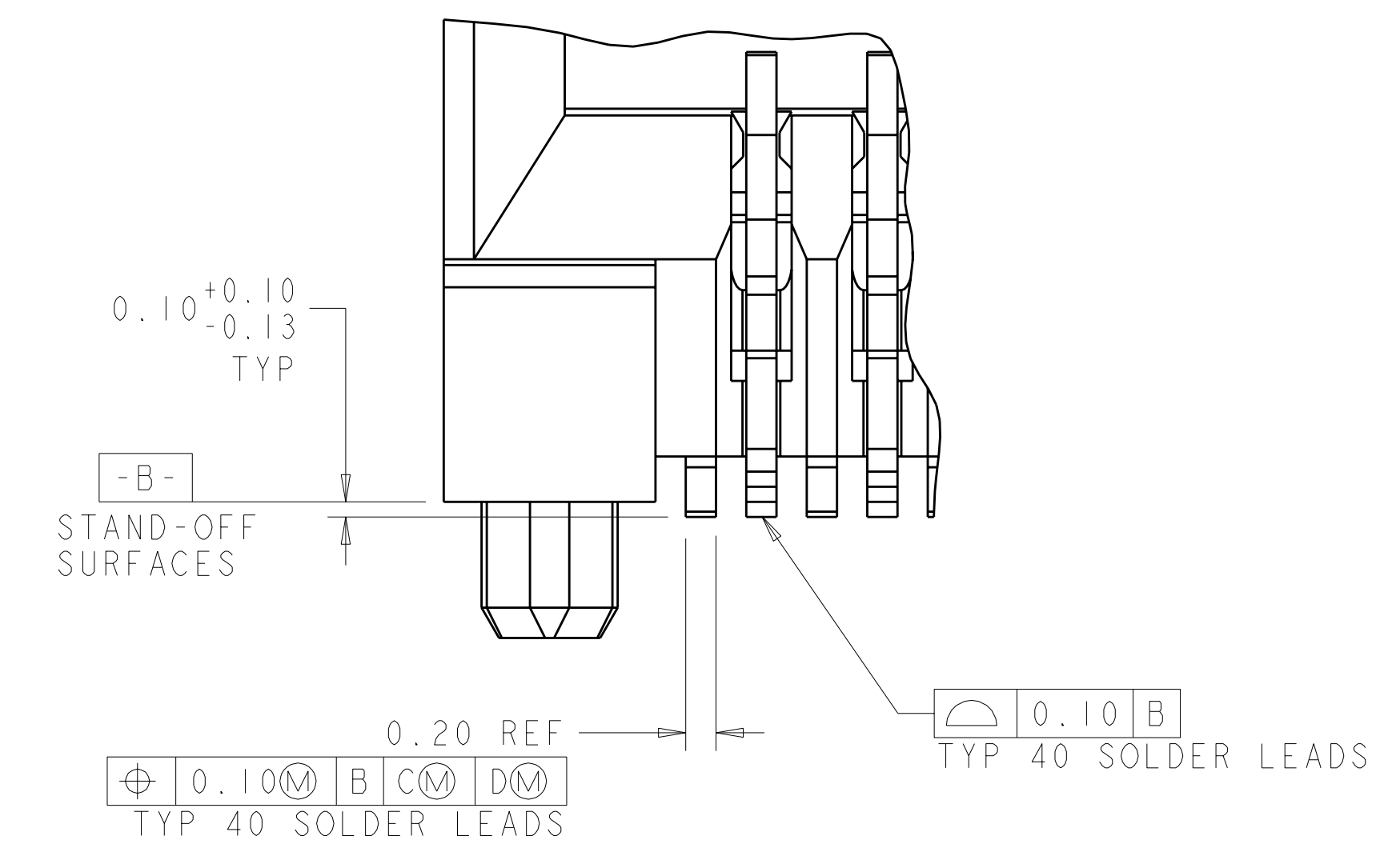
- △ HOUSING: HIGH TEMPERATURE LCP, UL 94V-0 RATED, BLACK.  
CONTACT: PHOSPHOR BRONZE.
- △ CONTACTS: 0.00038 MIN GOLD IN CONTACT AREA, 0.00013 MIN GOLD ON SOLDER AREA, OVER 0.0038 MIN NICKEL UNDERPLATE ON ENTIRE CONTACT.
- 3. PACKAGED PIECES PER REEL.
- △4 GROUND, POWER AND SIGNAL PAD ARRANGEMENT TO BE DETERMINED BY CUSTOMER.
- △5 DATUMS AND BASIC DIMENSIONS ESTABLISHED BY CUSTOMER.
- △6 CONTACTS: 0.00076 MIN GOLD IN CONTACT AREA, 0.00013 MIN GOLD ON SOLDER AREA, OVER 0.0038 MIN NICKEL UNDERPLATE ON ENTIRE CONTACT.



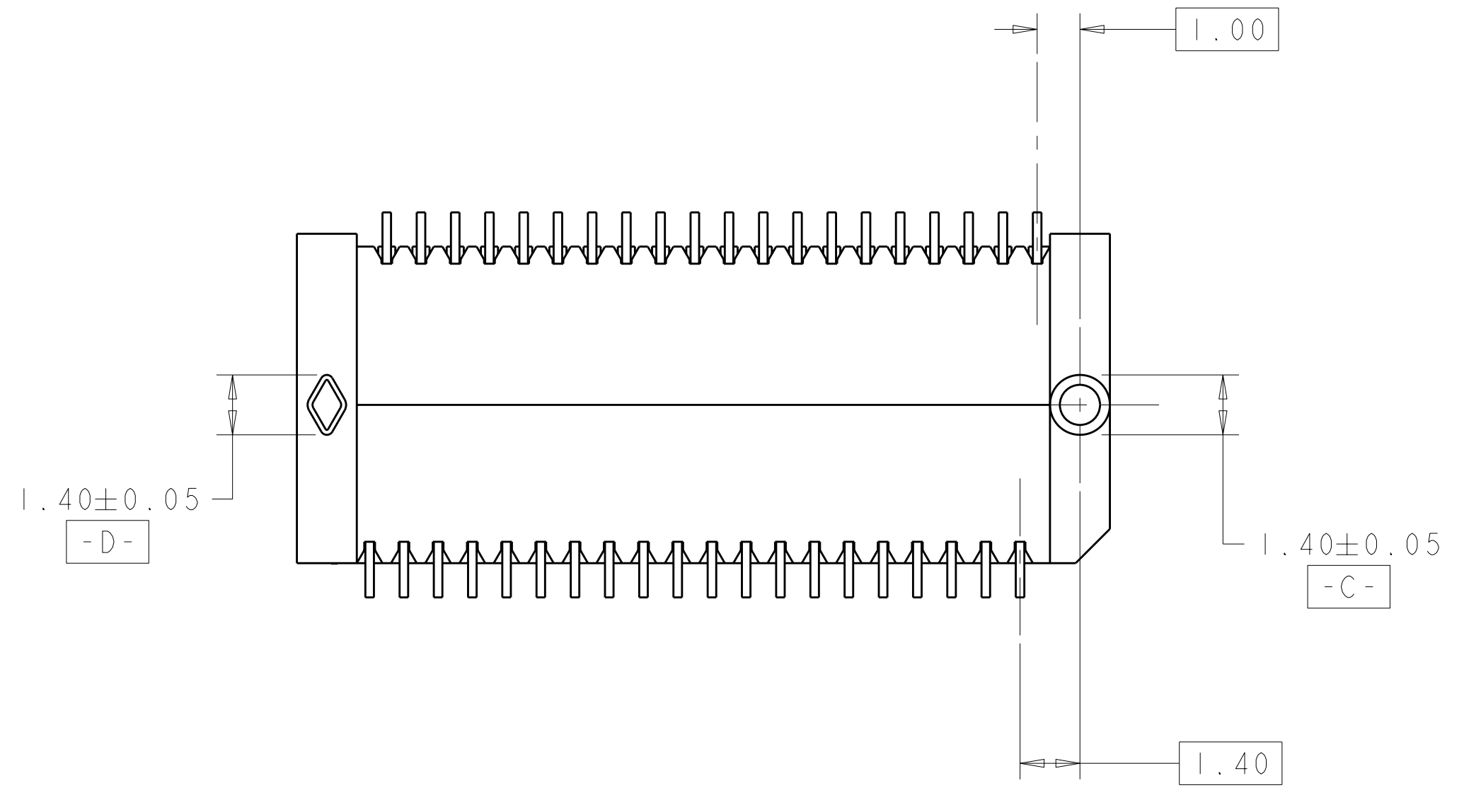
SCALE 5:1



SECTION Z-Z



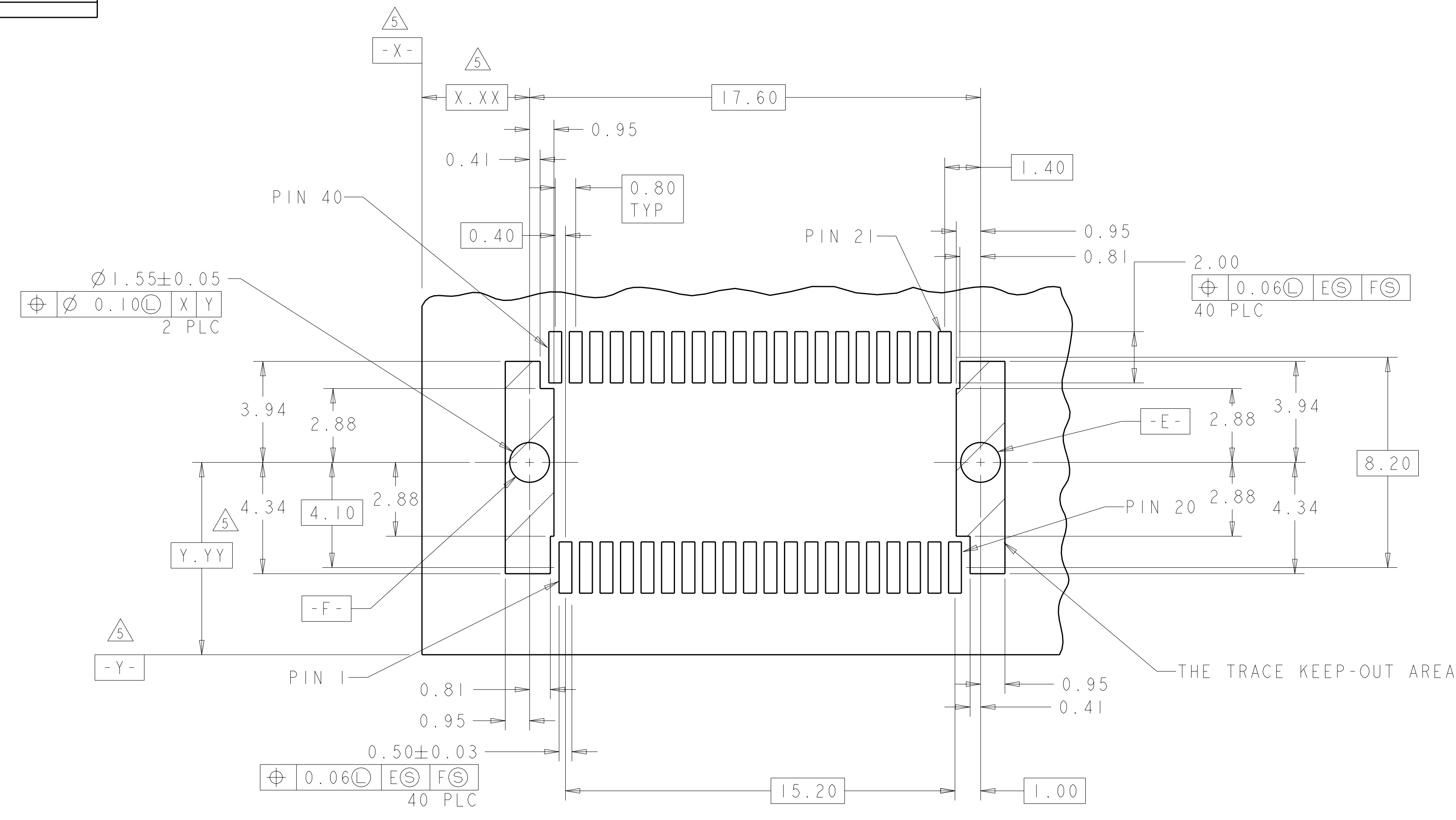
DETAIL J  
SCALE 25:1



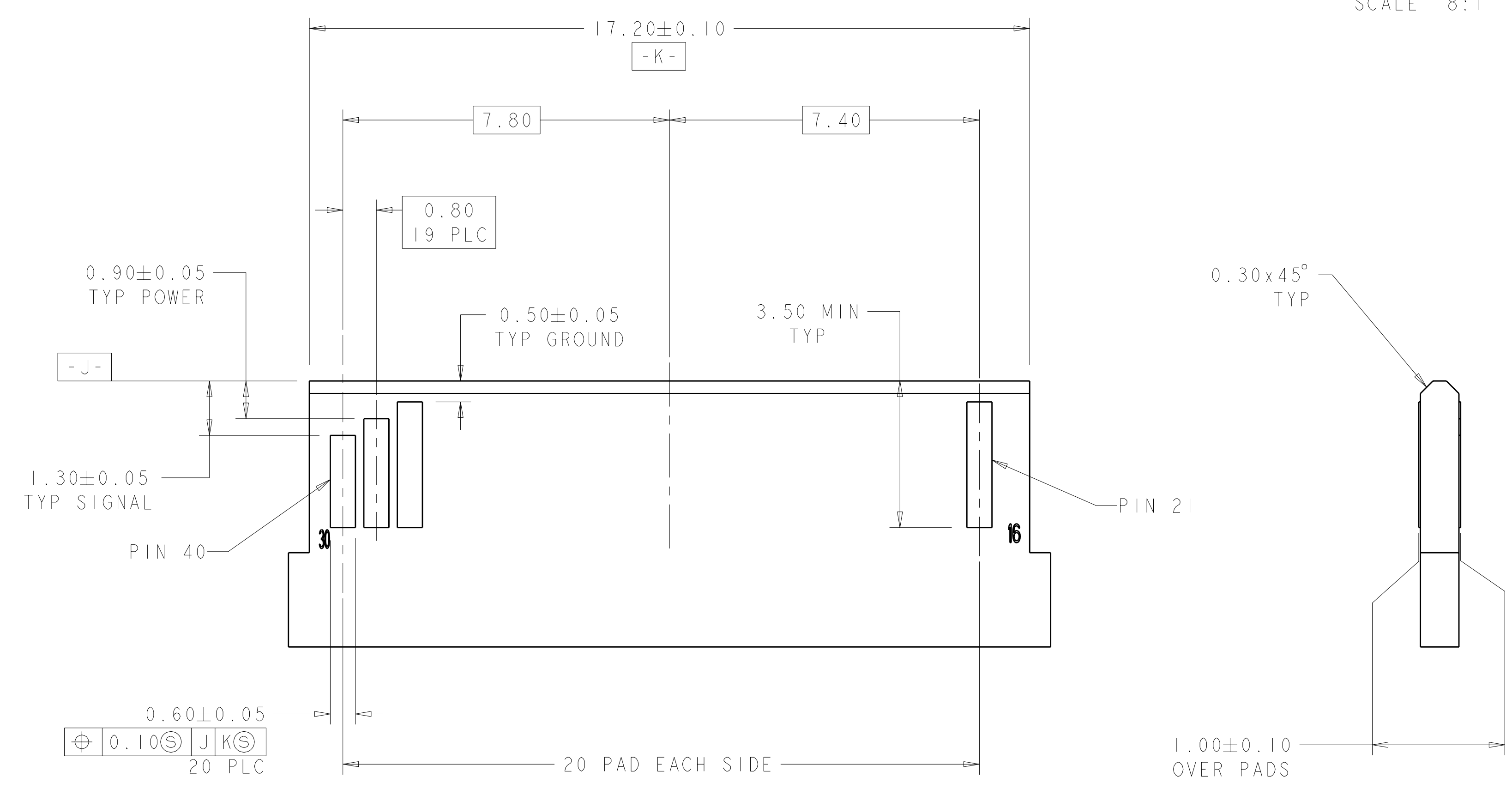
FINISH	PART NUMBER
△6	1367384-2
△2	1367384-1

DIMENSIONS:		TOLERANCES UNLESS OTHERWISE SPECIFIED:		MATERIAL:	
mm	9 PLC ±	PLC	±0.10	FINISH	SEE TABLE
	1 PLC ±	PLC	±0.10		
	2 PLC ±	PLC	±		
	3 PLC ±	PLC	±		
	4 PLC ±	PLC	±		
	5 PLC ±	PLC	±		
	6 PLC ±	PLC	±		
	7 PLC ±	PLC	±		
	8 PLC ±	PLC	±		
	9 PLC ±	PLC	±		
	10 PLC ±	PLC	±		
	11 PLC ±	PLC	±		
	12 PLC ±	PLC	±		
	13 PLC ±	PLC	±		
	14 PLC ±	PLC	±		
	15 PLC ±	PLC	±		
	16 PLC ±	PLC	±		
	17 PLC ±	PLC	±		
	18 PLC ±	PLC	±		
	19 PLC ±	PLC	±		
	20 PLC ±	PLC	±		
	21 PLC ±	PLC	±		
	22 PLC ±	PLC	±		
	23 PLC ±	PLC	±		
	24 PLC ±	PLC	±		
	25 PLC ±	PLC	±		
	26 PLC ±	PLC	±		
	27 PLC ±	PLC	±		
	28 PLC ±	PLC	±		
	29 PLC ±	PLC	±		
	30 PLC ±	PLC	±		
	31 PLC ±	PLC	±		
	32 PLC ±	PLC	±		
	33 PLC ±	PLC	±		
	34 PLC ±	PLC	±		
	35 PLC ±	PLC	±		
	36 PLC ±	PLC	±		
	37 PLC ±	PLC	±		
	38 PLC ±	PLC	±		
	39 PLC ±	PLC	±		
	40 PLC ±	PLC	±		
	41 PLC ±	PLC	±		
	42 PLC ±	PLC	±		
	43 PLC ±	PLC	±		
	44 PLC ±	PLC	±		
	45 PLC ±	PLC	±		
	46 PLC ±	PLC	±		
	47 PLC ±	PLC	±		
	48 PLC ±	PLC	±		
	49 PLC ±	PLC	±		
	50 PLC ±	PLC	±		
	51 PLC ±	PLC	±		
	52 PLC ±	PLC	±		
	53 PLC ±	PLC	±		
	54 PLC ±	PLC	±		
	55 PLC ±	PLC	±		
	56 PLC ±	PLC	±		
	57 PLC ±	PLC	±		
	58 PLC ±	PLC	±		
	59 PLC ±	PLC	±		
	60 PLC ±	PLC	±		
	61 PLC ±	PLC	±		
	62 PLC ±	PLC	±		
	63 PLC ±	PLC	±		
	64 PLC ±	PLC	±		
	65 PLC ±	PLC	±		
	66 PLC ±	PLC	±		
	67 PLC ±	PLC	±		
	68 PLC ±	PLC	±		
	69 PLC ±	PLC	±		
	70 PLC ±	PLC	±		
	71 PLC ±	PLC	±		
	72 PLC ±	PLC	±		
	73 PLC ±	PLC	±		
	74 PLC ±	PLC	±		
	75 PLC ±	PLC	±		
	76 PLC ±	PLC	±		
	77 PLC ±	PLC	±		
	78 PLC ±	PLC	±		
	79 PLC ±	PLC	±		
	80 PLC ±	PLC	±		
	81 PLC ±	PLC	±		
	82 PLC ±	PLC	±		
	83 PLC ±	PLC	±		
	84 PLC ±	PLC	±		
	85 PLC ±	PLC	±		
	86 PLC ±	PLC	±		
	87 PLC ±	PLC	±		
	88 PLC ±	PLC	±		
	89 PLC ±	PLC	±		
	90 PLC ±	PLC	±		
	91 PLC ±	PLC	±		
	92 PLC ±	PLC	±		
	93 PLC ±	PLC	±		
	94 PLC ±	PLC	±		
	95 PLC ±	PLC	±		
	96 PLC ±	PLC	±		
	97 PLC ±	PLC	±		
	98 PLC ±	PLC	±		
	99 PLC ±	PLC	±		
	100 PLC ±	PLC	±		

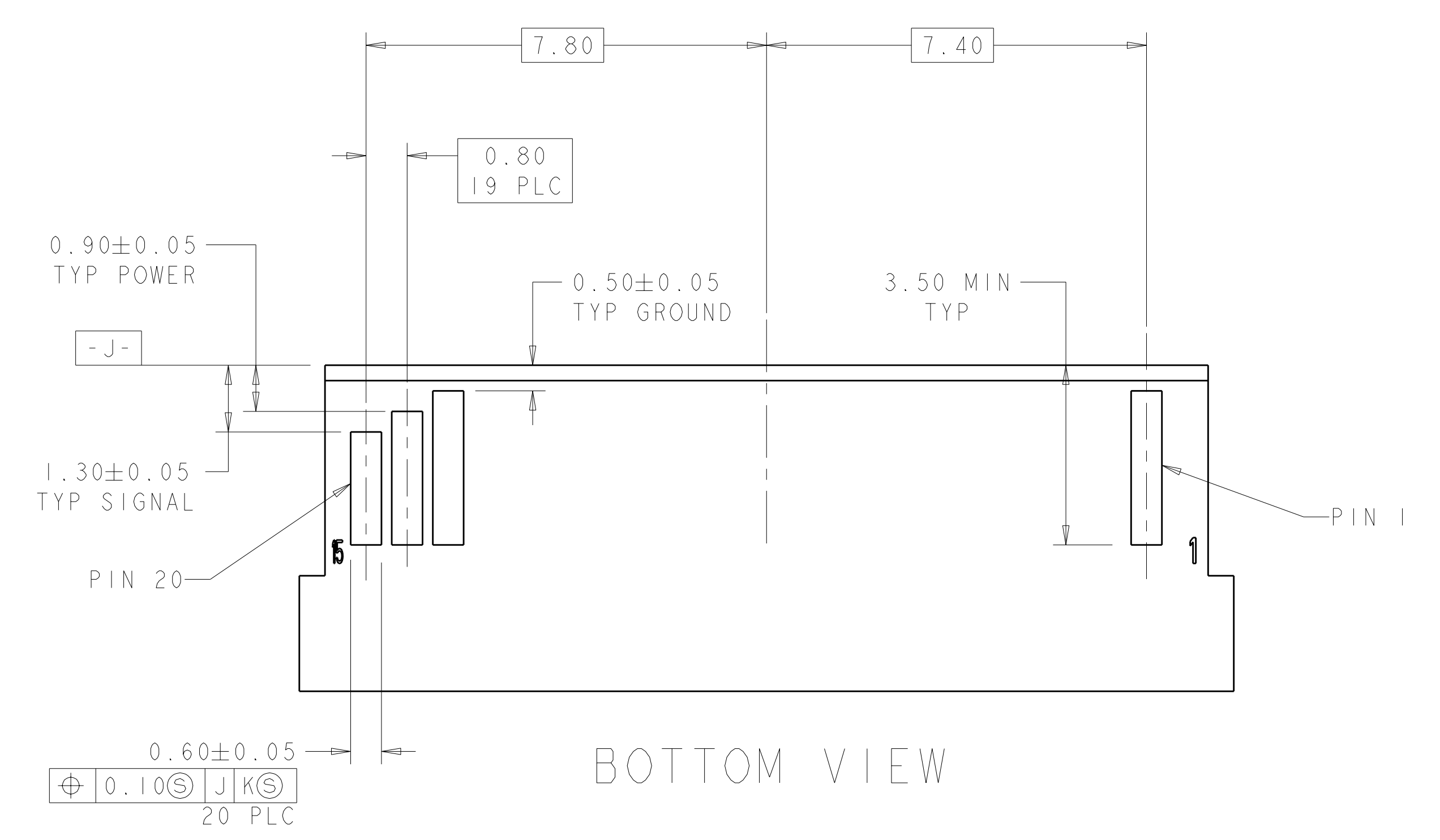
LOC	DIST	REVISIONS			
ES	00	REV	DATE	BY	APPD
		1			
		2			



RECOMMENDED PCB LAYOUT DETAIL  
 CONNECTOR MOUNTING SIDE  
 SCALE 8:1



TOP VIEW



BOTTOM VIEW

RECOMMENDED LAYOUT DETAIL  
 MATING PCB  
 SCALE 12:1

DIMENSIONS: mm 		TOLERANCES UNLESS OTHERWISE SPECIFIED: 0 PLC ± 1 PLC ±0.10 2 PLC ± 3 PLC ± 4 PLC ± ANGLES ±		DWN D. BROCKWAY I4MAR01 CHK J. KOPPENHEFFER I4MAR01 APVD J. KOPPENHEFFER I4MAR01 PRODUCT SPEC 108-1949 APPLICATION SPEC 114-13017 WEIGHT CUSTOMER DRAWING		Tyco Electronics Corporation Shanghai, P.R. China, 200233 NAME PT CONNECTOR ASSEMBLY, 40 POS, RIGHT ANGLE, 0.8mm PITCH SIZE CAGE CODE DRAWING NO. RESTRICTED TO A1100779C=1367384 SCALE 8:1 SHEET 2 OF 2 REV F	
-----------------------	--	---	--	---	--	---	--