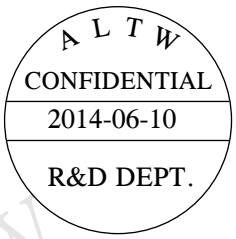
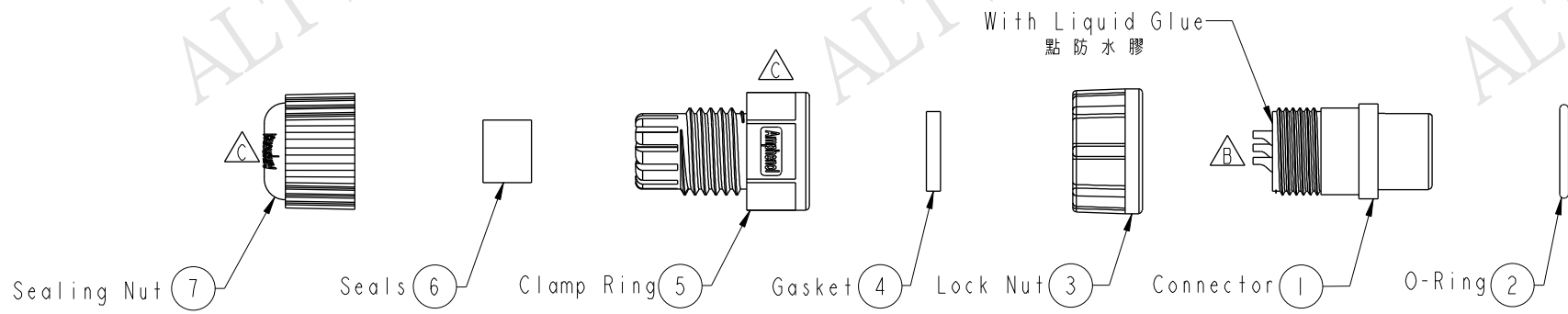
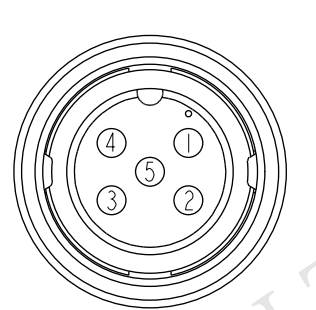
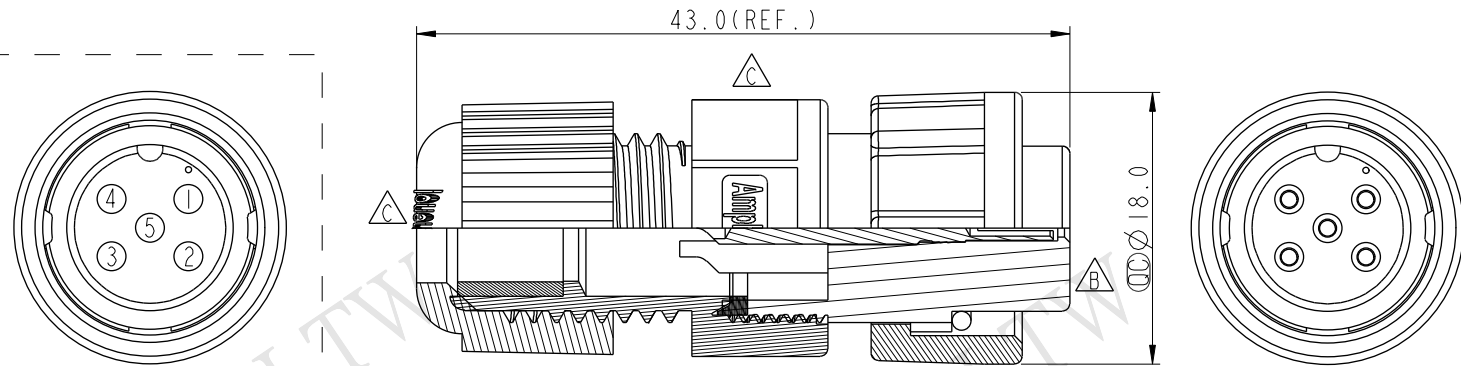


REV.	ECN NO.	DATE	SIGN	DESCRIPTION
B	LEN-0C0586	2010/11/29	Ivan	Change View
C	LEN1460030	2014-06-10	Jason Ou	Change LOGO



- Note:
- * \varnothing Important Dimension To Check.
 - * Waterproof Rate : IP67
 - * Housing: Nylon+GF, Black
 - * Female Pin: Copper Alloy, Gold Plated
 - * O-Ring: EPDM, Black
 - * Lock Nut: Nylon+GF, Black
 - * Gasket: EPDM, Black
 - * Seals: EPDM, Black
 - * Clamp Ring: Nylon, Black
 - * Sealing Nut: Nylon, Black
 - * Seals for Cable OD: $\varnothing 4.5\text{mm} \sim \varnothing 6.5\text{mm}$
(防水墊圈線徑: $\varnothing 4.5\text{mm} \sim \varnothing 6.5\text{mm}$)
 - * One Set Unassembled in One PE Bag
(每一組未組裝, 放置於一個PE袋, 並封口)



Pin Assignments
Front View

UNIT: mm		TITLE Standard 5Pin F Conn. For Assy			ITEM NO BD-05BFFA-LL7001		DRAWN BY Jason Ou		DATE 2014-06-10	
		SCALE 1:1 SIZE A4 SHEET 1 OF 1 REV. C WC-REV. A.2 \varnothing : Inspection item			Amphenol LTW 安費諾亮泰企業股份有限公司		DWG NO BD-05BFFA-LL7001		CHECKED BY Ivan	
TOLERANCE .X ±0.25 .XX ±0.1 .XXX ±0.05 ANGLES ±1°					CUSTOMER ALTW		APPROVED BY Kevin Hu		DATE 2014-06-10	

THIS DOCUMENT IS SUBJECT TO CHANGE WITHOUT NOTICE. IT IS CONFIDENTIAL AND A PROPERTY OF Amphenol LTW. DISCLOSURE TO THIRD PARTY HAS TO BE AUTHORIZED BY Amphenol LTW.