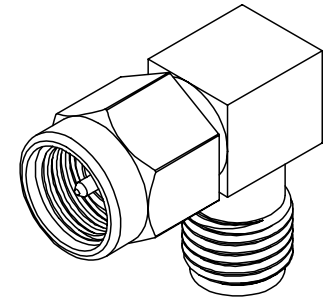
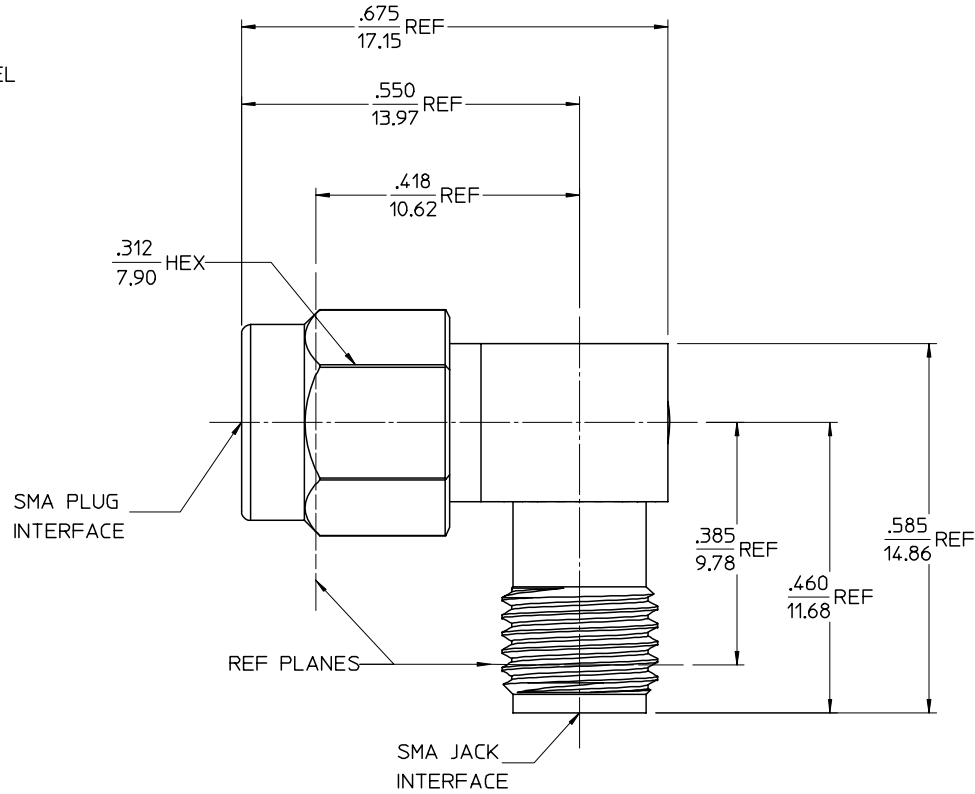
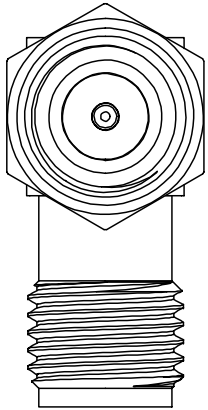


MATERIALS AND FINISHES:
 BODY & COUPLING NUT STAINLESS STEEL
 PASSIVATED
 CENTER CONTACT BERYLLIUM COPPER
 PLATED GOLD
 INSULATOR TEFLON



UNLESS OTHERWISE SPECIFIED DIMS ARE INCHES AND ANGLES ARE DEGREES.

- SURFACE FINISH OF 63 ALL OVER.
- NO CHATTER OR NON-UNIFORM
- SURFACE FINISH ALLOWED.
- PARTS TO BE FREE OF BURRS & SHARP EDGES .005 MAX BREAK.
- EXTERNAL THREADS TO BE ROLLED OR SINGLE POINT.
- DIAMETERS TO BE CONCENTRIC WITHIN .003 TIR.

PART # 73251-0303

PS-89675-2800	ELECTRO/MECH PERFORM.
MIL-STD-348A, FIG. 310.1	SMA PLUG INTERFACE
MIL-STD-348A, FIG. 310.2	SMA JACK INTERFACE
SPECIFICATION	DESCRIPTION

CHG: REMOVED ASTM CALLOUTS IN MATERIALS AND FINISHES REDREW TO ISO AND FRONT VIEWS DIM .585 REF WAS .583	EC NO. URF-1753 DRWN: TEF 05/21/03 CHG: SSS 05/21/03 APPR: GMH 05/21/03 98/01/06	EC NO. URF-0013 DRWN: EDC 01/06/98 CHG: DHG 01/09/98 APPR: GMH 01/09/98 98/01/06
--	---	---

QUALITY SYMBOLS	GENERAL TOLERANCES (UNLESS SPECIFIED)
▽ .0	4 PLACES ± --- ± ---
▽ .0	3 PLACES ± --- ± ---
	2 PLACES ± --- ± ---
	1 PLACE ± --- ± ---
	ANGULAR ±1/2°
	DRAFT WHERE APPLICABLE
	MUST REMAIN WITHIN DIMENSIONS

SCALE 7:1	DESIGN UNITS INCH
DIMENSION STYLE IN/MM	
DRAWN BY EDC	DATE
CHECKED BY DHG	DATE 1998/01/06
APPROVED BY GMH	DATE 1998/01/06

THIRD ANGLE PROJECTION	REVISE ON CAD ONLY
TITLE SMA PLUG/SMA JACK RA 50 OHM	
SMA-PJ/AD	
MOLEX INCORPORATED	
MATERIAL NO.	DOCUMENT NO. SD-73251-030
SHEET NO. 1 OF 1	