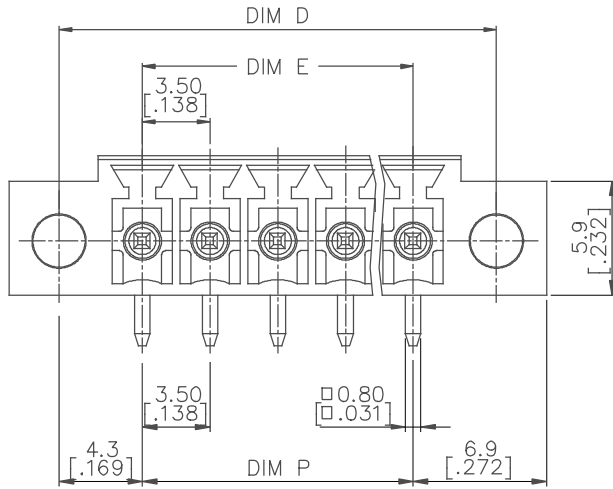


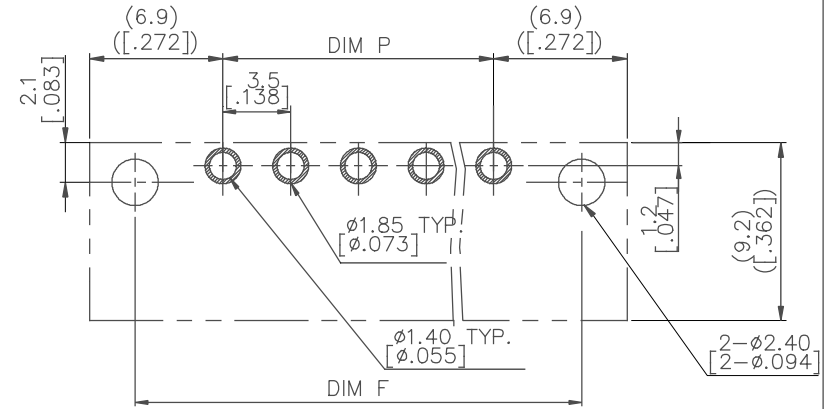
PRODUCT NUMBER	SERIES NAME	PITCH
20020204-CXXXXXL	06-350	3.50 mm



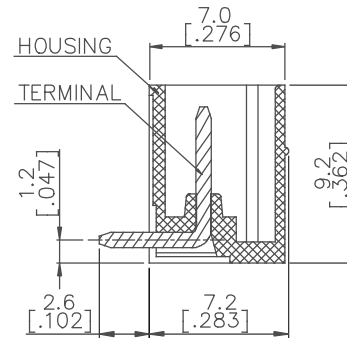
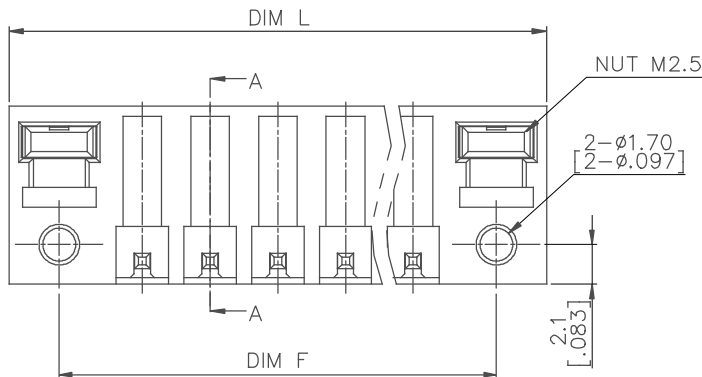
N= Number of poles

DIM L	$(N-1)*3.5[.138]+13.8[.543]$
DIM P	$(N-1)*3.5[.138]$
DIM D	$(N-1)*3.5[.138]+8.6[.339]$
DIM E	$(N-1)*3.5[.138]$
DIM F	$(N-1)*3.5[.138]+8.6[.339]$

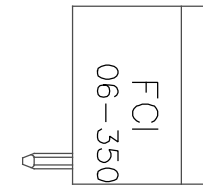
POLES	TOLERANCE
2p-6p	$\pm 0.15[.006]$
7p-12p	$\pm 0.20[.008]$
13p-16p	$\pm 0.30[.012]$



RECOMMENDED PCB LAYOUT

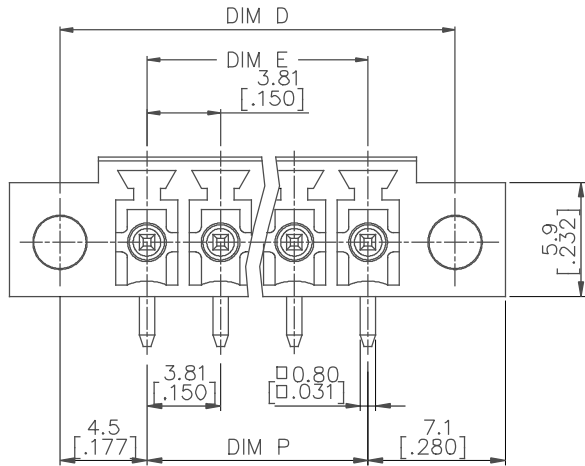


SECTION A-A



mat'l. code	surface ASME Y14.5	tolerance ASME Y14.5	projection MM INCH	product family TERMINAL BLOCK		
ltr	ecn	no	dr	date	tolerances unless otherwise specified	title TERMINAL BLOCK PLUGGABLE, SOCKET, SIGNAL, R/A W/FLANGE(PIP)
A					angles linear X.±0.5 X.X±0.3 X'±1' X.XX±0.1	scale
	dr	LEIF SHEN	041911			dwg no sheet 2 of 5 size
	enr	LEIF SHEN	041911			20020204 A4
	chr	LEIF SHEN	041911			type CUSTOMER Drawing
	appd	JOSEPH HSIA	041911			
sheet index	revision sheet					

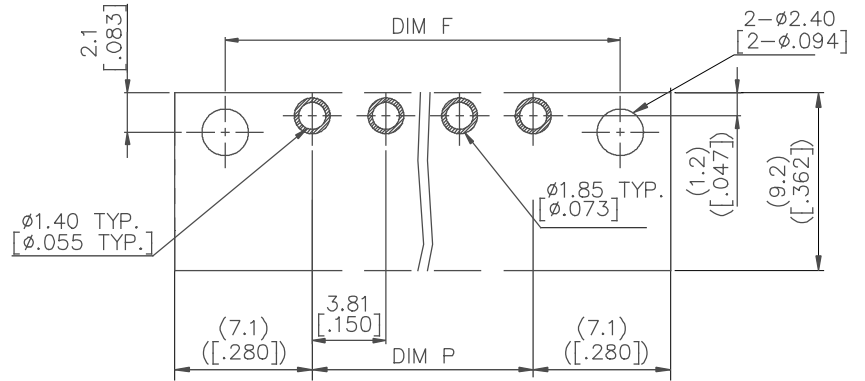
PRODUCT NUMBER	SERIES NAME	PITCH
20020204-DXXXXXLF	06-381	3.81 mm



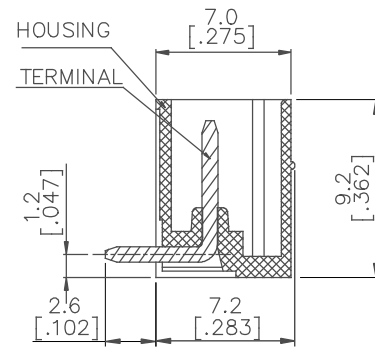
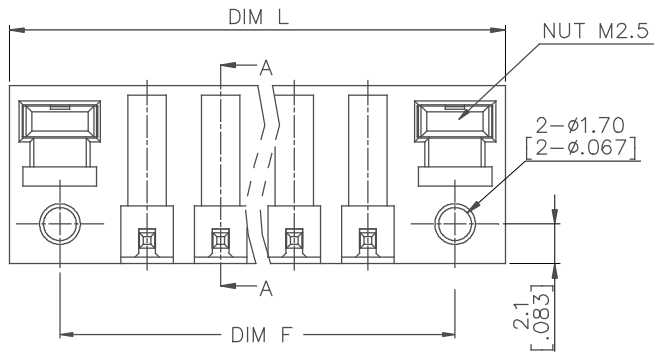
N= Number of poles

DIM L	$(N-1)*3.81[.150]+14.2[.559]$
DIM P	$(N-1)*3.81[.150]$
DIM D	$(N-1)*3.81[.150]+9.0[.354]$
DIM E	$(N-1)*3.81[.150]$
DIM F	$(N-1)*3.81[.150]+9.0[.354]$

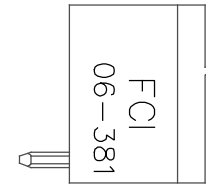
POLES	TOLERANCE
2p-6p	$\pm 0.15[.006]$
7p-12p	$\pm 0.20[.008]$
13p-16p	$\pm 0.30[.012]$



RECOMMENDED PCB LAYOUT

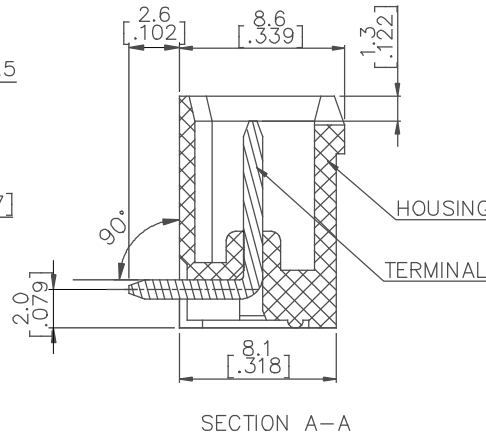
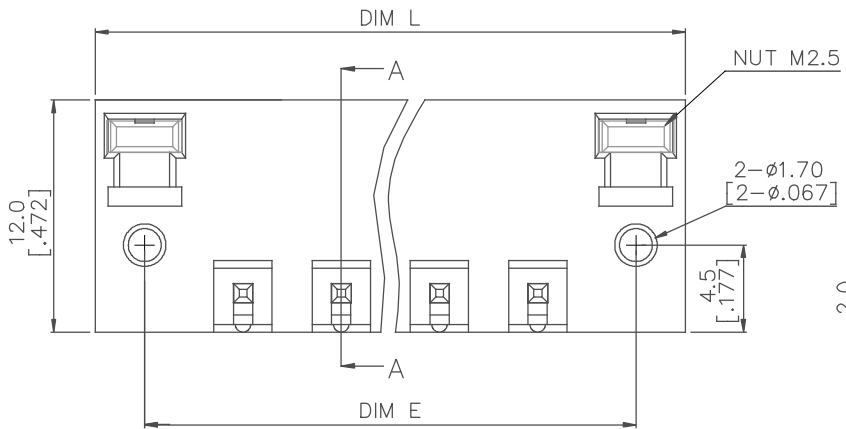
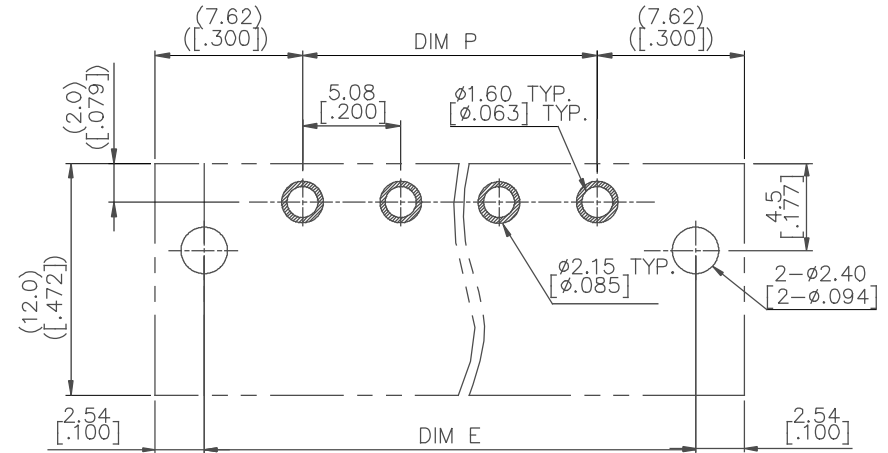
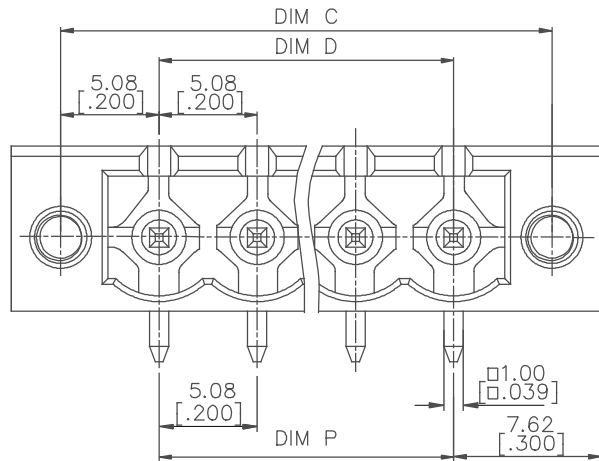


SECTION A-A

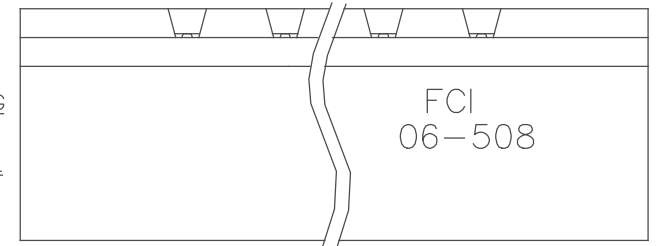


mat'l. code	surface ASME Y14.5	tolerance ASME Y14.5	projection MM INCH	product family TERMINAL BLOCK			
ltr	ecn	no	dr	date	tolerances unless otherwise specified	title TERMINAL BLOCK PLUGGABLE, SOCKET, SIGNAL, R/A W/FLANGE(PIP)	
A					angles X \pm 0.5 linear X.XX \pm 0.1	scale	
			dr	LEIF SHEN	041911		
			enr	LEIF SHEN	041911		
			chr	LEIF SHEN	041911		
			appd	JOSEPH HSIA	041911		
sheet index	revision sheet					dwg no 20020204	sheet 3 of 5 size A4
						type CUSTOMER Drawing	

PRODUCT NUMBER	SERIES NAME	PITCH
20020204-HXXXXXXLF	06-508	5.08 mm



RECOMMENDED PCB LAYOUT



mat'l. code	surface ASME Y14.5	tolerance ASME Y14.5	projection	product family
ltr	ecn no	dr	date	title
A				TERMINAL BLOCK
				TERMINAL BLOCK
				PLUGGABLE, SOCKET, SIGNAL, R/A
				W/FLANGE(PIP)
				sheet 5 of 5
				size A4
				20020204
				type CUSTOMER Drawing
sheet index	revision sheet			