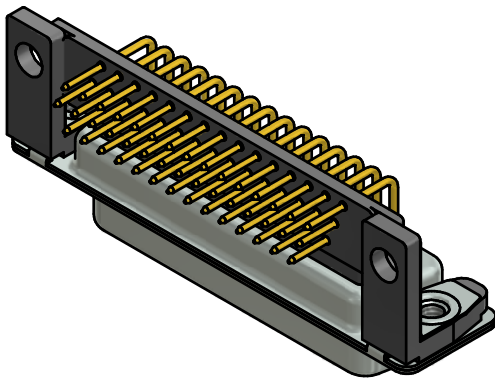
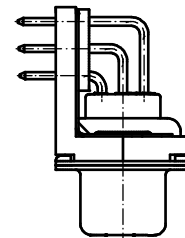
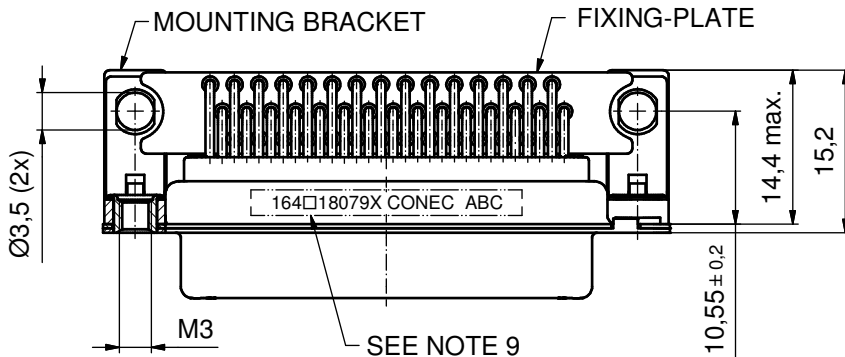
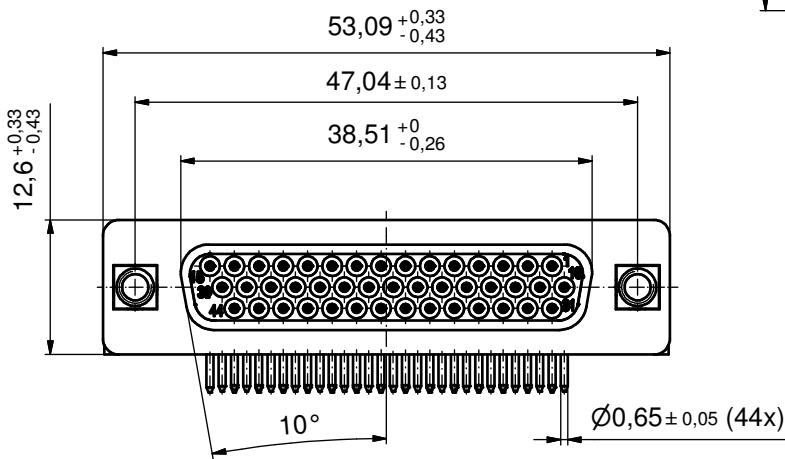
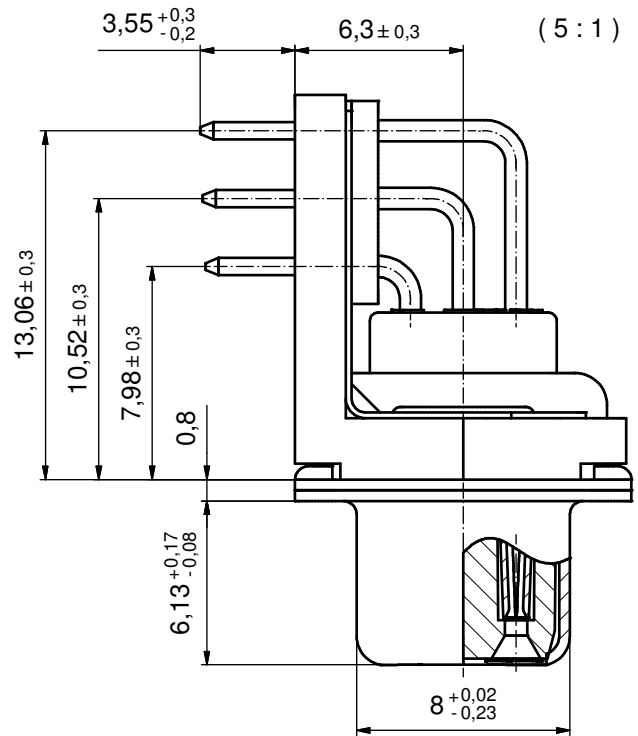


P.C.B. HOLE DRILLINGS
(P.C.B. TOP SIDE)



NOTES:

- METALSHELLS: STEEL; min. 315µin TIN over 40-80µin NICKEL
- INSULATORS: PBT GF UL 94 V-0; BLACK
- CONTACTS: COPPER ALLOY; PLATING (SEE PART-NO.):
 PLEASE ADD A for GOLD FLASH over NICKEL (PREFERRED TYPE)
 PLEASE ADD B for 20µin HARD GOLD over min. 50µin NICKEL
 PLEASE ADD C for 30µin HARD GOLD over min. 50µin NICKEL
- MOUNTING BRACKETS: PBT GF UL 94 V-0; BLACK
- THREADED INSERTS: COPPER ALLOY; min. 200µin TIN over 80µin NICKEL
- GROUNDING BRACKETS: COPPER ALLOY
- FIXING PLATE: PBT GF UL 94 V-0; BLACK
- MAXIMUM TORQUE VALUE FOR THREAD: 6 in.LB
- CONNECTOR IS PART MARKED: **164□18079X CONEC ABC** (see note 3)

Directive 2002/95/EC RoHS compliant

THIS DRAWING MAY NOT BE COPIED OR REPRODUCED IN ANY WAY, AND MAY NOT BE PASSED ON TO A THIRD PARTY WITHOUT WRITTEN PERMISSION. OWNERSHIP AND COPYRIGHT OF CONEC GmbH DO NOT ALTER CAD DRAWING BY HAND	tolerance		dim. in mm	scale: 2:1 (5:1)		
				material: SEE NOTES		
	drawn	29.09.14	Henneboel	title: D-SUB HD FEMALE 90° 44pos. SOLDER PIN ANGLED 0.350inch threaded insert, mounting bracket, fixing-plate, grounding bracket		
	appd.	29.09.14	Lehmenkühler			
	norm					
rev.	a	Original			dwg no: 16K1A3545 DIN-A3 sh: 1	
description	date	name	part no: 164□18079X (see note 3)			