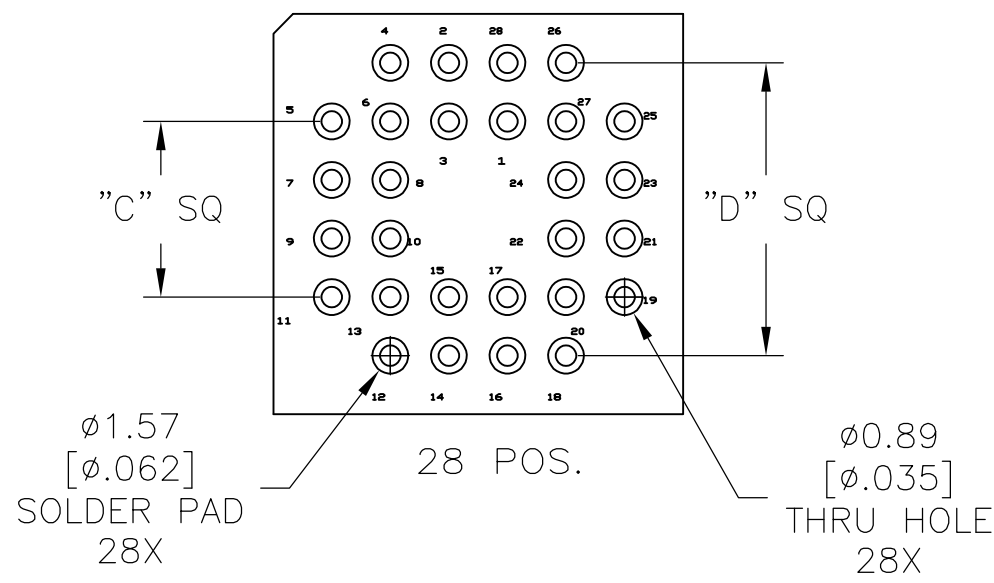
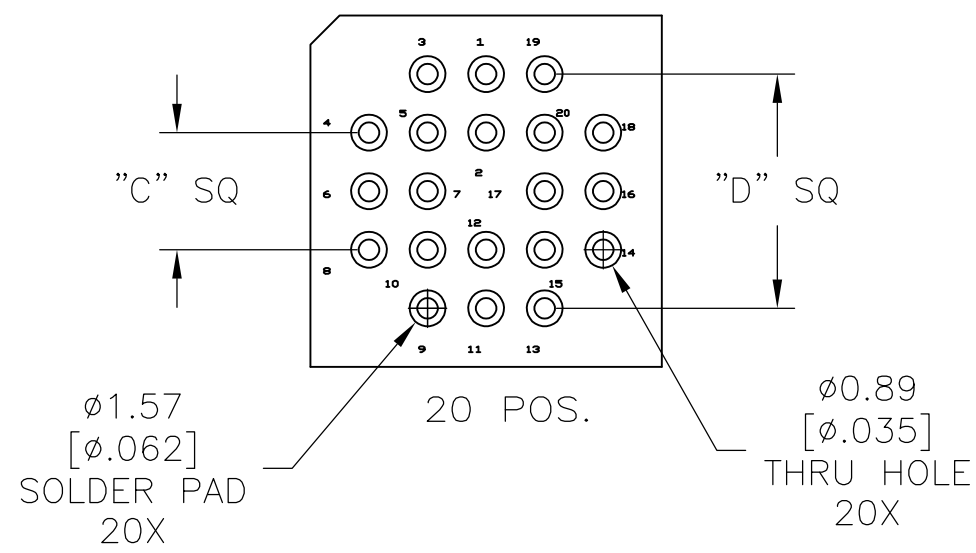


THIS DRAWING IS UNPUBLISHED. RELEASED FOR PUBLICATION  
 © COPYRIGHT BY TYCO ELECTRONICS CORPORATION. ALL INTERNATIONAL RIGHTS RESERVED.

LOC	DIST	REVISIONS			
P	LTR	DESCRIPTION	DATE	DWN	APVD
AD	00				
C		REVISED PER ECO-08-027222	05NOV08	HMR	FD

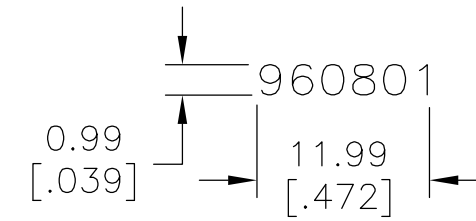


RECOMMENDED HOLE LAYOUT  
 TOLERANCE: ±0.05 [.002]  
 UNLESS OTHERWISE NOTED

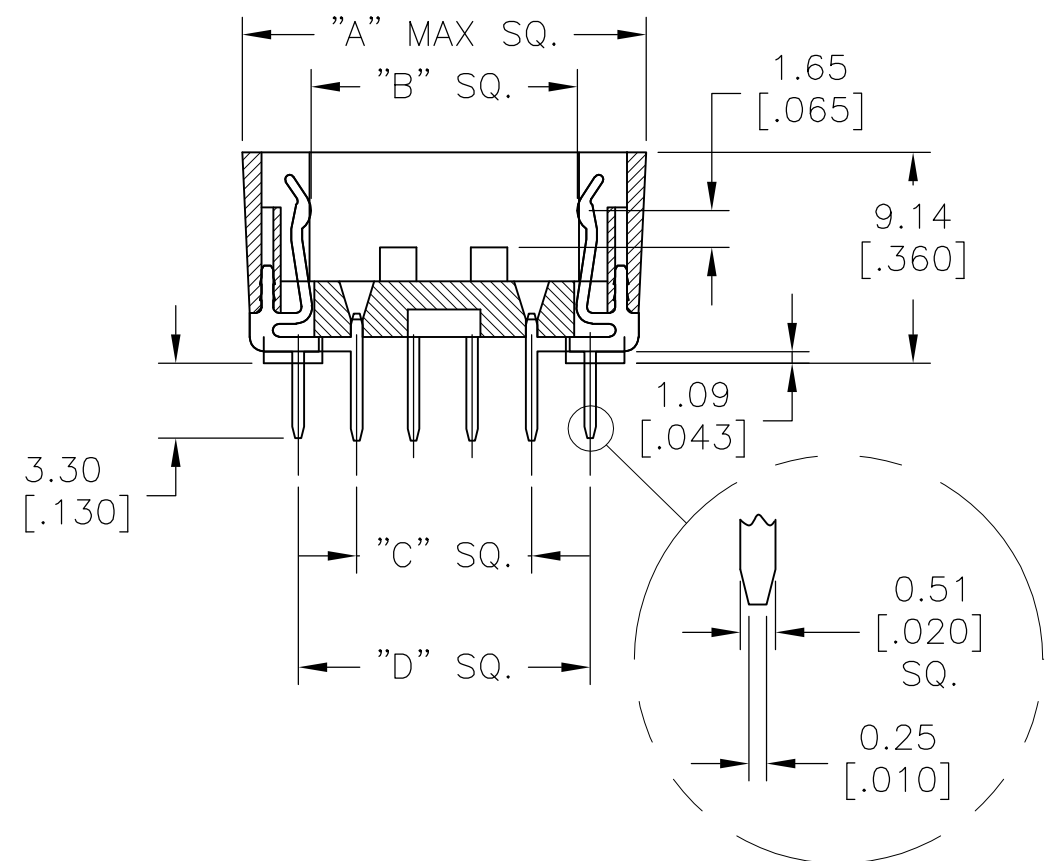
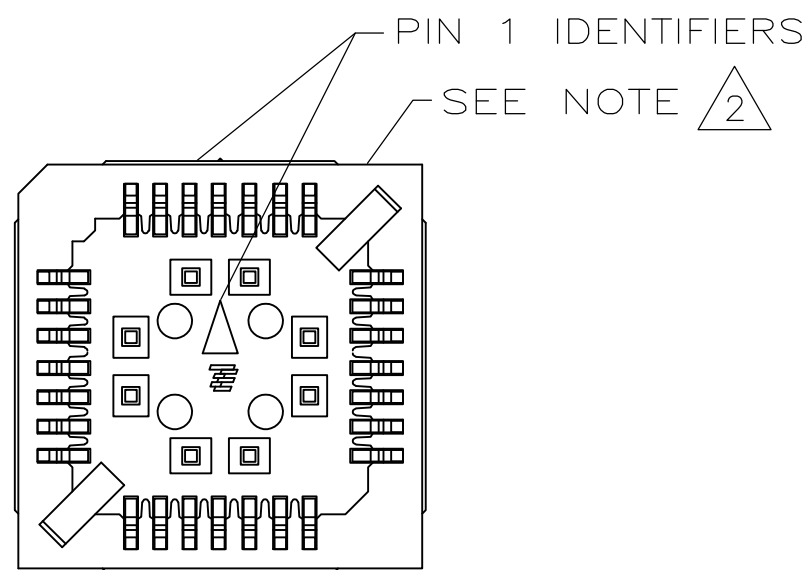
NOTES:

- 1 MATERIALS:  
 CONTACT: COPPER ALLOY, 0.004572 [.000180] MIN TIN PLATE  
 OVER 0.00127 [.000050] MIN NICKEL.  
 INSULATOR: PPS, 40% GLASS FILLED, UL 94V-0

- 2 DATE CODE (PER BELOW) TO BE LASER CODED  
 AND CENTERED ON THIS SURFACE.



- 3. UL RECOGNITION E320916.



PART NO.	POS.	DIM "A"	DIM "B"	DIM "C"	DIM "D"	DIM "E"	DIM "F"
1571539-1	20	14.99 [.590]	9.14 [.360]	5.08 [.200]	10.16 [.400]	9.91 [.390]	2.67 [.105]
1571539-2	28	17.53 [.690]	11.68 [.460]	7.62 [.300]	12.70 [.500]	12.45 [.490]	2.67 [.105]

THIS DRAWING IS A CONTROLLED DOCUMENT.		DWN D. MURREN 25AUG03	Tyco Electronics Corporation Harrisburg, PA 17105-3608	
DIMENSIONS: mm [INCHES]		CHK K. WRIGHT 24APR03	NAME OUTLINE DRAWING PLCC SOCKET	
TOLERANCES UNLESS OTHERWISE SPECIFIED:		APVD K. WRIGHT 24APR03	PRODUCT SPEC 108-38000	
0 PLC ± - 1 PLC ± - 2 PLC ± 0.25 [.010] 3 PLC ± - 4 PLC ± - ANGLES ± 1°		APPLICATION SPEC	SIZE A2	CAGE CODE 00779
MATERIAL 1	FINISH 1	WEIGHT	DRAWING NO C=1571539	RESTRICTED TO -
CUSTOMER DRAWING			SCALE 3:1	SHEET 1 OF 1
			REV C	