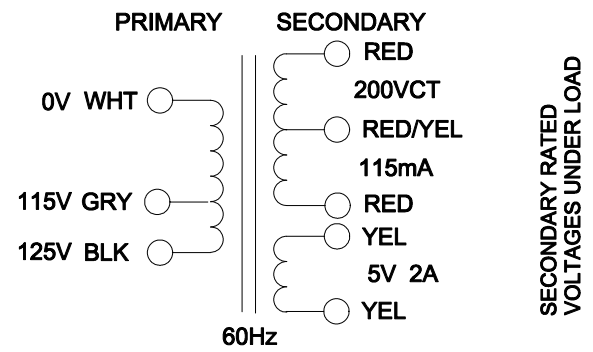
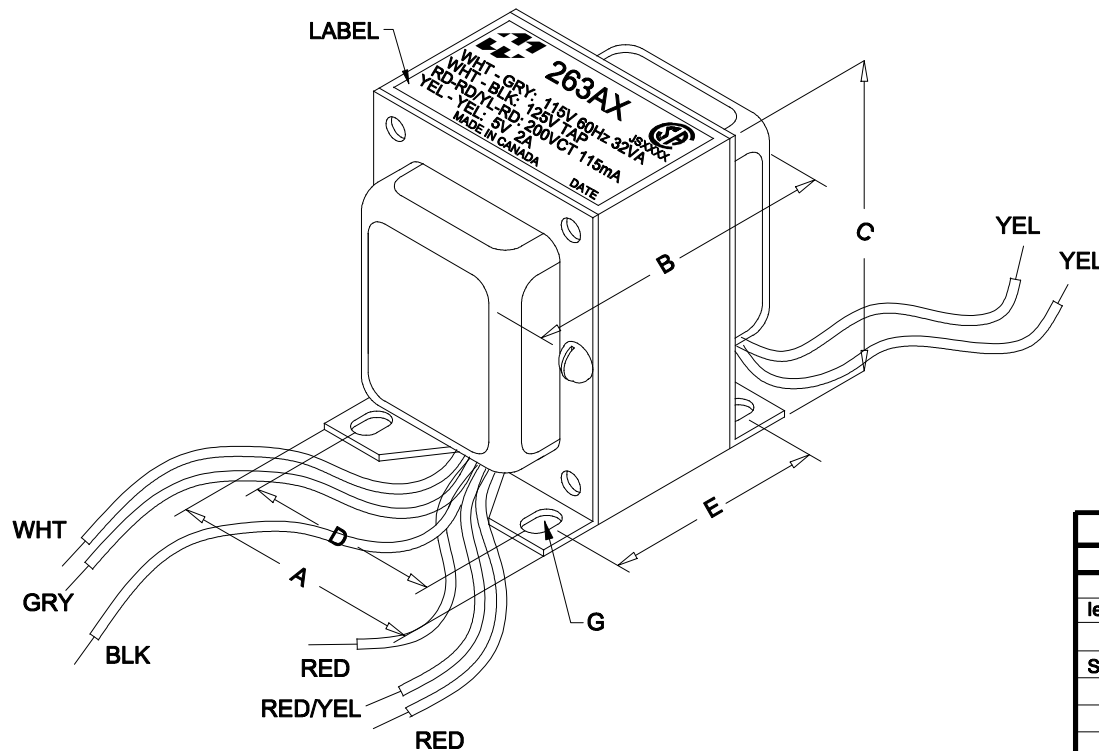


DIMENSIONS:	
A	1.843" ±0.063
B	2.500" ±0.125
C	2.500" ±0.063
D	1.500" ±0.063
E	1.562" ±0.063
G	0.188" x 0.313" ±0.015



NOTE: ALL LEADS 6" OUT MIN. STRIPPED 0.5"

ELECTRICAL DATA:		
TESTS	CONDITIONS	ACCEPTANCE CRITERIA
I _{ex}	@ 125V, 60Hz, WHT - BLK	125mA Max.
Sec. N.L.V	@ 125V, 60Hz, WHT - BLK	
	RED - RED =	222.9V ±2%
	RED - RED/YEL = RED/YEL - RED =	111.4V ±2%
	YEL - YEL =	5.706V ±2%
DCR	@ 20°C, WHT - BLK =	18.01 Ω ±20%
	@ 20°C, RED - RED =	94.98 Ω ±20%
	@ 20°C, YEL - YEL =	0.143 Ω ±20%
HIPOT	PRIMARY - SECONDARY	2000V, 60Hz, 1 SEC

REV.#	REVISION	DATE	HAMMOND MANUFACTURING™		ELECTRONIC DIVISION	
0	RELEASED.	C.I. 09/26/12	52 RANKIN PLACE, WATERLOO, ONTARIO, N2J 3Z5		PH # (519) 886-6181 FAX # (519) 886-9540	
			DWG. BY: C. ILIE	CHK'D BY:	TITLE: POWER TRANSFORMER	DWG. NO. 263AX
			DATE: 09/26/12	APP'D. BY:		
				DIMENSIONS: IN(X) MM()		