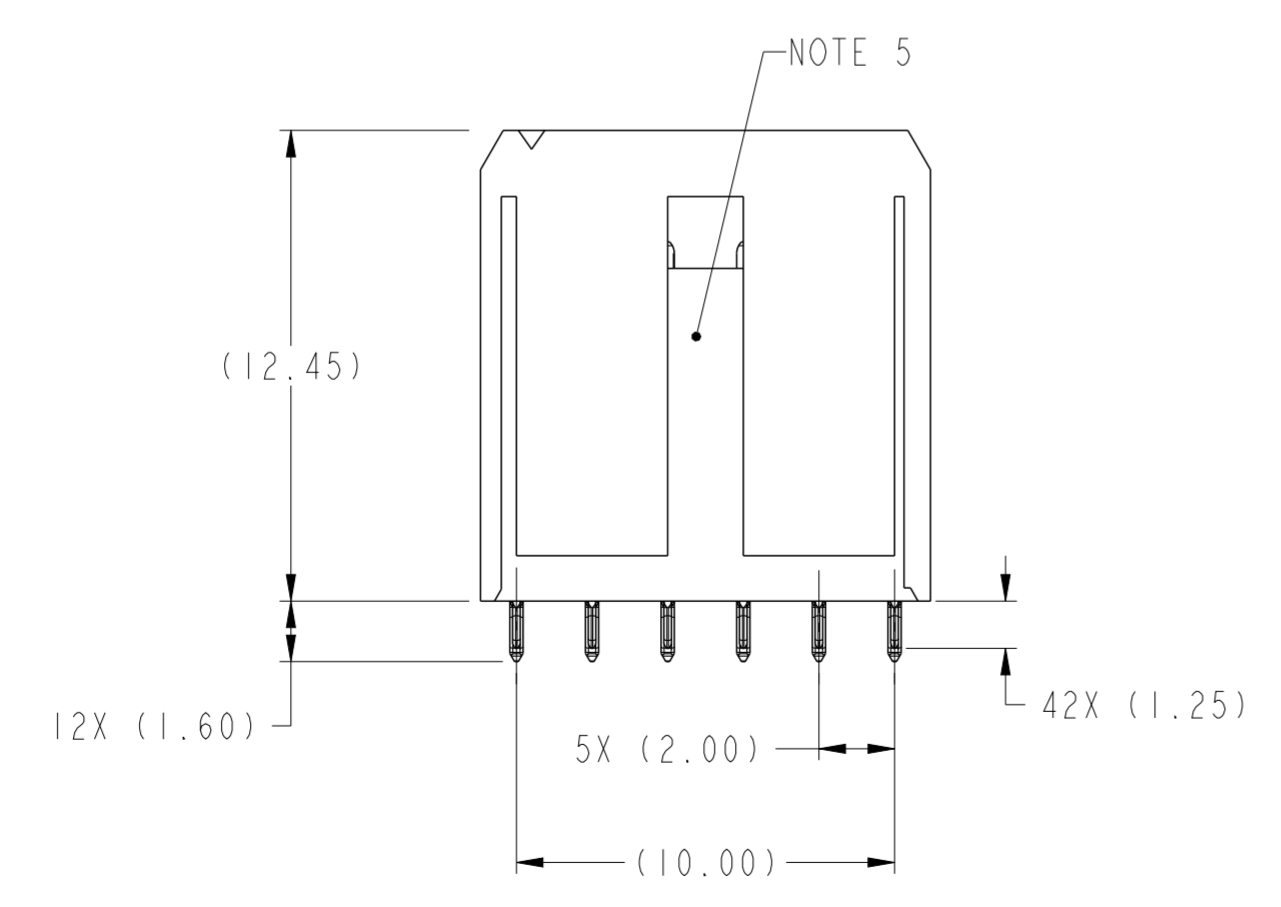
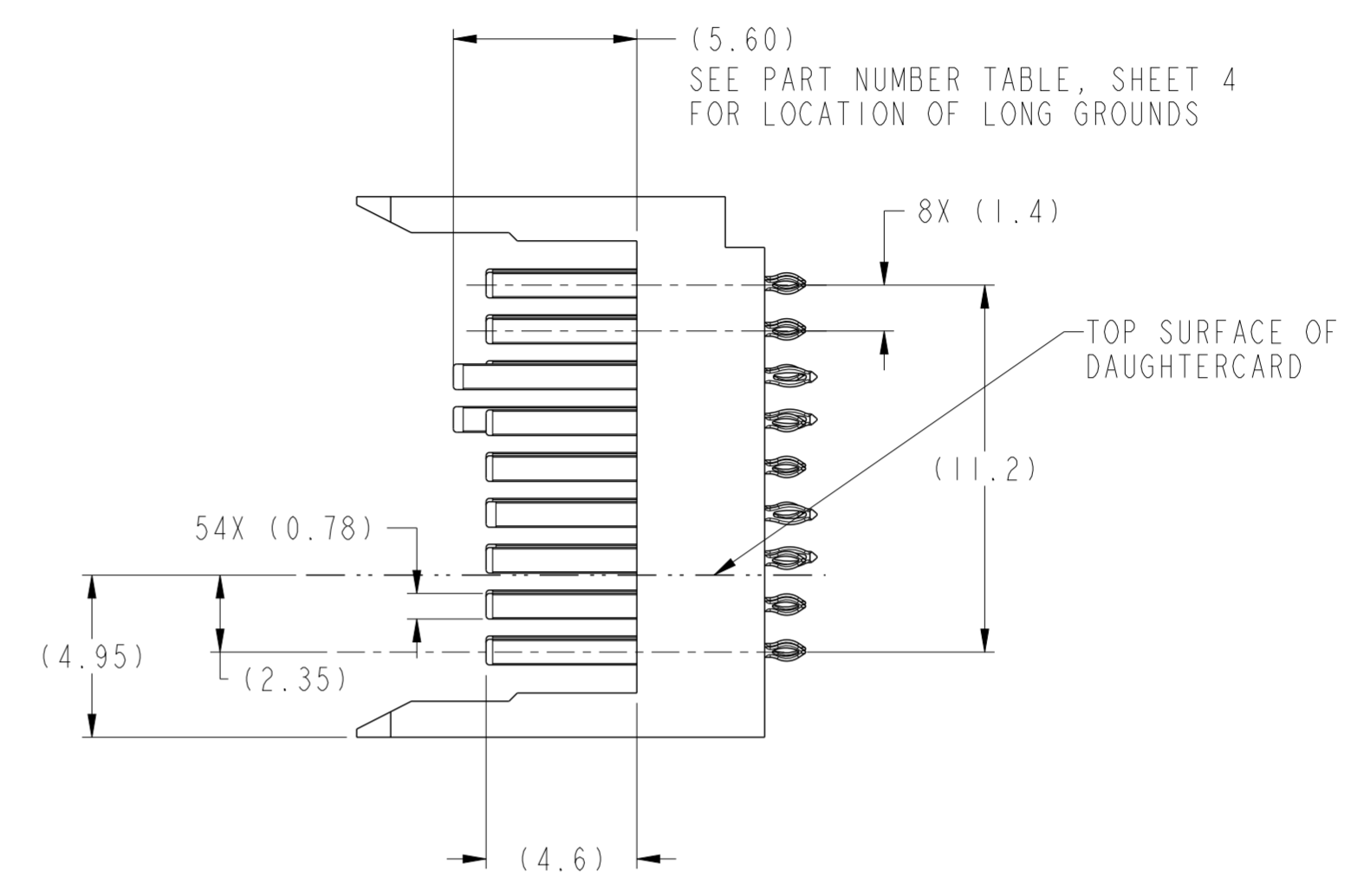
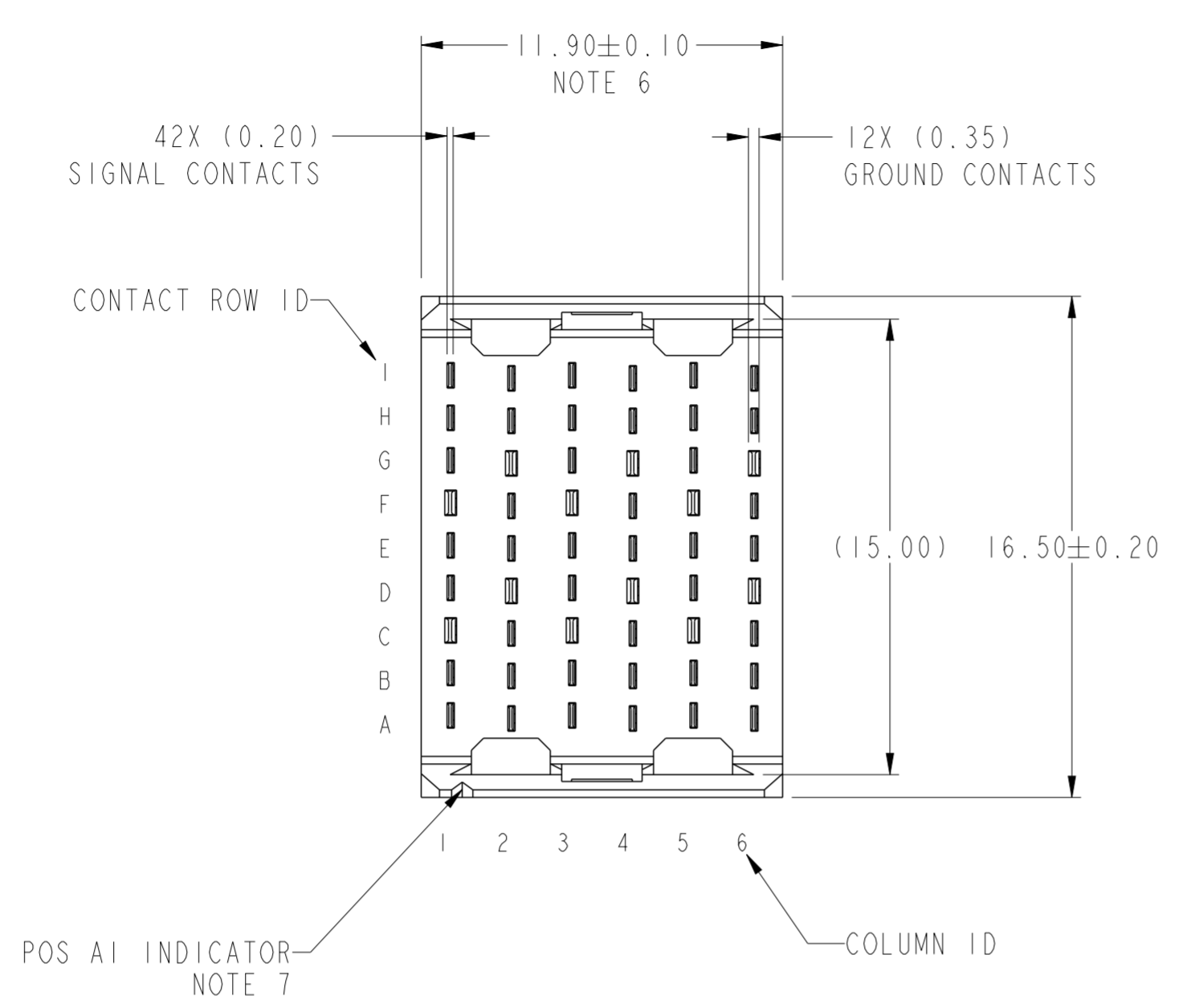
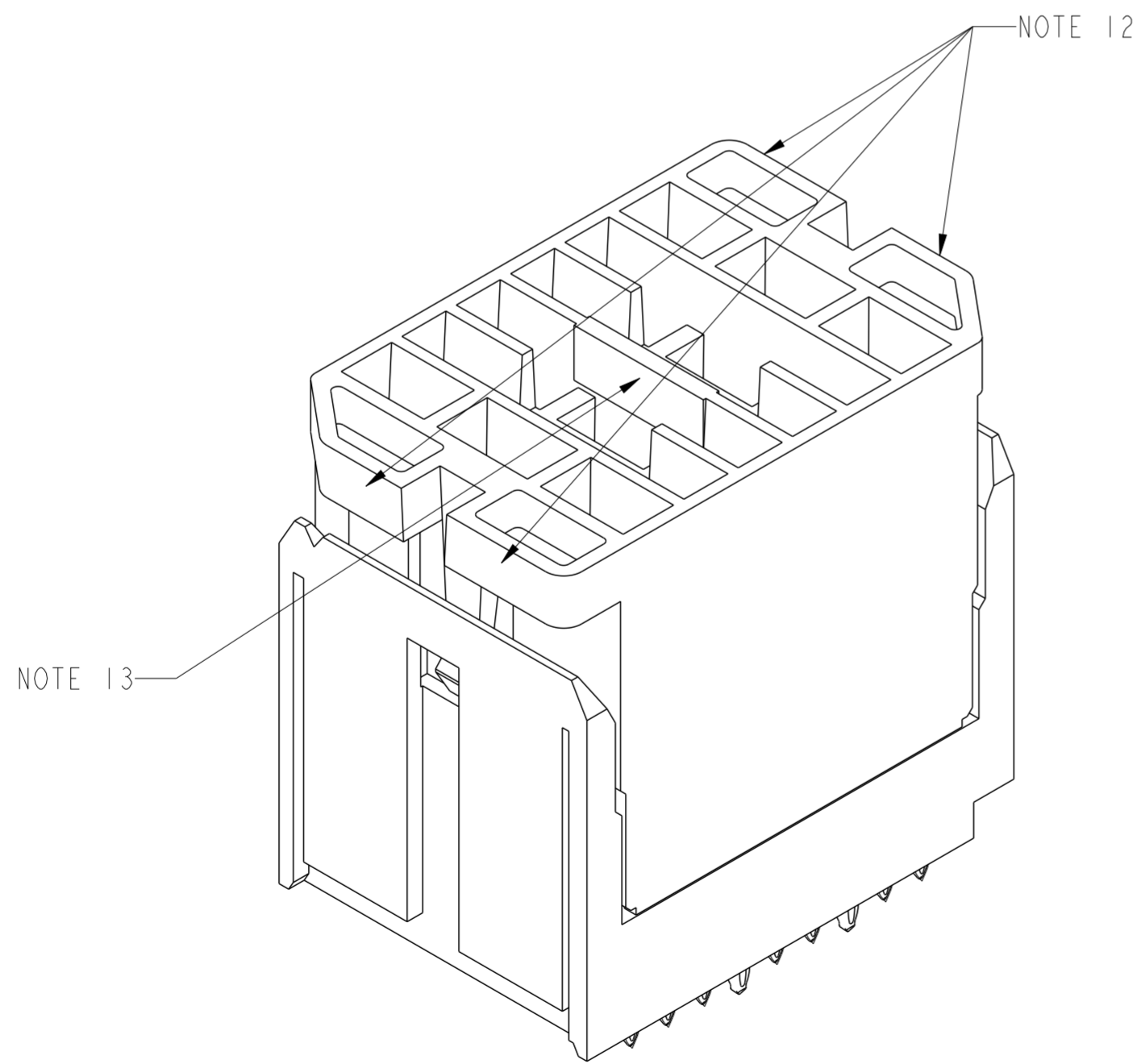
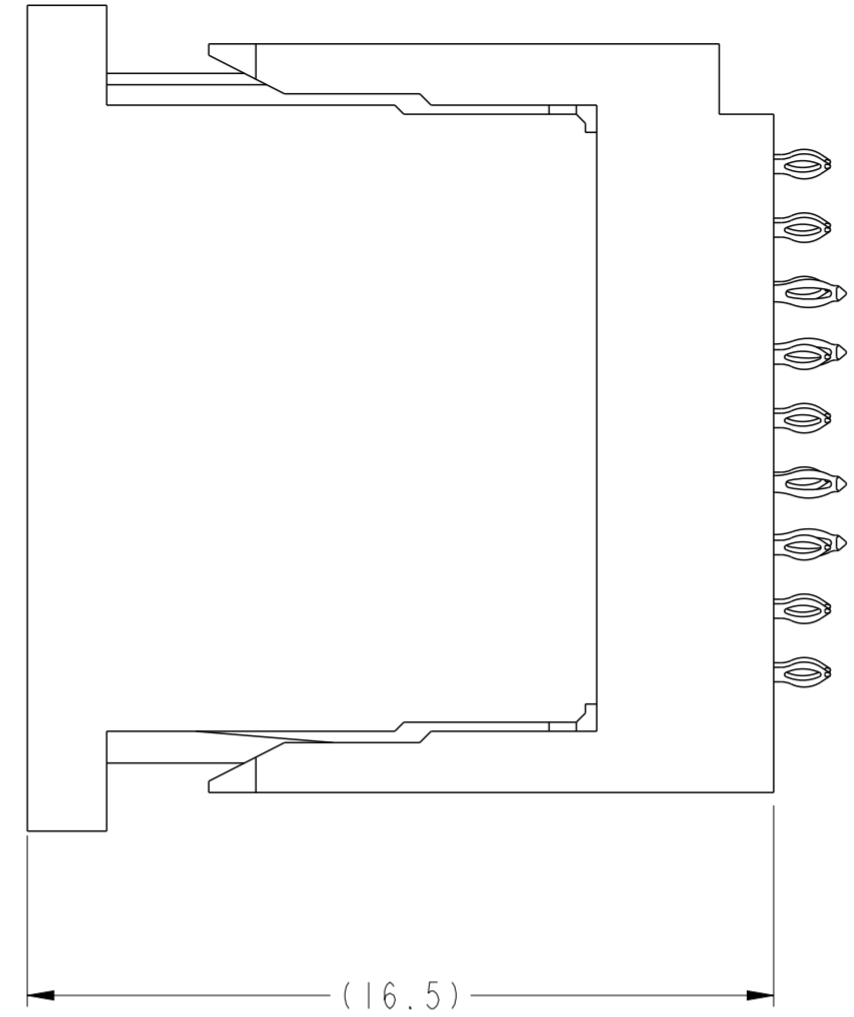
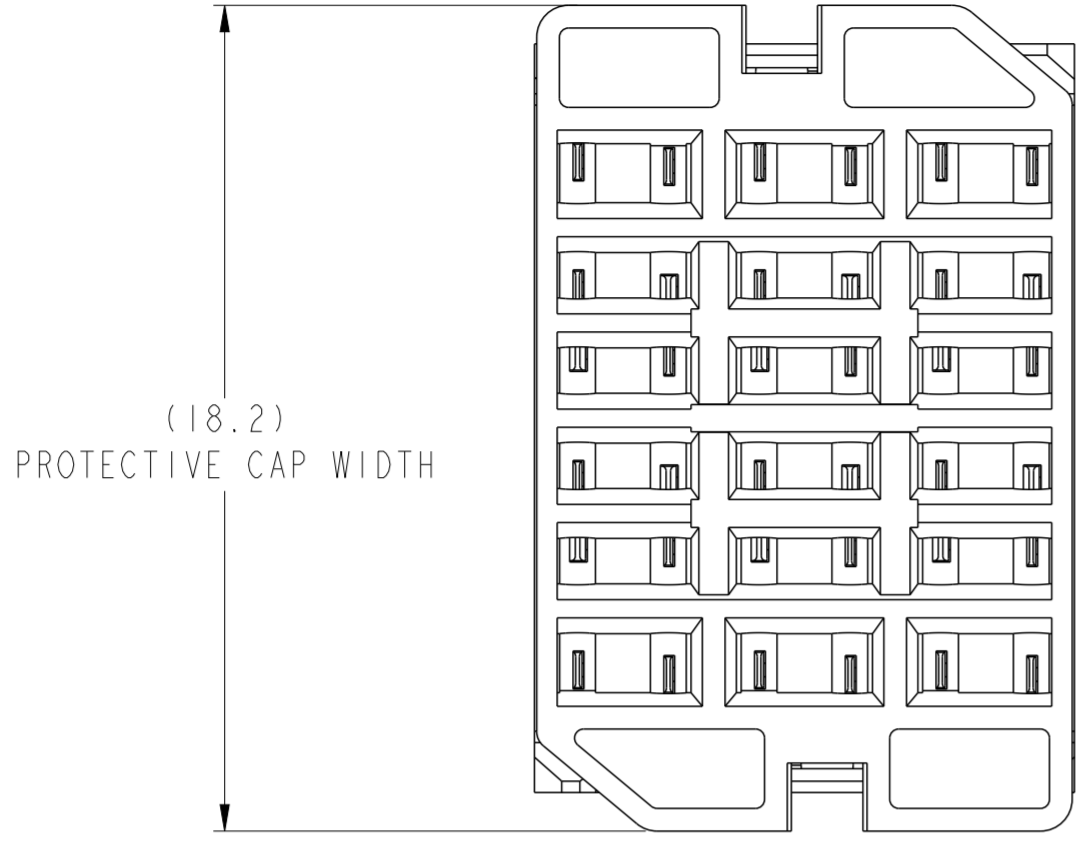


Product number  
SEE TABLE, SHT 3



spec ref	-	dr	Sander Soe	2013/01/31	projection	MM	size	A2	scale	5:1
tolerance std	ASME Y14.5	eng	Tao Zhan	2013/11/14			ecn no	-	rel level	
TOLERANCES UNLESS OTHERWISE SPECIFIED		chr	-	product family			AIRMAX VS	rel level	Released	
surface	✓	appr	Pei-Ming Zheng	2013/11/14			cat. no.	10124261	rev	A
ASME Y14.5	angular	0°	±2°	www.fci.com	Product - Customer Drw		sheet 1 of 4			

Copyright FCI.  
FCI



VIEWS SHOWN WITH PROTECTIVE COVER INSTALLED

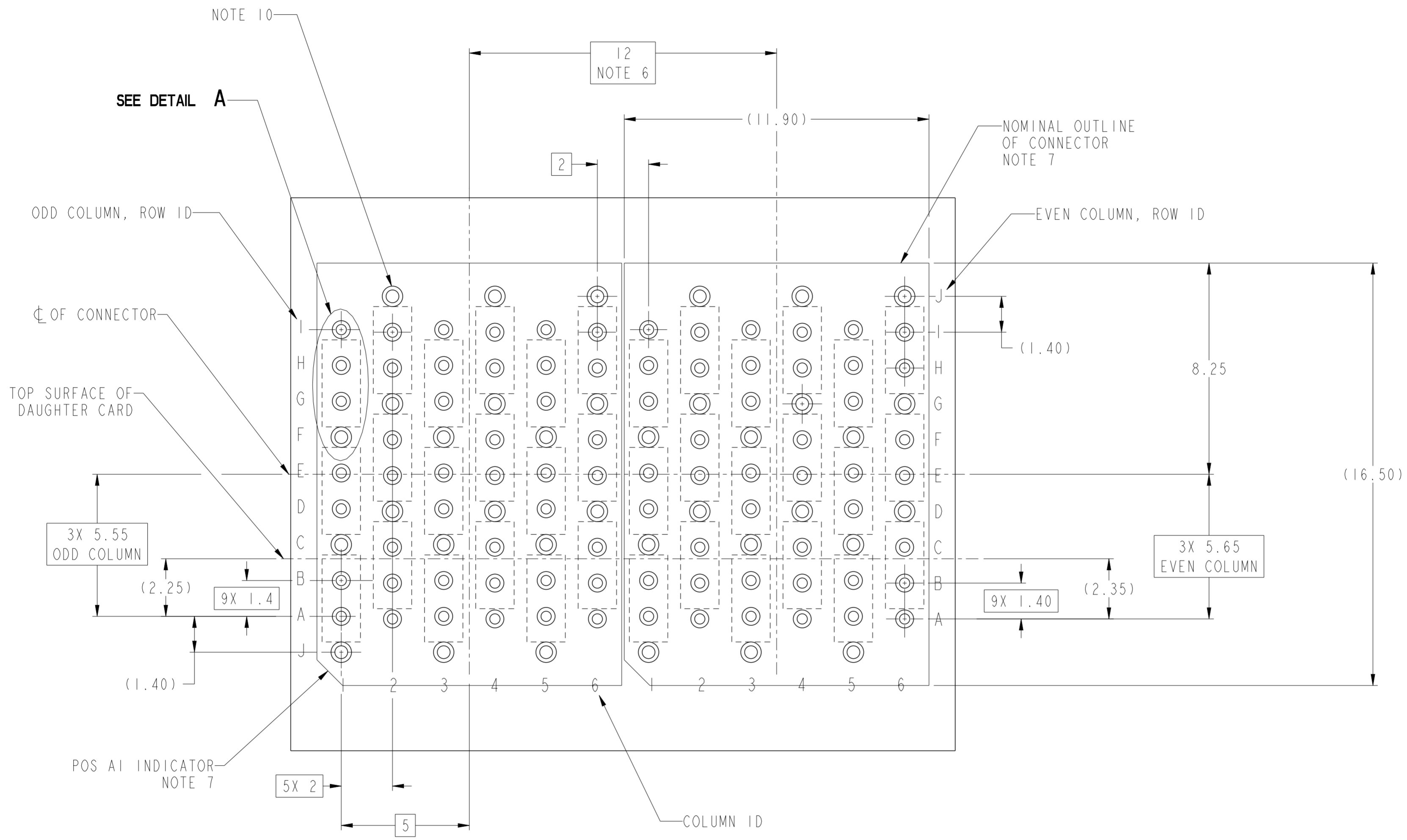
Copyright FCI.  
FCI

spec ref	-	dr	Sander Soe	2013/01/31	projection	MM	size	A2	scale	5:1
tolerance std	ASME Y14.5	eng	Tao Zhan	2013/11/14			ecn no	-	rel level	
TOLERANCES UNLESS OTHERWISE SPECIFIED		chr	-	product family			AIRMAX VS	rel level	Released	
surface	✓	appr	Pei-Ming Zheng	2013/11/14			div no	10124261	rev	A
ASME Y14.5	linear	0.X	±0.3	0.XX	±0.10	0.XXX	±0.050	angular	0°	±2°
		www.fci.com	cat. no.	-	Product - Customer Drw	sheet 2 of 4				

PDS: Rev :A

STATUS:Released

Printed: Nov 14, 2013



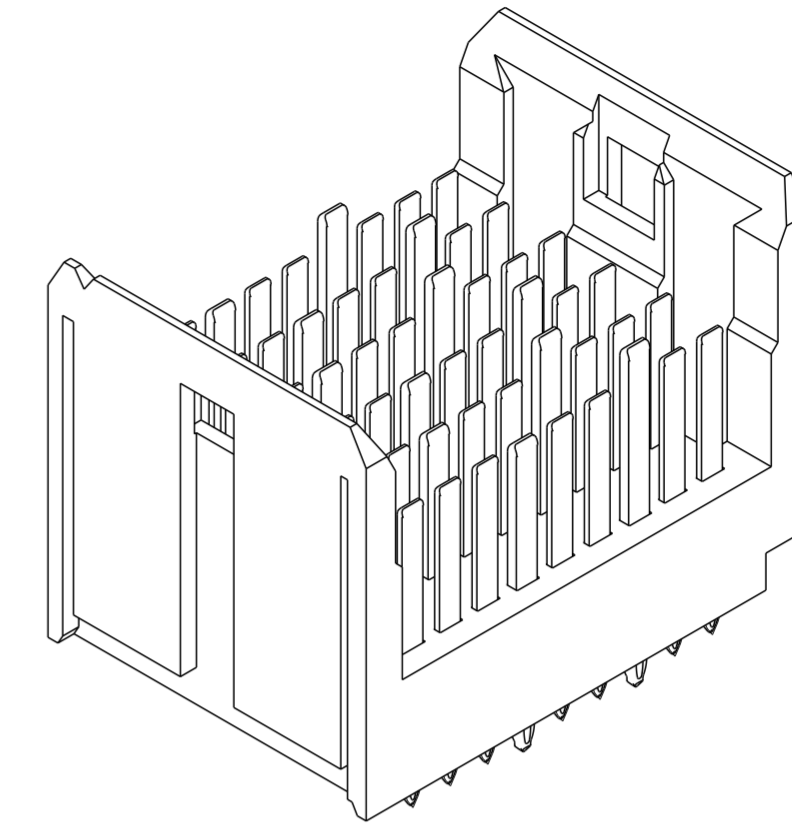
RECOMMENDED PCB LAYOUT  
FOR DIFFERENTIAL APPLICATIONS,  
COMPONENT SIDE  
(TWO ADJACENT FOOTPRINTS SHOWN)  
NOTES 6, AND 8

spec ref	-	dr	Sander Soe	2013/01/31	projection	MM	size	A2	scale	3:1
tolerance std	ASME Y14.5	eng	Tao Zhan	2013/11/14			ecn no	-	rel level	Released
TOLERANCES UNLESS OTHERWISE SPECIFIED		chr	-	product family			AIRMAX VS			
surface	✓	appr	Pei-Ming Zheng	2013/11/14			title	AIRMAX VSe VERTICAL HEADER	dwg no	10124261
ASME Y14.5	linear	0.X	±0.3	www.fci.com	cat. no.	-	Product - Customer Drw	sheet 3 of 4		
		0.XX	±0.10							
		0.XXX	±0.050							
	angular	0°	±2°							

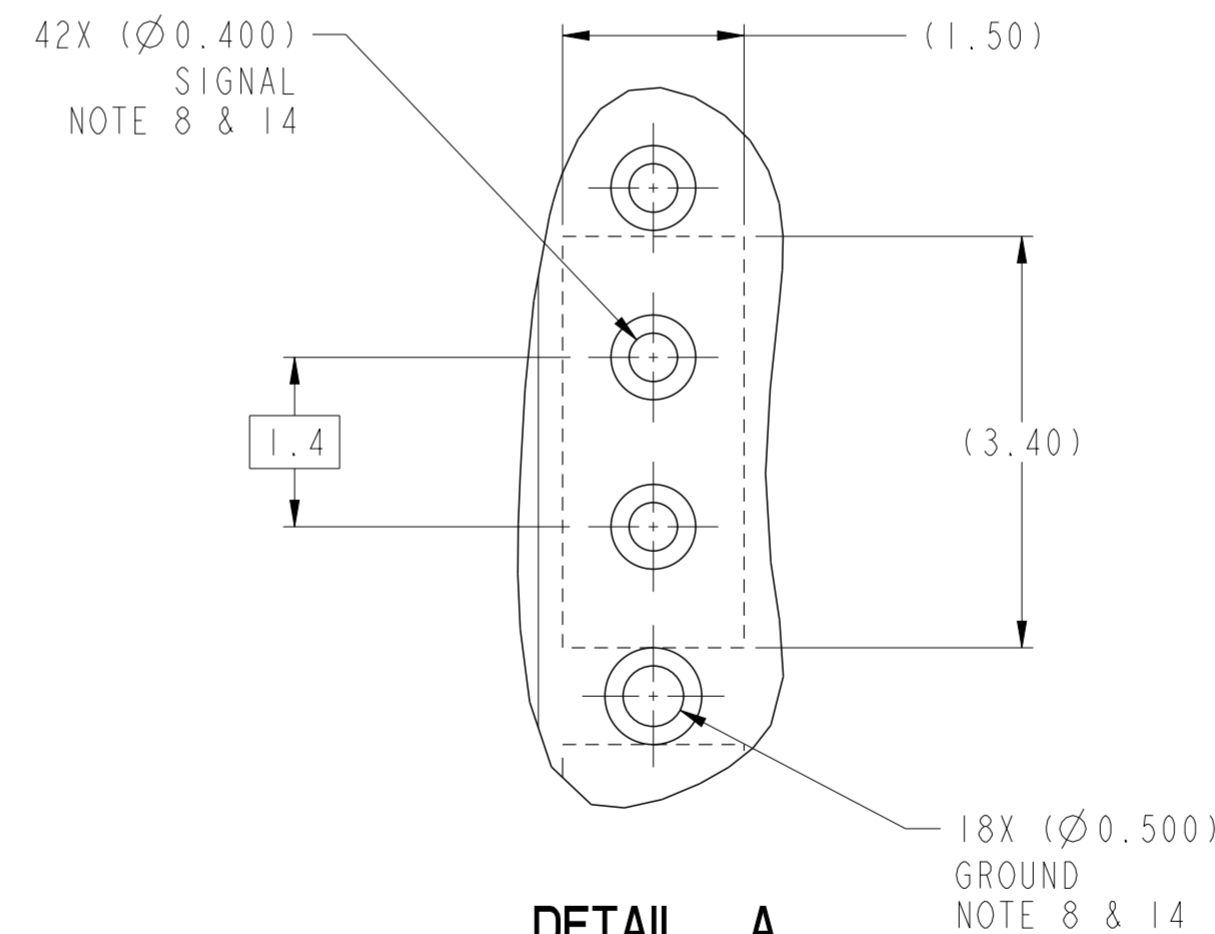
PART NUMBER	PRESS-FIT TAIL PLATING TYPE	PROTECTIVE COVER	LONG GROUND PIN LOCATIONS (5.6MM)
10124261-101LF	TIN OVER NICKEL (LEAD FREE)	YES	F1, F3, F5, G2, G4, G6

NOTES:

1. CONNECTOR MATERIALS:  
HOUSING: HIGH TEMP THERMOPLASTIC, BLACK, UL94V-0  
CONTACT: COPPER ALLOY
2. CONTACT PLATING:  
SEPARABLE INTERFACE: PERFORMANCE-BASED PLATING, QUALIFIED TO MEET THE REQUIREMENTS OF FCI PRODUCT SPECIFICATION GS-12-239 INCLUDING TELCORDIA GR-1217-CORE (NOVEMBER 1995) CENTRAL OFFICE TEST SEQUENCE  
PRESS-FIT TAILS: SEE TABLE
3. PRODUCT SPECIFICATION: GS-12-239.
4. APPLICATION SPECIFICATION: GS-20-035.
5. PRODUCT MARKING, (PROTOTYPE, PART NUMBER & LOT CODE), ON THIS SURFACE.
6. THE MINIMUM CENTERLINE SPACING BETWEEN ADJACENT MODULES IS 12.0 mm.
7. CONNECTOR OUTLINE WITH HOUSING POS AI INDICATOR MAY BE SCREEN PRINTED ONTO CUSTOMER PCB TO BE USED AS A GUIDE FOR MANUAL CONNECTOR PLACEMENT.
8. REFER TO CUSTOMER DRAWING 10104444 FOR INFORMATION ON PCB HOLE DIAMETERS AND PLATING OPTIONS.
9. LEAD FREE PRODUCT MEETS EUROPEAN UNION DIRECTIVES AND OTHER COUNTRY REGULATIONS AS DESCRIBED IN GS-22-008.
10. THE OUTER VIAS IN COLUMN J ARE OPTIONAL. IF ADDED THESE HOLES PROVIDE GROUND SYMETRY THROUGH THE PCB. NO CONNECTOR EONS WILL BE PRESSED INTO THESE HOLES.
11. PACKAGING MEETS GS-14-920 LEAD FREE LABELING SPECIFICATION.
12. FOR REMOVAL OF THE PROTECTIVE CAP BY HAND, GRIP USING THESE SURFACES.
13. FOR REMOVAL OF THE PROTECTIVE CAP WITH PLIERS, GRIP USING THIS FEATURE.
14. GROUND VIAS IN POSITIONS C, F, & J FOR ODD COLUMNS AND POSITIONS D, G, & J FOR EVEN COLUMNS REQUIRE (Ø0.50) FINISHED HOLES. ALL OTHER VIAS REQUIRE (Ø0.40) FINISHED HOLES.
15. A  $\Delta$  SYMBOL WILL BE NEXT TO ANY DIMENSION, VIEW OR NOTE, WHICH HAS BEEN MODIFIED WITH THE CURRENT DRAWING REVISION.



10124261-101LF (REMOVE THE COVER)



spec ref	-	dr	Sander Soe	2013/01/31	projection	MM	size	A2	scale	5:1	
tolerance std	ASME Y14.5	eng	Tao Zhan	2013/11/14			ecn no	-	rel level	Released	
TOLERANCES UNLESS OTHERWISE SPECIFIED		chr	-	appr							Pei-Ming Zheng
surface	✓	linear	0.X	±0.3		<b>AIRMAX VSe VERTICAL HEADER</b> SMALL PF, 54 POS, 12 mm, NARROW BODY	cat. no.	Product - Customer Drw	sheet 4 of 4	rev	A
			0.XX	±0.10						div	10124261
			0.XXX	±0.050							
ASME Y14.5	angular	0°	±2°	www.fci.com	cat. no.	-	Product - Customer Drw	sheet 4 of 4			