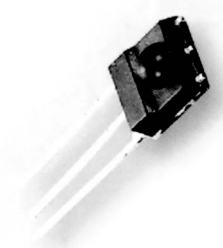
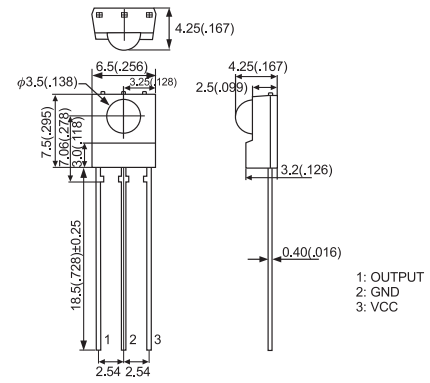
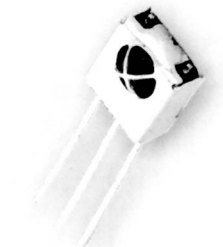
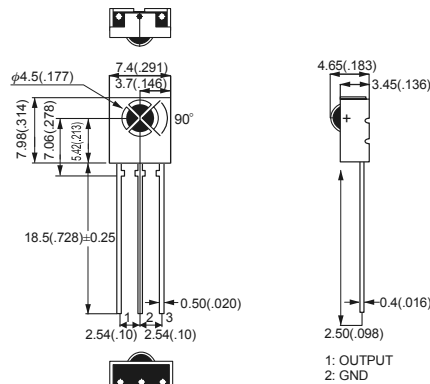

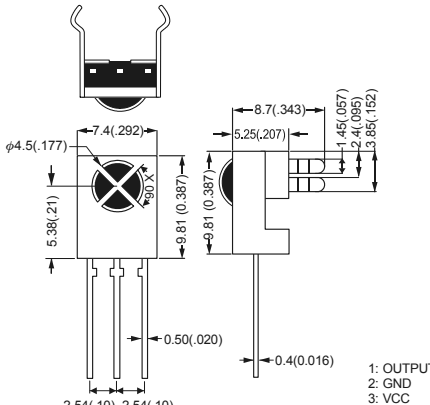
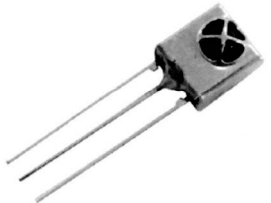
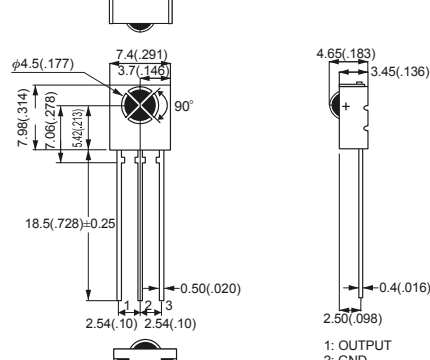


# RECEIVER MODULE

Part No.	B.P.F	Supply Voltage (V)		Supply Current Max(mA)	Receiving Distance Min (m)	Receiving Wavelength (nm)	Angle (θ)	Drawing No.
	Center Frequency (KHz)	Min.	Max.					
BRM-15B6	36.0	2.7	5.0	1.5	12	940	±45	L-138
BRM-15B8	38.0	2.4	5.0	1.5	12	940	±45	
BRM-15B0	40.0	4.5	5.0	1.5	12	940	±45	
BRM-15BH	56.0	4.5	5.0	1.5	12	940	±45	
BRM-13A8	38.0	2.7	5.0	1.5	12	940	±45	
BRM-1458	38.0	2.7	5.0	1.2	12	940	±45	
BRM-1A18	38.0	2.7	5.0	1.5	12	940	±45	
BRM-1538	38.0	2.7	5.0	1.5	12	940	±45	
BRM-15S8	38.0	2.7	5.0	1.5	12	940	±45	
BRM-1528	38.0	2.7	5.0	1.5	12	940	±45	
BRM-15B6-11	36.0	2.7	5.0	1.5	12	940	±45	L-139
BRM-15B8-11	38.0	2.7	5.0	1.5	12	940	±45	
BRM-15B0-11	40.0	2.7	5.0	1.5	12	940	±45	
BRM-15BH-11	56.0	2.7	5.0	1.5	12	940	±45	
BRM-13A8-11	38.0	2.7	5.0	1.5	12	940	±45	
BRM-1458-11	38.0	2.7	5.0	1.5	12	940	±45	
BRM-1A18-11	38.0	2.7	5.0	1.5	12	940	±45	
BRM-1N16-11	36.0	2.7	5.0	1.5	12	940	±45	
BRM-1N18-11	38.0	2.7	5.0	1.5	12	940	±45	
BRM-1N10-11	40.0	2.7	5.0	1.5	12	940	±45	
BRM-1N1H-11	56.0	2.7	5.0	1.5	12	940	±45	
BRM-1538-11	38.0	2.7	5.0	1.5	12	940	±45	
BRM-15S8-11	38.0	2.7	5.0	1.5	12	940	±45	
BRM-1528-11	38.0	2.7	5.0	1.5	12	940	±45	
BRM-15B8-13	38.0	2.7	5.0	1.5	12	940	±45	L-140
BRM-13A8-13	38.0	2.7	5.0	1.5	12	940	±45	
BRM-1458-13	38.0	2.7	5.0	1.5	12	940	±45	
BRM-1A18-13	38.0	2.7	5.0	1.5	12	940	±45	
BRM-1N18-13	38.0	2.7	5.0	1.5	12	940	±45	
BRM-1538-13	38.0	2.7	5.0	1.5	12	940	±45	
BRM-15S8-13	38.0	2.7	5.0	1.5	12	940	±45	
BRM-1528-13	38.0	2.7	5.0	1.5	12	940	±45	
BRM-15B8-14	38.0	2.7	5.0	1.5	12	940	±45	L-141
BRM-13A8-14	38.0	2.7	5.0	1.5	12	940	±45	
BRM-1458-14	38.0	2.7	5.0	1.5	12	940	±45	
BRM-1A18-14	38.0	2.7	5.0	1.5	12	940	±45	
BRM-1N18-14	38.0	2.7	5.0	1.5	12	940	±45	
BRM-1538-14	38.0	2.7	5.0	1.5	12	940	±45	
BRM-15S8-14	38.0	2.7	5.0	1.5	12	940	±45	
BRM-1528-14	38.0	2.7	5.0	1.5	12	940	±45	

# RECEIVER MODULE

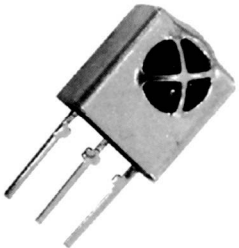
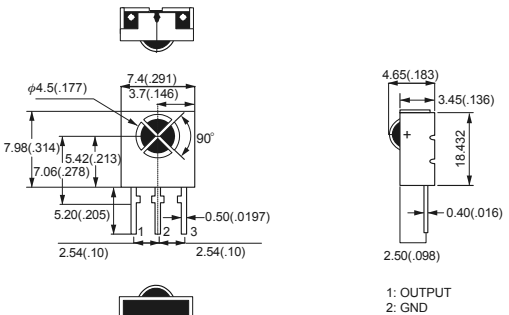
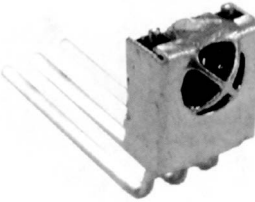
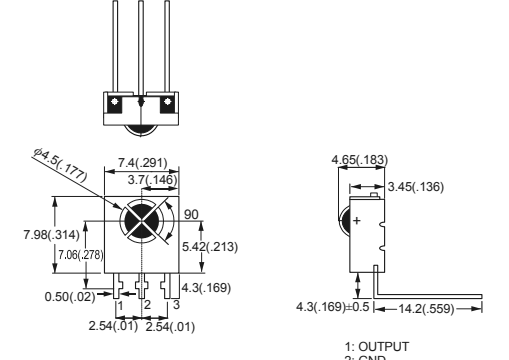
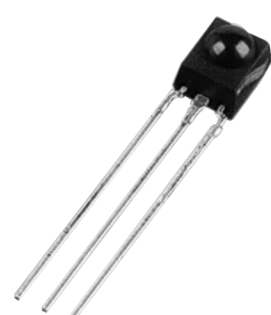
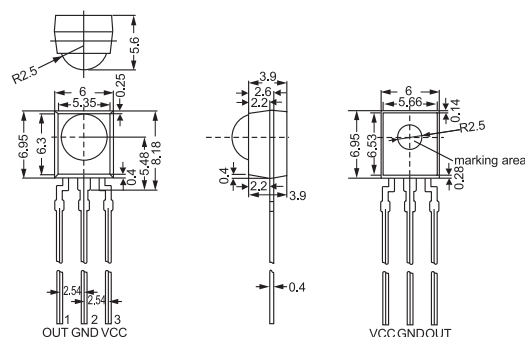

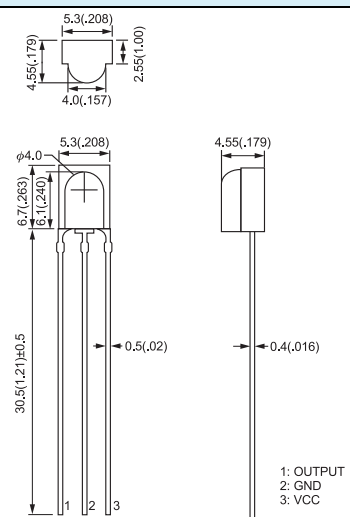
L-138	BRM-xxxx
	 <p>1: OUTPUT 2: GND 3: VCC</p>
L-139	BRM-xxxx-11
	 <p>1: OUTPUT 2: GND 3: VCC</p>
L-140	BRM-xxxx-13
	 <p>1: OUTPUT 2: GND 3: VCC</p>
L-141	BRM-xxxx-14
	 <p>1: OUTPUT 2: GND 3: VCC</p>

Notes: 1. All dimensions are in millimeters (inches).  
2. Tolerance is  $\pm 0.25\text{mm}$  (.010")

# RECEIVER MODULE

Part No.	B.P.F	Supply Voltage (V)		Supply Current Max(mA)	Recepting Distance Min (m)	Receiving Wavelength (nm)	Angle (θ)	Drawing No.
	Center Frequency (KHz)	Min.	Max.					
BRM-15B8-11-LC5.2	38.0	2.7	5.0	1.5	12	940	±45	L-142
BRM-13A8-11-LC5.2	38.0	2.7	5.0	1.5	12	940	±45	
BRM-1458-11-LC5.2	38.0	2.7	5.0	1.5	12	940	±45	
BRM-1A18-11-LC5.2	38.0	2.7	5.0	1.5	12	940	±45	
BRM-1N18-11-LC5.2	38.0	2.7	5.0	1.5	12	940	±45	
BRM-1538-11-LC5.2	38.0	2.7	5.0	1.5	12	940	±45	
BRM-15S8-11-LC5.2	38.0	2.7	5.0	1.5	12	940	±45	
BRM-1528-11-LC5.2	38.0	2.7	5.0	1.5	12	940	±45	
BRM-15B8-11-FB4.3	38.0	2.7	5.0	1.5	12	940	±45	L-143
BRM-13A8-11-FB4.3	38.0	2.7	5.0	1.5	12	940	±45	
BRM-1458-11-FB4.3	38.0	2.7	5.0	1.5	12	940	±45	
BRM-1A18-11-FB4.3	38.0	2.7	5.0	1.5	12	940	±45	
BRM-1N18-11-FB4.3	38.0	2.7	5.0	1.5	12	940	±45	
BRM-1538-11-FB4.3	38.0	2.7	5.0	1.5	12	940	±45	
BRM-15S8-11-FB4.3	38.0	2.7	5.0	1.5	12	940	±45	
BRM-1528-11-FB4.3	38.0	2.7	5.0	1.5	12	940	±45	
BRM-25B8	38.0	2.7	5.0	1.5	12	940	±45	L-144
BRM-23A8	38.0	2.7	5.0	1.5	12	940	±45	
BRM-2458	38.0	2.7	5.0	1.5	12	940	±45	
BRM-2A18	38.0	2.7	5.0	1.5	12	940	±45	
BRM-2N18	38.0	2.7	5.0	1.5	12	940	±45	
BRM-2538	38.0	2.7	5.0	1.5	12	940	±45	
BRM-25S8	38.0	2.7	5.0	1.5	12	940	±45	
BRM-2528	38.0	2.7	5.0	1.5	12	940	±45	
BRM-45B8	38.0	2.7	5.0	1.5	12	940	±45	L-145
BRM-43A8	38.0	2.7	5.0	1.5	12	940	±45	
BRM-4458	38.0	2.7	5.0	1.5	12	940	±45	
BRM-4A18	38.0	2.7	5.0	1.5	12	940	±45	
BRM-4N18	38.0	2.7	5.0	1.5	12	940	±45	
BRM-4538	38.0	2.7	5.0	1.5	12	940	±45	
BRM-45S8	38.0	2.7	5.0	1.5	12	940	±45	
BRM-4528	38.0	2.7	5.0	1.5	12	940	±45	

# RECEIVER MODULE

<p><b>L-142</b></p> 	<p><b>BRM-xxxx-11-LC5.2</b></p>  <p>1: OUTPUT 2: GND 3: VCC</p>
<p><b>L-143</b></p> 	<p><b>BRM-xxxx-11-FB4.3</b></p>  <p>1: OUTPUT 2: GND 3: VCC</p>
<p><b>L-144</b></p> 	<p><b>BRM-xxxx</b></p>  <p>OUT GND VCC VCC GND OUT</p>
<p><b>L-145</b></p> 	<p><b>BRM-xxxx</b></p>  <p>1: OUTPUT 2: GND 3: VCC</p>

Notes: 1. All dimensions are in millimeters (inches).  
2. Tolerance is  $\pm 0.25\text{mm}$  (.010")