

4

3

2

1

THIS DRAWING IS UNPUBLISHED.

RELEASED FOR PUBLICATION

- . - .

© COPYRIGHT - BY TYCO ELECTRONICS CORPORATION.

ALL RIGHTS RESERVED.

LOC  
FTDIST  
0

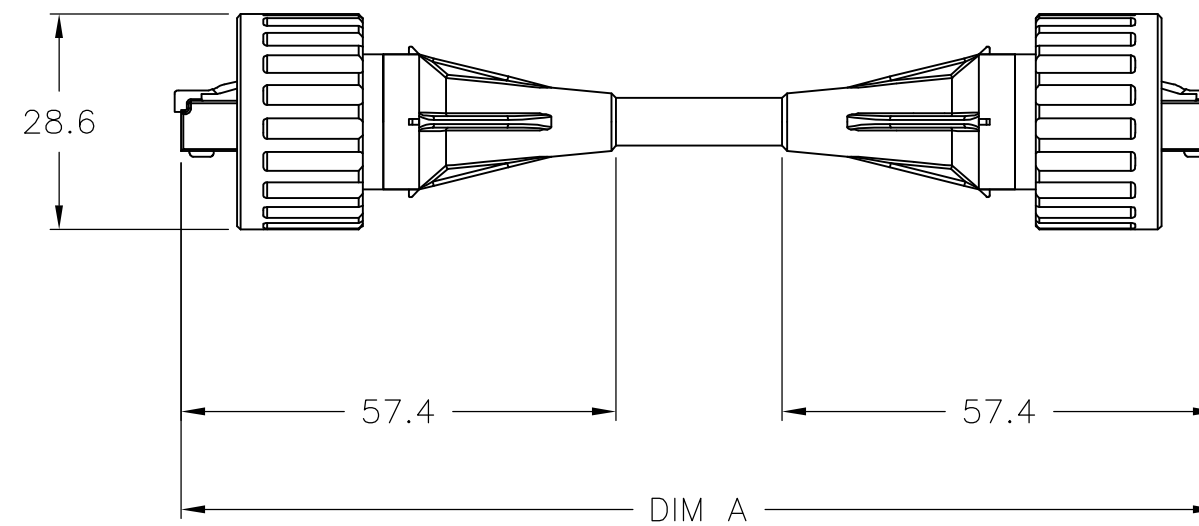
REVISIONS

P	LTR	DESCRIPTION	DATE	DWN	APVD
	D1	REVISED PER ECO-07-018401	8/21/07	SS	MS



MATERIALS:

INSERT: ACRYLONITRILE-BUTADIENE-STYRENE, (ABS)  
OVERMOLD: PVC



PRELIMINARY	SHIELDED/STRANDED	+76mm/-0.0	3 METERS	1-1546453-3
	STRANDED	+76mm/-0.0	5 METERS	1-1546453-2
	STRANDED	+38mm/-0.0	2 METERS	1-1546453-1
SUPERSEDED	-	+76mm/-0.0	5 METERS	1546453-2
SUPERSEDED	-	+38mm/-0.0	2 METERS	1546453-1
	CABLE	TOLERANCE	DIM A	PART NO.

THIS DRAWING IS A CONTROLLED DOCUMENT.		DWN S SCHLEGEL 28MAY2003	Tyco Electronics Corporation Harrisburg, PA 17105-3608	
DIMENSIONS: mm		CHK H WAKEEM 5/28/03	NAME INDUSTRIAL ETHERNET CORDSET, STRANDED, DOUBLE ENDED INDUSTRIAL	
TOLERANCES UNLESS OTHERWISE SPECIFIED:		APVD H WAKEEM 5/28/03	PRODUCT SPEC -	
0 PLC ± -		APPLICATION SPEC -	SIZE A3	CAGE CODE 00779
1 PLC ± .5		WEIGHT -	DRAWING NO C-1546453	RESTRICTED TO -
2 PLC ± .13		CUSTOMER DRAWING		
3 PLC ± -		SCALE NTS	SHEET 1 OF 1	REV D1
4 PLC ± -				
ANGLES ± 2'				
MATERIAL -				
FINISH -				