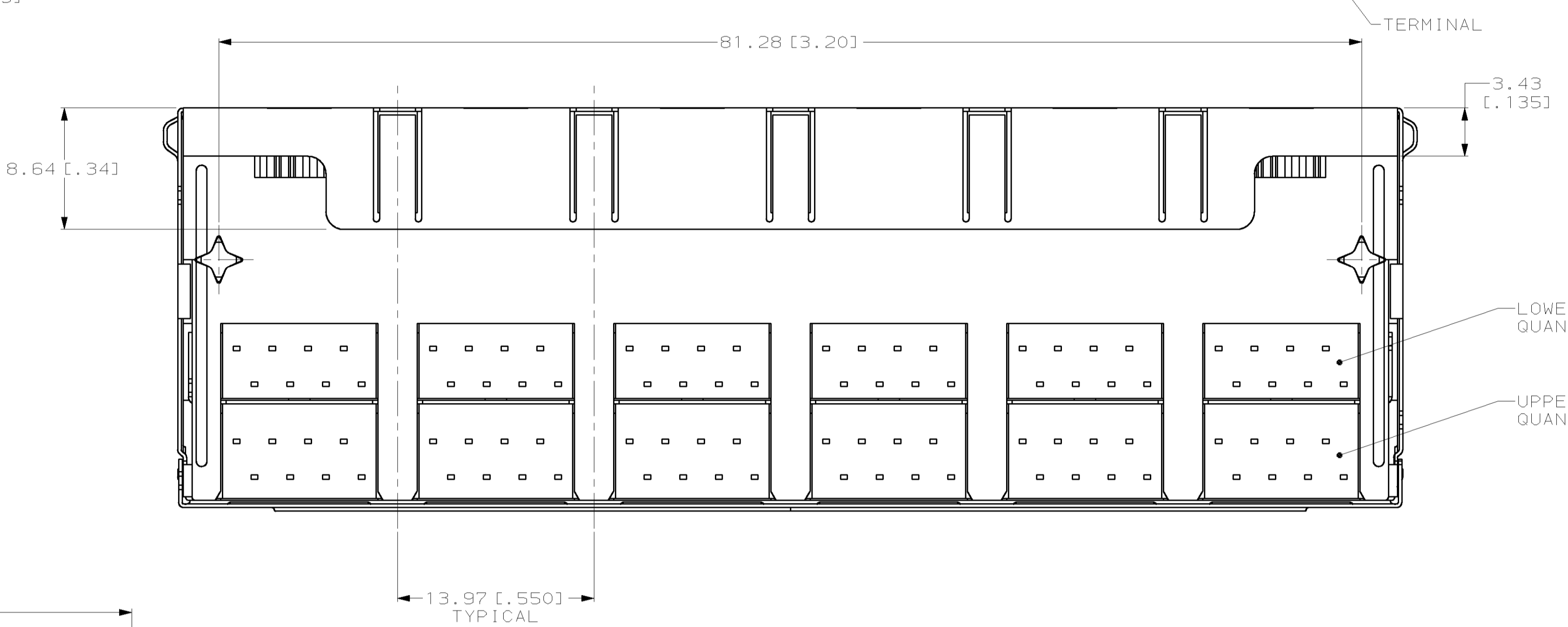
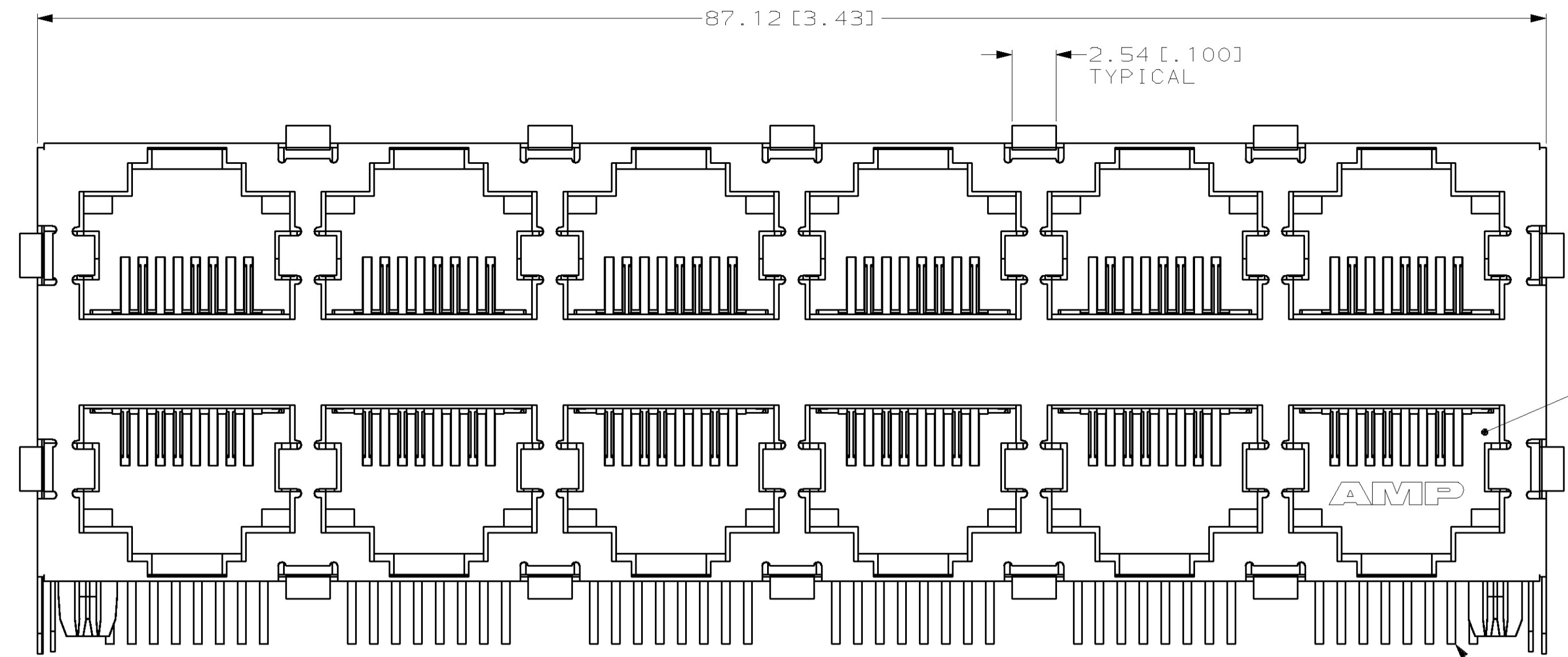
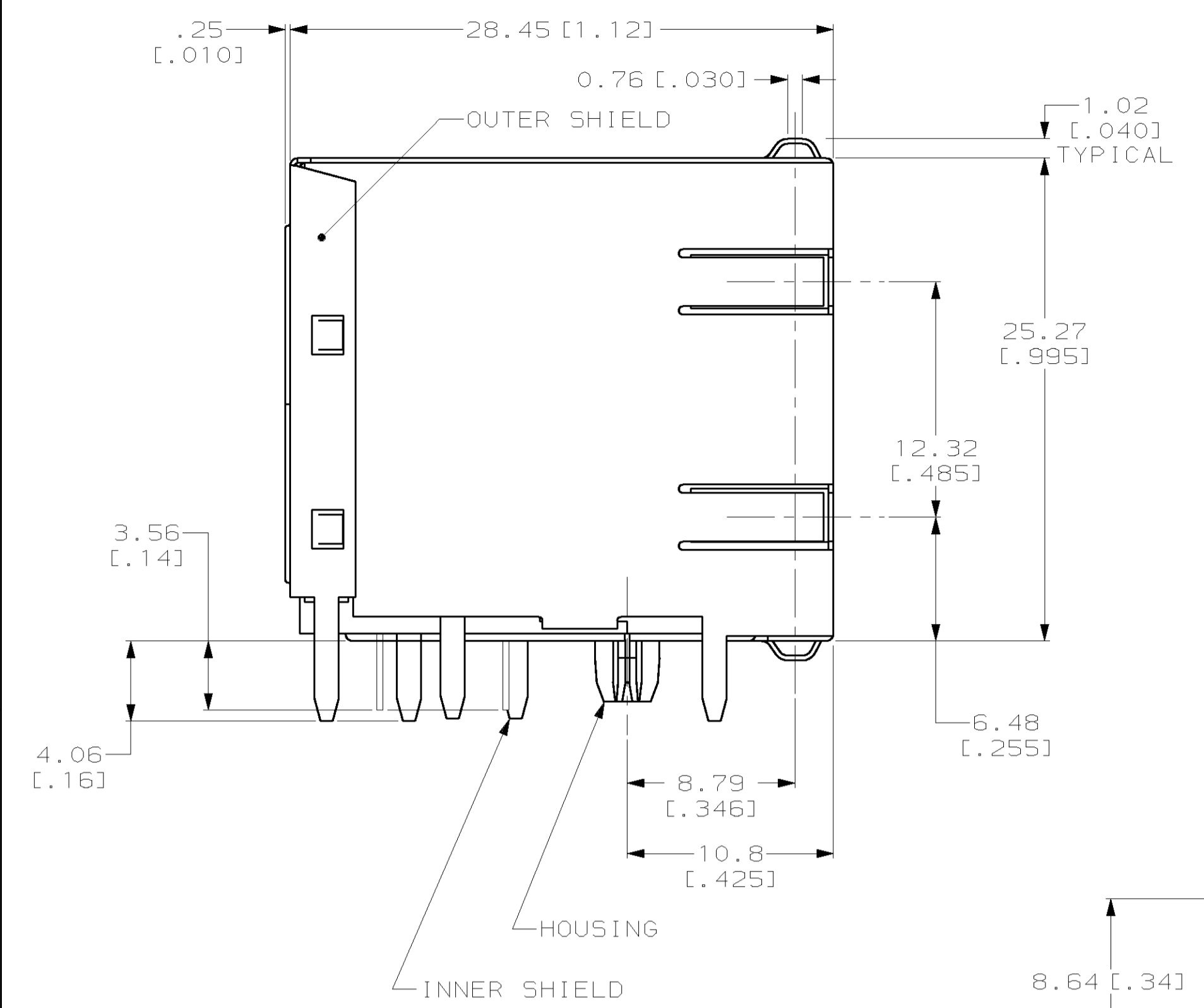
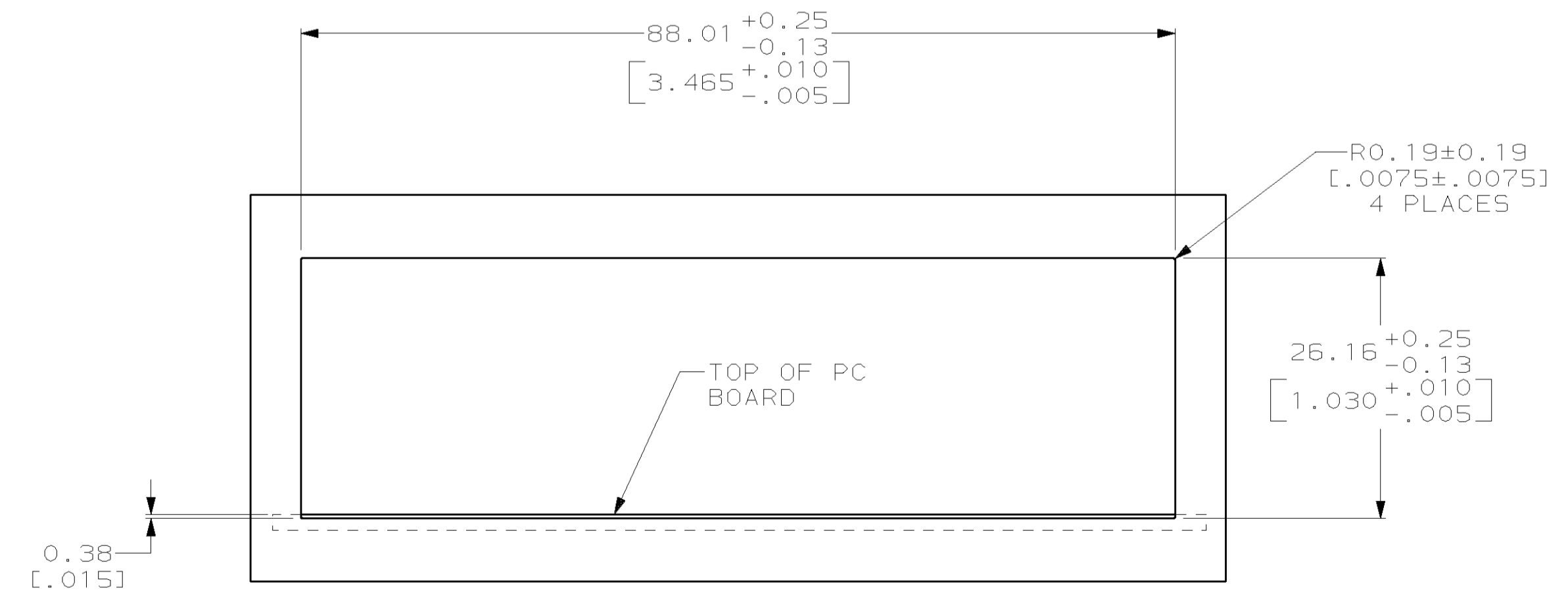
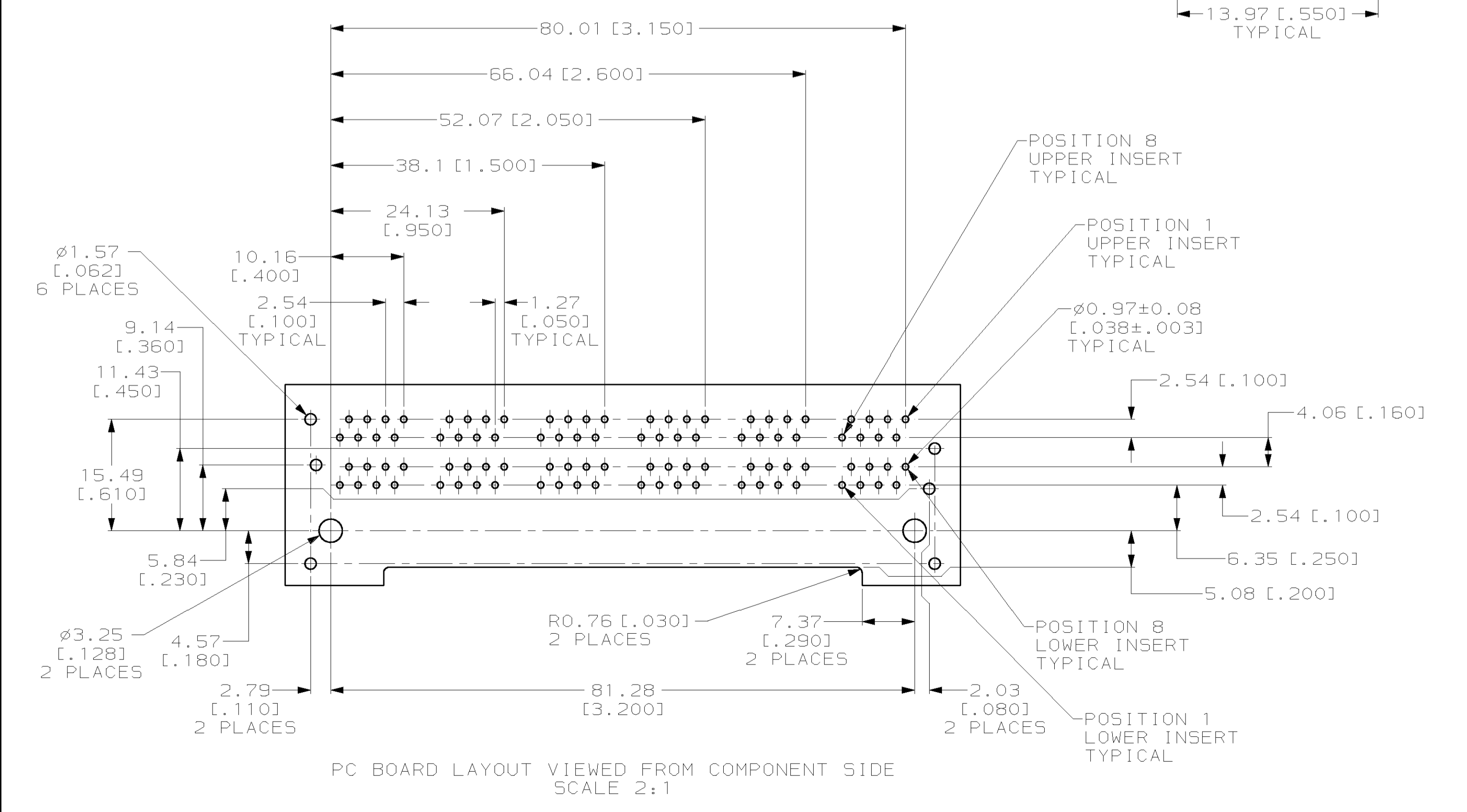


LOC	DIST	REV	DESCRIPTION	DATE	BY	APVD
AA	22	J	REVISED, EC OUI-C-0088-01	07MAR01	DL	ECL



⚠ MATERIAL: HOUSING - PCT POLYESTER, BLACK, UL 94V-0.  
 OVERMOLDED TERMINAL ARRAY - PBT, BROWN.  
 TERMINALS - 0.33[.013] THICK PH05 BRONZE PLATED WITH 1.27µm[.000050] MINIMUM THICK HARD GOLD IN LOCALIZED AREA AND 3.81µm [.000150] MINIMUM THICK TIN-LEAD IN SOLDER AREA OVER 1.27µm[.000050] MINIMUM THICK NICKEL UNDERPLATE.  
 SHIELD - 0.25[.010] THICK COPPER ALLOY PLATED WITH 2.03µm[.000080] MINIMUM THICK TIN-LEAD OVER 2.54µm[.000100] MINIMUM COPPER OR 1.27µm [.000050] MINIMUM NICKEL UNDERPLATE.  
 ⚠ JACK CAVITY CONFORMS TO FCC RULES AND REGULATIONS, PART 68 SUBPART F.



SUGGESTED PANEL CUTOUT DIMENSIONS  
 SCALE 2:1

569263-1  
 PART NUMBER

DIMENSIONS: mm [INCHES]		TOLERANCES UNLESS OTHERWISE SPECIFIED: 0 PLC ± 1 PLC ± 2 PLC ±0.25[.010] 3 PLC ±0.13[.005] 4 PLC ± ANGLES ±		DWN I. SPRINKLE 09 JUN 95 CHK C. WHITT 23 JUN 95 APVD J. VARSIK 30 JUN 95 PRODUCT SPEC APPLICATION SPEC WEIGHT CUSTOMER DRAWING		AMP Incorporated Harrisburg, PA 17105-3608 NAME STACKED MODULAR JACK ASSEMBLY, 2x6 PORT, 8 POSITION, SHIELDED, PANEL GROUND, CATEGORY 5 SIZE A1 CAGE CODE 00779 DRAWING NO. C-569263 SCALE 4:1 SHEET 1 of 1 REV J	
----------------------------	--	---	--	---	--	---	--