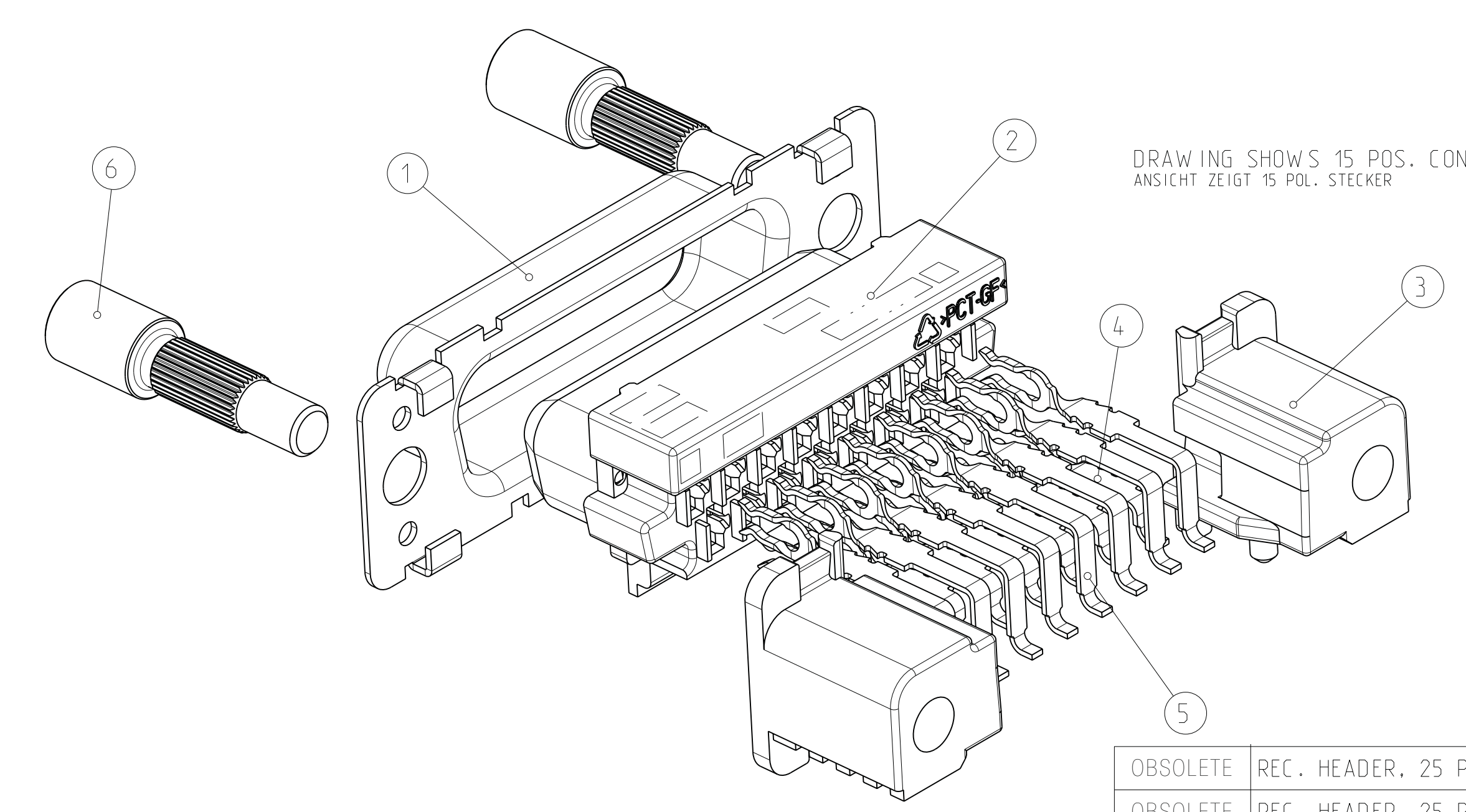
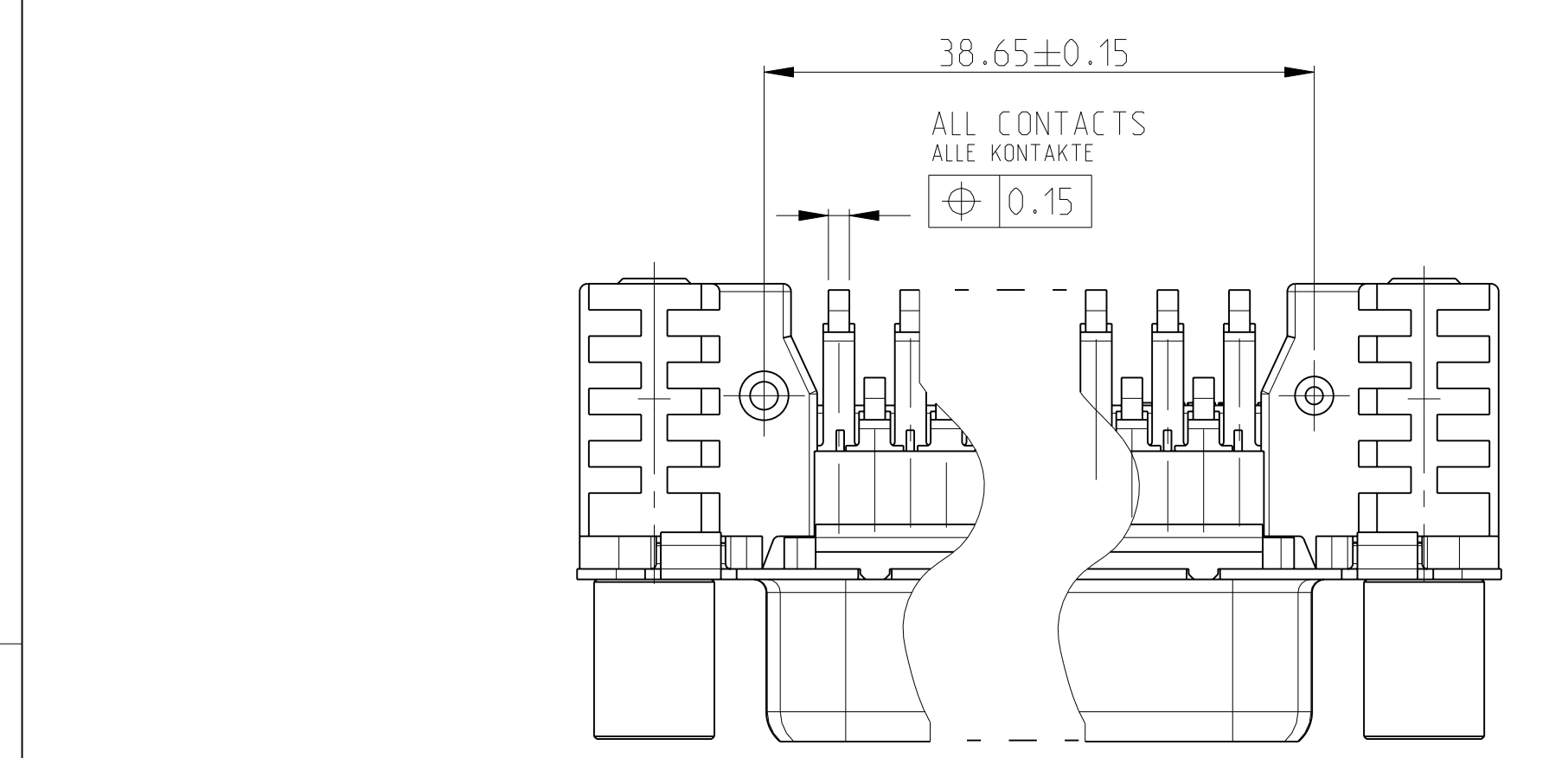
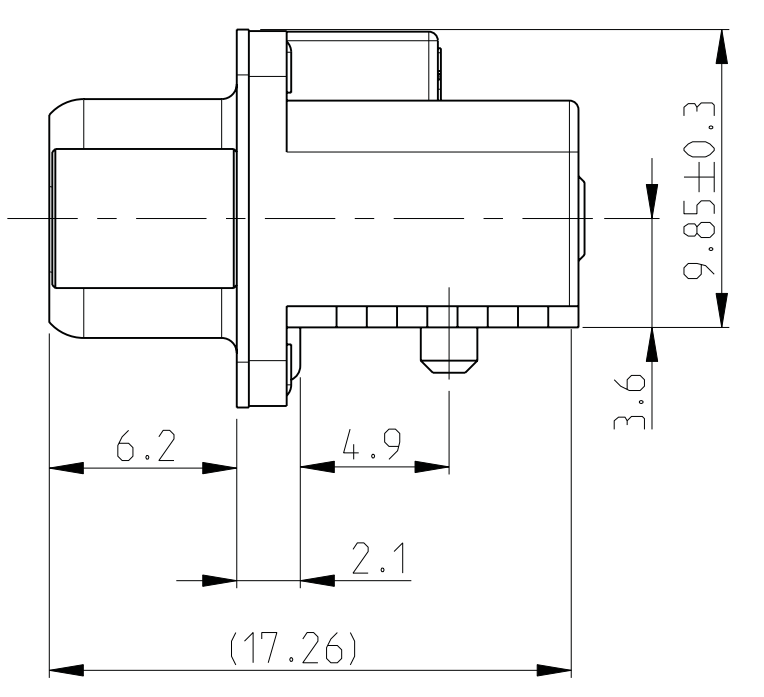
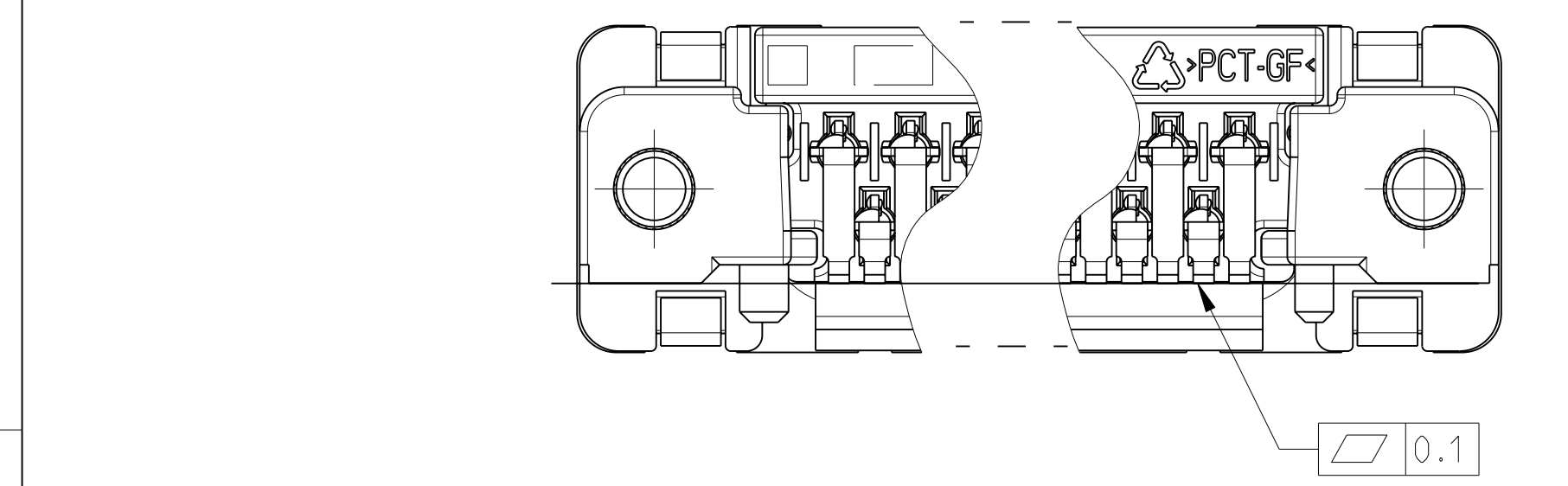


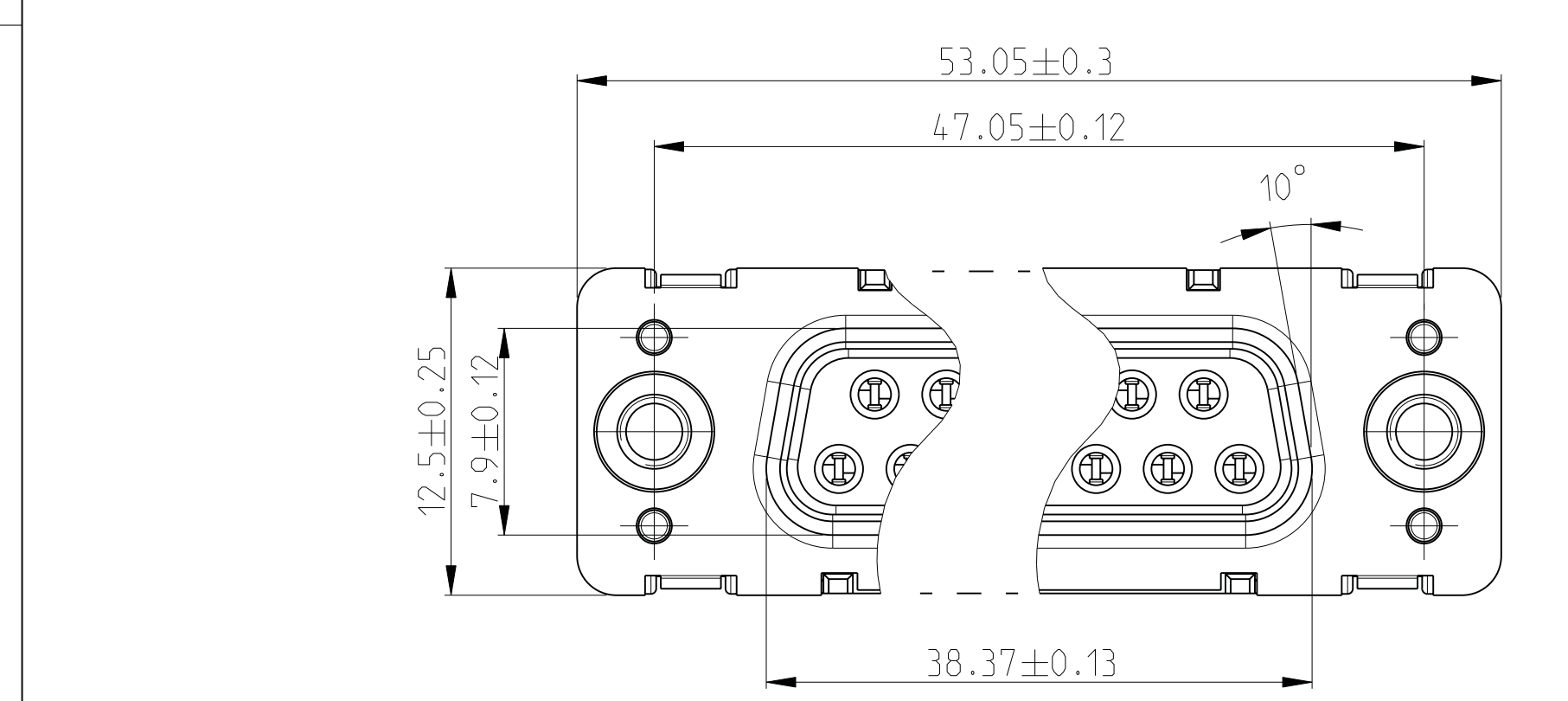
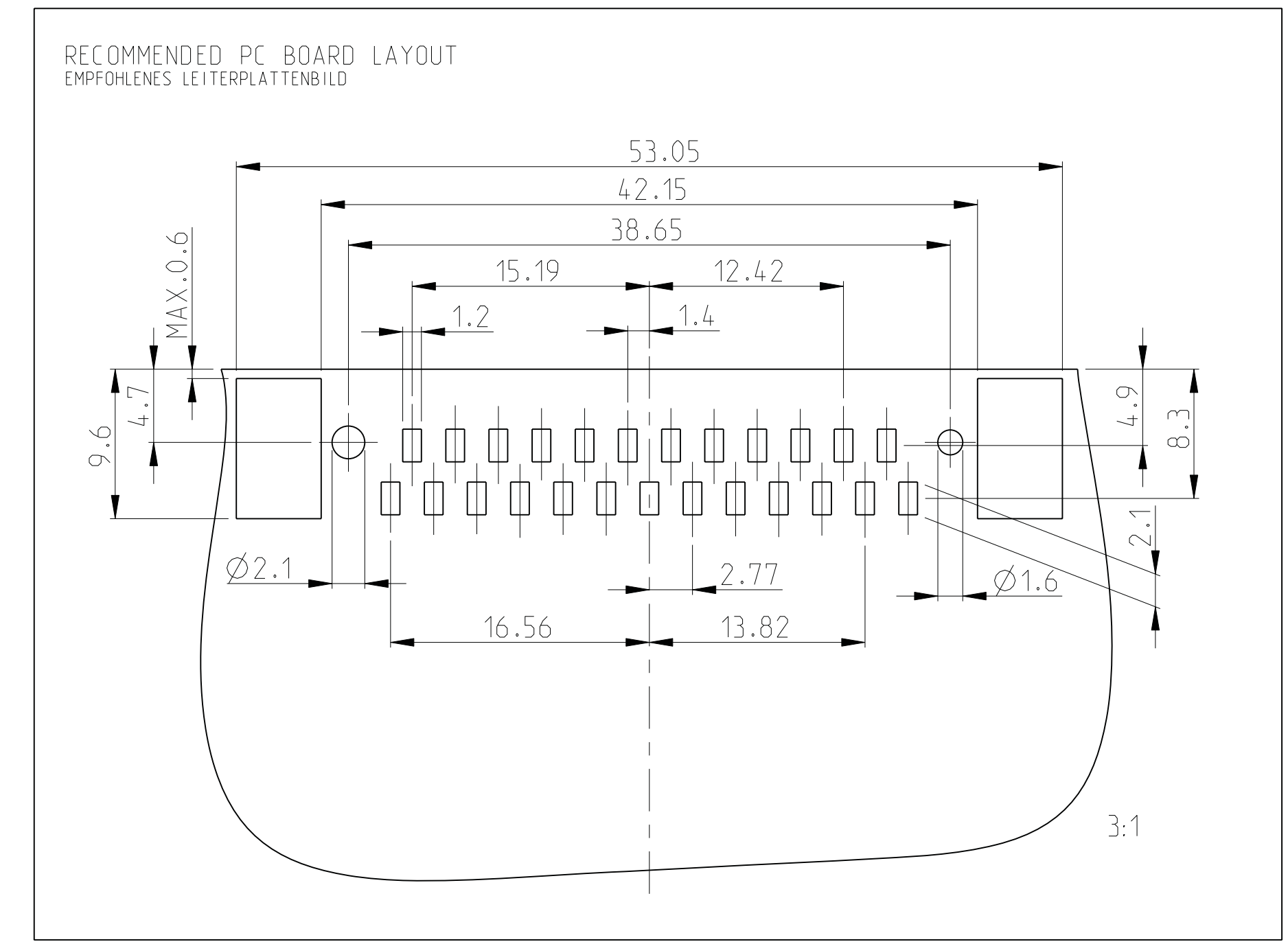
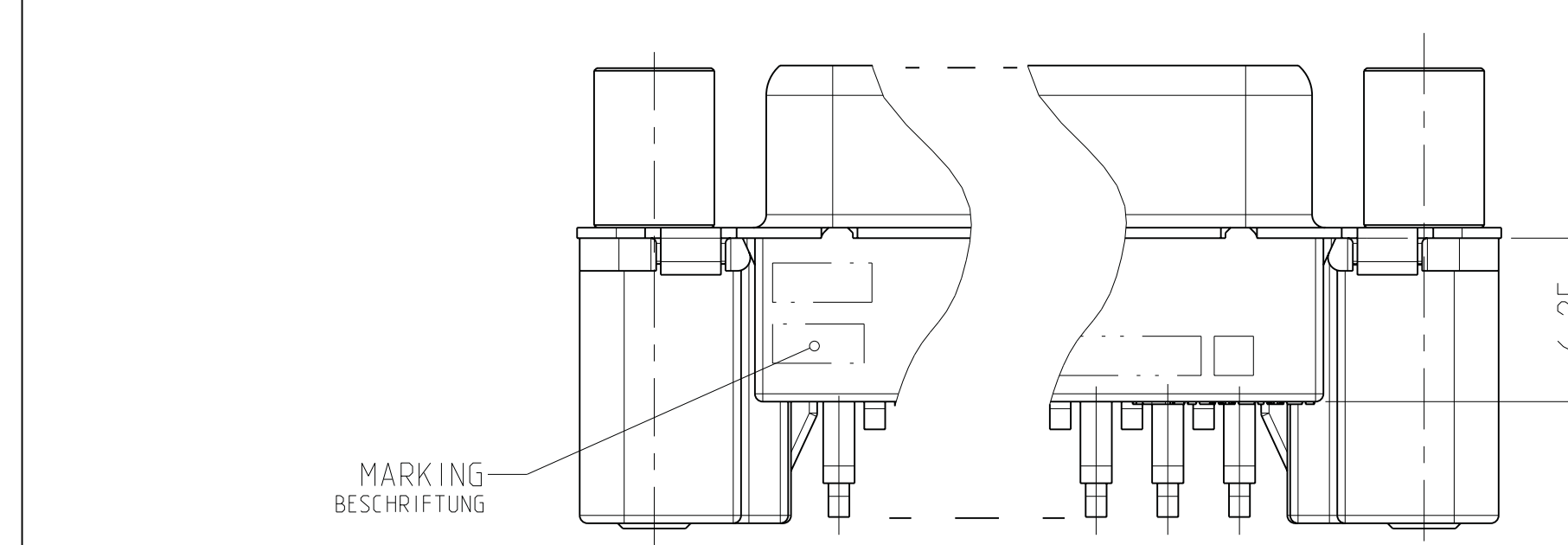
LOC	DIST	REVISIONS				
AI		REV.	DESCRIPTION	DATE	BY	CHK
PROJEKT NR.: EGDW03028		C1	PCN-10-001404	06APR2010	FM	TK
		D	ECR-10-012464	29SEP10	RK	KMA
		E	REVISED PER ECO-12-000073	29FEB2012	CJV	SLB



DRAWING SHOWS 15 POS. CONNECTOR
 ANSICHT ZEIGT 15 POL. STECKER



OBSOLETE	REC. HEADER, 25 POS., STUD WITH THREAD M3	4-1740198-2	4-1740198-5
OBSOLETE	REC. HEADER, 25 POS., BRACKET WITH THREAD M3	2-1740198-2	2-1740198-5
	REC. HEADER, 25 POS., STUD WITH THREAD UNC 4-40	3-1740198-2	3-1740198-5
	REC. HEADER, 25 POS., BRACKET WITH THREAD UNC 4-40	1-1740198-2	1-1740198-5
OBSOLETE	REC. HEADER, 25 POS., BRACKET WITH HOLE Ø3.1	0-1740198-2	0-1740198-5
	DESCRIPTION	SHELL PLATING: TIN OVER Ni	SHELL PLATING: Ni



REMARKS:
 ⚠ CONTACT AREA: min. 0.8 µm Au OVER 1.27 µm Ni.
 SOLDER AREA: 3-5 µm Sn OVER min. 1.27 µm Ni
 2 PACKAGING SEE SHEET 2
 3 CONNECTOR SUITABLE FOR LEAD-FREE SMT SOLDER PROCESS
 ⚠ TIN OVER NICKEL

BEMERKUNGEN:
 ⚠ KONTAKTBEREICH: min. 0.8 µm Au UEBER 1.27 µm Ni.
 LOETBEREICH: 3-5 µm Sn UEBER min. 1.27 µm Ni
 2 VERPACKUNGSART SIEHE BLATT 2
 3 STECKER GEEIGNET FUER BLEIFREIES SMT LOETEN
 ⚠ ZINN UEBER NICKEL

POS.	QTY.	DESCRIPTION BENENNUNG	SURFACE OBERFLAECHE COLOUR/FARBE	MATERIAL
6	2	THREAD STUD GEWINDEBOLZEN	NICKEL	STEEL STAHL
5	13	REC. CONTACT, SMD, LONG BUCHSENKONTAKT, SMD, LANG	⚠	CuMg
4	12	REC. CONTACT, SMD, SHORT BUCHSENKONTAKT, SMD, KURZ	⚠	CuMg
3	2	BRACKET, SMD, LEFT/RIGHT WINKELSTUECK, SMD, LINKS/RECHTS	⚠	CAST METAL DRUCKGUSS
2	1	REC. HOUSING BUCHSENGEHAUSE	BLACK SCHWARZ	PCT-GF
1	1	SHELL SCHIRMBLECH	SEE TABLE SIEHE TABELLE	STEEL STAHL

POS.	QTY.	DESCRIPTION BENENNUNG	SURFACE OBERFLAECHE COLOUR/FARBE	MATERIAL
6	2	THREAD STUD GEWINDEBOLZEN	NICKEL	STEEL STAHL
5	13	REC. CONTACT, SMD, LONG BUCHSENKONTAKT, SMD, LANG	⚠	CuMg
4	12	REC. CONTACT, SMD, SHORT BUCHSENKONTAKT, SMD, KURZ	⚠	CuMg
3	2	BRACKET, SMD, LEFT/RIGHT WINKELSTUECK, SMD, LINKS/RECHTS	⚠	CAST METAL DRUCKGUSS
2	1	REC. HOUSING BUCHSENGEHAUSE	BLACK SCHWARZ	PCT-GF
1	1	SHELL SCHIRMBLECH	SEE TABLE SIEHE TABELLE	STEEL STAHL

REV.	DATE	DESCRIPTION	BY	CHK
1	30NOV2004	LSCHLUESSER		
2	01DEC2004	M.SCHAARSCHEMIDT		
3	01DEC2004	E.FELDMEIER		

REV.	DATE	DESCRIPTION	BY	CHK
1	30NOV2004	LSCHLUESSER		
2	01DEC2004	M.SCHAARSCHEMIDT		
3	01DEC2004	E.FELDMEIER		

REV.	DATE	DESCRIPTION	BY	CHK
1	30NOV2004	LSCHLUESSER		
2	01DEC2004	M.SCHAARSCHEMIDT		
3	01DEC2004	E.FELDMEIER		

REV.	DATE	DESCRIPTION	BY	CHK
1	30NOV2004	LSCHLUESSER		
2	01DEC2004	M.SCHAARSCHEMIDT		
3	01DEC2004	E.FELDMEIER		

REV.	DATE	DESCRIPTION	BY	CHK
1	30NOV2004	LSCHLUESSER		
2	01DEC2004	M.SCHAARSCHEMIDT		
3	01DEC2004	E.FELDMEIER		

REV.	DATE	DESCRIPTION	BY	CHK
1	30NOV2004	LSCHLUESSER		
2	01DEC2004	M.SCHAARSCHEMIDT		
3	01DEC2004	E.FELDMEIER		

REV.	DATE	DESCRIPTION	BY	CHK
1	30NOV2004	LSCHLUESSER		
2	01DEC2004	M.SCHAARSCHEMIDT		
3	01DEC2004	E.FELDMEIER		

REV.	DATE	DESCRIPTION	BY	CHK
1	30NOV2004	LSCHLUESSER		
2	01DEC2004	M.SCHAARSCHEMIDT		
3	01DEC2004	E.FELDMEIER		

REV.	DATE	DESCRIPTION	BY	CHK
1	30NOV2004	LSCHLUESSER		
2	01DEC2004	M.SCHAARSCHEMIDT		
3	01DEC2004	E.FELDMEIER		

REV.	DATE	DESCRIPTION	BY	CHK
1	30NOV2004	LSCHLUESSER		
2	01DEC2004	M.SCHAARSCHEMIDT		
3	01DEC2004	E.FELDMEIER		

REV.	DATE	DESCRIPTION	BY	CHK
1	30NOV2004	LSCHLUESSER		
2	01DEC2004	M.SCHAARSCHEMIDT		
3	01DEC2004	E.FELDMEIER		

REV.	DATE	DESCRIPTION	BY	CHK
1	30NOV2004	LSCHLUESSER		
2	01DEC2004	M.SCHAARSCHEMIDT		
3	01DEC2004	E.FELDMEIER		

REV.	DATE	DESCRIPTION	BY	CHK
1	30NOV2004	LSCHLUESSER		
2	01DEC2004	M.SCHAARSCHEMIDT		
3	01DEC2004	E.FELDMEIER		

REV.	DATE	DESCRIPTION	BY	CHK
1	30NOV2004	LSCHLUESSER		
2	01DEC2004	M.SCHAARSCHEMIDT		
3	01DEC2004	E.FELDMEIER		

REV.	DATE	DESCRIPTION	BY	CHK
1	30NOV2004	LSCHLUESSER		
2	01DEC2004	M.SCHAARSCHEMIDT		
3	01DEC2004	E.FELDMEIER		

REV.	DATE	DESCRIPTION	BY	CHK
1	30NOV2004	LSCHLUESSER		
2	01DEC2004	M.SCHAARSCHEMIDT		
3	01DEC2004	E.FELDMEIER		

REV.	DATE	DESCRIPTION	BY	CHK
1	30NOV2004	LSCHLUESSER		
2	01DEC2004	M.SCHAARSCHEMIDT		
3	01DEC2004	E.FELDMEIER		

REV.	DATE	DESCRIPTION	BY	CHK
1	30NOV2004	LSCHLUESSER		
2	01DEC2004	M.SCHAARSCHEMIDT		
3	01DEC2004	E.FELDMEIER		

REV.	DATE	DESCRIPTION	BY	CHK
1	30NOV2004	LSCHLUESSER		
2	01DEC2004	M.SCHAARSCHEMIDT		
3	01DEC2004	E.FELDMEIER		

REV.	DATE	DESCRIPTION	BY	CHK
1	30NOV2004	LSCHLUESSER		
2	01DEC2004	M.SCHAARSCHEMIDT		
3	01DEC2004	E.FELDMEIER		

REV.	DATE	DESCRIPTION	BY	CHK
1	30NOV2004	LSCHLUESSER		
2	01DEC2004	M.SCHAARSCHEMIDT		
3	01DEC2004	E.FELDMEIER		

REV.	DATE	DESCRIPTION	BY	CHK
1	30NOV2004	LSCHLUESSER		
2	01DEC2004	M.SCHAARSCHEMIDT		
3	01DEC2004	E.FELDMEIER		

REV.	DATE	DESCRIPTION	BY	CHK
1	30NOV2004	LSCHLUESSER		
2	01DEC2004	M.SCHAARSCHEMIDT		
3	01DEC2004	E.FELDMEIER		

REV.	DATE	DESCRIPTION	BY	CHK
1	30NOV2004	LSCHLUESSER		
2	01DEC2004	M.SCHAARSCHEMIDT		
3	01DEC2004	E.FELDMEIER		

REV.	DATE	DESCRIPTION	BY	CHK
1	30NOV2004	LSCHLUESSER		
2	01DEC2004	M.SCHAARSCHEMIDT		
3	01DEC2004	E.FELDMEIER		

REV.	DATE	DESCRIPTION	BY	CHK
1	30NOV2004	LSCHLUESSER		
2	01DEC2004	M.SCHAARSCHEMIDT		
3	01DEC2004	E.FELDMEIER		

REV.	DATE	DESCRIPTION	BY	CHK
1	30NOV2004	LSCHLUESSER		
2	01DEC2004	M.SCHAARSCHEMIDT		
3	01DEC2004	E.FELDMEIER		

REV.	DATE	DESCRIPTION	BY	CHK
1	30NOV2004	LSCHLUESSER		
2	01DEC2004	M.SCHAARSCHEMIDT		
3	01DEC2004	E.FELDMEIER		

REV.	DATE	DESCRIPTION	BY	CHK
1	30NOV2004	LSCHLUESSER		
2	01DEC2004	M.SCHAARSCHEMIDT		
3	01DEC2004	E.FELDMEIER		

REV.	DATE	DESCRIPTION	BY	CHK
1	30NOV2004	LSCHLUESSER		
2	01DEC2004	M.SCHAARSCHEMIDT		
3	01DEC2004	E.FELDMEIER		

REV.	DATE	DESCRIPTION	BY	CHK
1	30NOV2004	LSCHLUESSER		
2	01DEC2004	M.SCHAARSCHEMIDT		
3	01DEC2004	E.FELDMEIER		

REV.	DATE	DESCRIPTION	BY	CHK
1	30NOV2004	LSCHLUESSER		
2	01DEC2004	M.SCHAARSCHEMIDT		
3	01DEC2004	E.FELDMEIER		

REV.	DATE	DESCRIPTION	BY	CHK
1	30NOV2004	LSCHLUESSER		
2	01DEC2004	M.SCHAARSCHEMIDT		
3	01DEC2004	E.FELDMEIER		

REV.	DATE	DESCRIPTION	BY	CHK
1	30NOV2004	LSCHLUESSER		
2	01DEC2004	M.SCHAARSCHEMIDT		
3	01DEC2004	E.FELDMEIER		

REV.	DATE	DESCRIPTION	BY	CHK
1	30NOV2004	LSCHLUESSER		
2	01DEC2004	M.SCHAARSCHEMIDT		
3	01DEC2004	E.FELDMEIER		

REV.	DATE	DESCRIPTION	BY	CHK
1	30NOV2004	LSCHLUESSER		
2	01DEC2004	M.SCHAARSCHEMIDT		
3	01DEC2004	E.FELDMEIER		

REV.	DATE	DESCRIPTION	BY	CHK
1	30NOV2004	LSCHLUESSER		
2	01DEC2004	M.SCHAARSCHEMIDT		
3	01DEC2004	E.FELDMEIER		

REV.	DATE	DESCRIPTION	BY	CHK
1	30NOV2004	LSCHLUESSER		
2	01DEC2004	M.SCHAARSCHEMIDT		
3	01DEC2004	E.FELDMEIER		

REV.	DATE	DESCRIPTION	BY	CHK
1	30NOV2004	LSCHLUESSER		
2	01DEC2004	M.SCHAARSCHEMIDT		
3	01DEC2004	E.FELDMEIER		

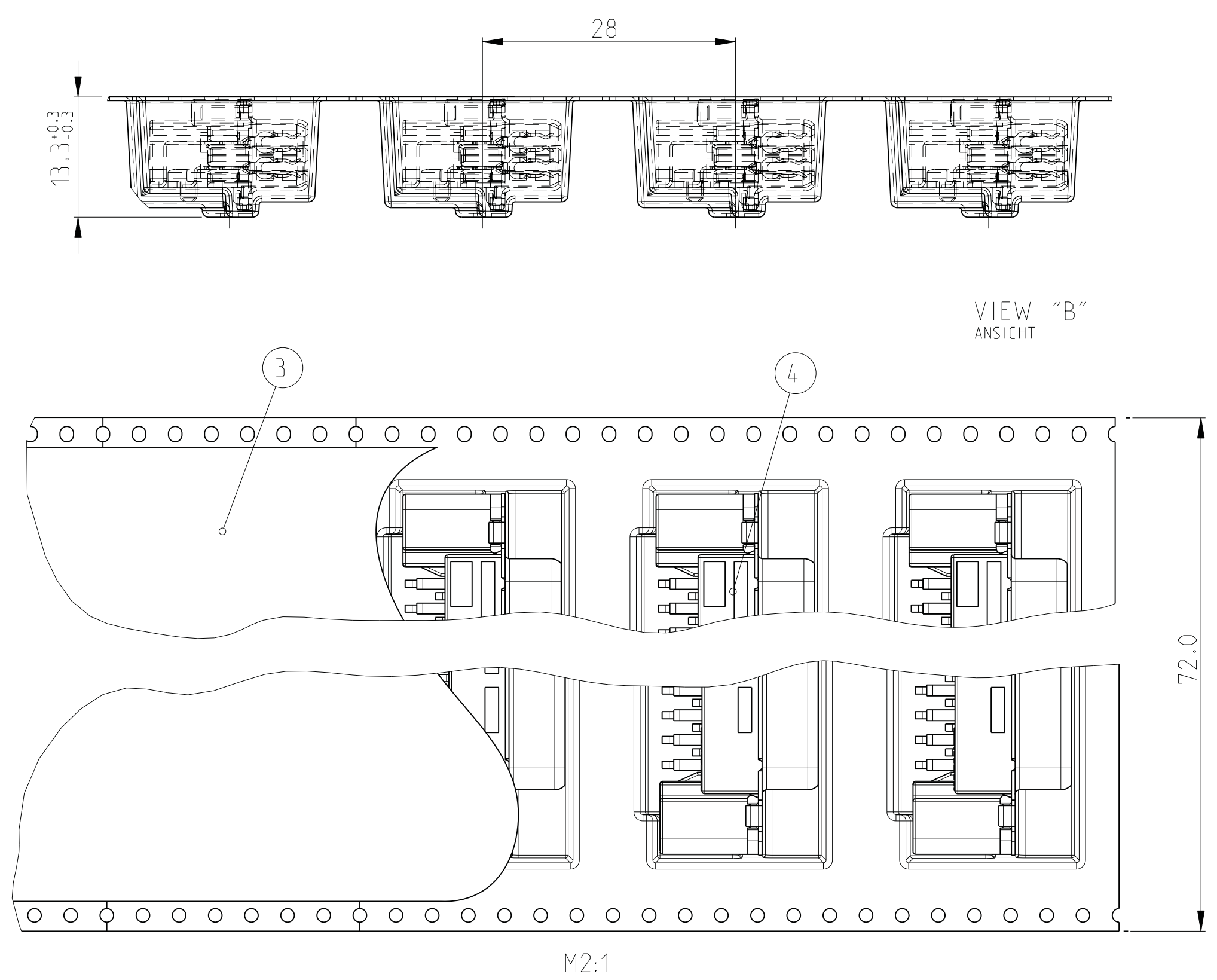
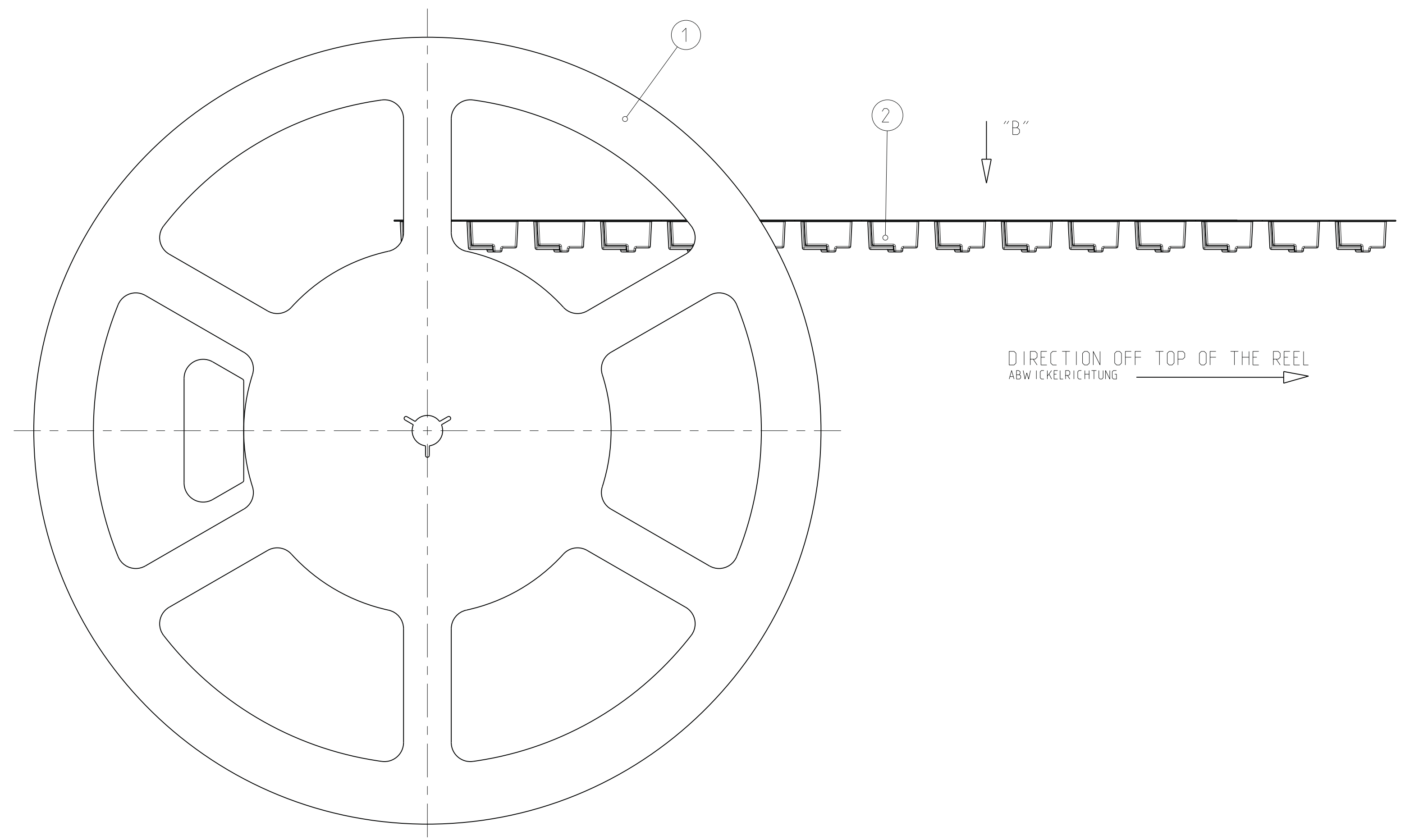
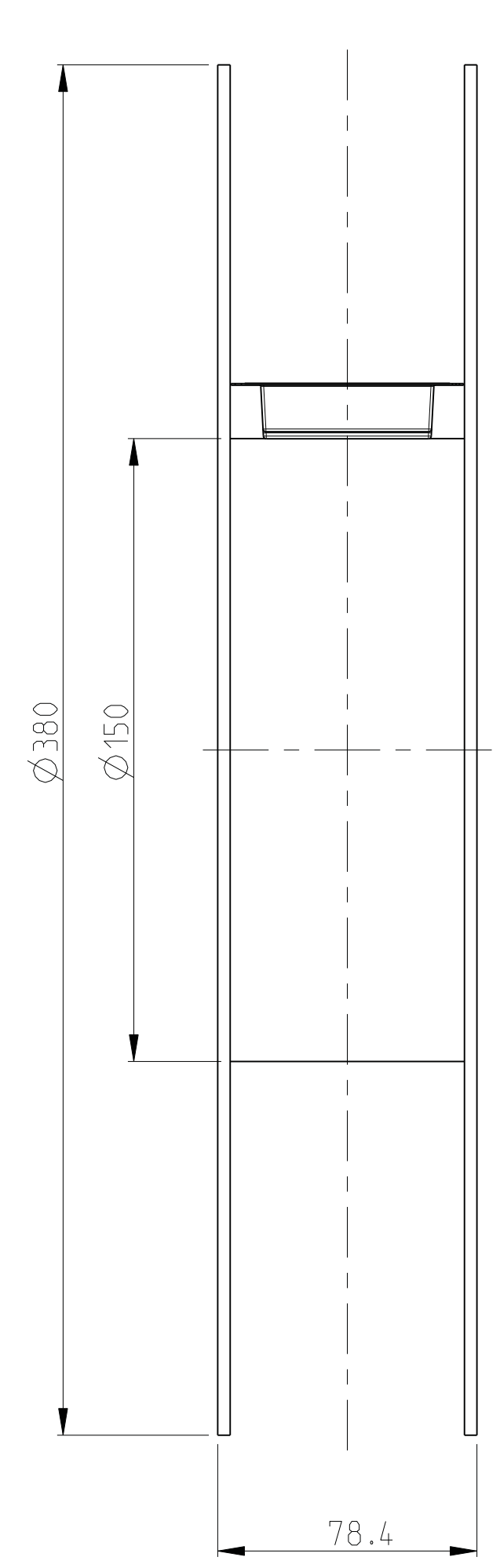
REV.	DATE	DESCRIPTION	BY	CHK
1	30NOV2004	LSCHLUESSER		
2	01DEC2004	M.SCHAARSCHEMIDT		
3	01DEC2004	E.FELDMEIER		

REV.	DATE	DESCRIPTION	BY	CHK
1	30NOV2004	LSCHLUESSER		
2	01DEC2004	M.SCHAARSCHEMIDT		
3	01DEC2004	E.FELDMEIER		

REV.	DATE	DESCRIPTION	BY	CHK
1	30NOV2004	LSCHLUESSER		
2	01DEC2004	M.SCHAARSCHEMIDT		
3	01DEC2004	E.FELDMEIER		

REV.

LOC	DIST	REV	DATE	BY	APPV
A1	-	-	-	-	-



REMARKS:

- COVER TAPE WITH BLISTER BELT WELDED OR PASTED
- BLISTER BELT, COVER AND TAPE ACC. TO DIN/IEC 286 PART 3
- FIRST AND LAST RUNNING OF THE CARRIER TAPE ACC. TO DIN/IEC 286 PART 3
- 6.4m BLISTERBELT AND 6.5m COVER TAPE, 200 LOOSE PIECE PARTS

BEMERKUNGEN:

- ABDECKBAND MIT BLISTERGURT VERSCHWEISST ODER VERKLEBT
- BLISTERGURT, ABDECKBAND UND REEL NACH DIN/IEC 286 TEIL 3
- VOR- UND NACHLAUF AM BLISTERGURT NACH DIN/IEC 286 TEIL 3
- 6.4m BLISTERGURT UND 6.5m ABDECKBAND, 200 EINZELTEILE

TE ORDER NO. BESTELL-NR.	POS.	QUANTITY						DESCRIPTION BENENNUNG	SURFACE OBERFLAECHE COLOUR/FARBE	MATERIAL
		4-1740198-2	3-1740198-2	2-1740198-2	1-1740198-2	0-1740198-2	4-1740198-5			
1740198	4	200	-	-	-	-	-	SUB-D REC. HEADER, 25 POS., STUD M3	-	-
	4	-	200	-	-	-	-	SUB-D REC. HEADER, 25 POS., STUD UNC4-40	-	-
	4	-	-	200	-	-	-	SUB-D REC. HEADER, 25 POS., M3	-	-
	4	-	-	-	200	-	-	SUB-D REC. HEADER, 25 POS., UNC4-40	-	-
	4	-	-	-	-	200	-	SUB-D REC. HEADER, 25 POS.	-	-
	3	6.5m	6.5m	6.5m	6.5m	6.5m	6.5m	COVER BELT FOR BLISTER BELT	TRANSPARENT	PET
	2	6.4m	6.4m	6.4m	6.4m	6.4m	6.4m	BLISTER BELT	GREY/BLACK	PS
1	1	1	1	1	1	1	REEL-PACKING	GREY	PS	

DIMENSIONS: mm 	TOLERANCES UNLESS OTHERWISE SPECIFIED: 0 PLC ± 1 PLC ± 2 PLC ± 3 PLC ± 4 PLC ± ANGLES ±	DWG: L. SCHLUETER 30NOV2004 CHK: M. SCHAARSCHMIDT 01DEC2004 APPV: G. FELDMEIER 01DEC2004 NAME: HDP20 REC. HEADER, SMT, 25 POS. EUROSTYLE PRODUCT SPEC: 108-94000 APPLICATION SPEC: - WEIGHT: - CUSTOMER DRAWING: -	Tyco Electronics AMP GmbH 64625 Bensheim (Germany) SCALE: 5:1 SHEET: 2 OF 2 REV: E
-----------------------	---	---	--