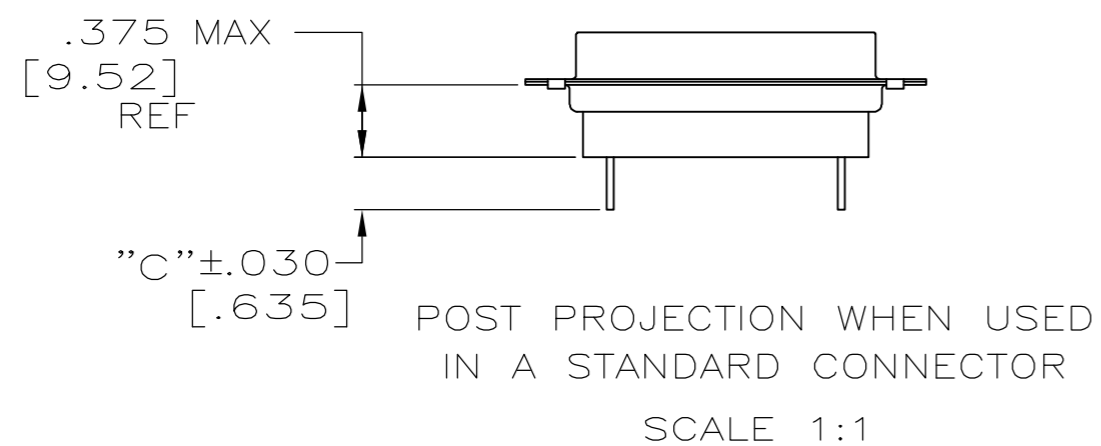
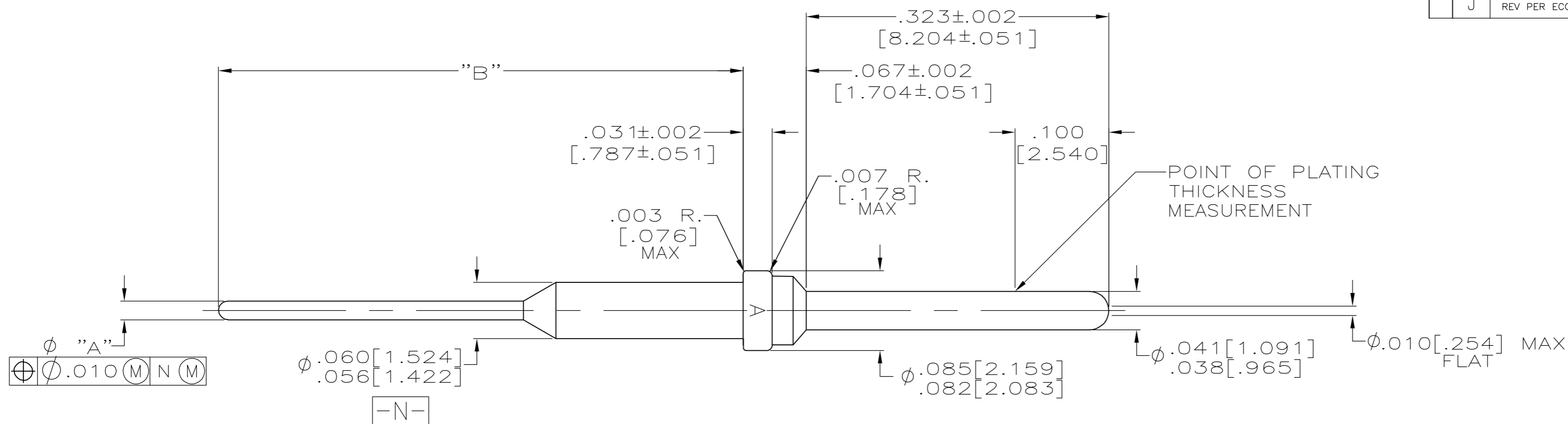


THIS DRAWING IS UNPUBLISHED. RELEASED FOR PUBLICATION
 © COPYRIGHT BY TYCO ELECTRONICS CORPORATION. ALL RIGHTS RESERVED.

LOC	DIST	REVISIONS					
DF	DO	P	LTR	DESCRIPTION	DATE	DWN	APVD
		J		REV PER ECO 07-009536	26APR07	PY	ND



PRELIMINARY- NOT RELEASED FOR PRODUCTION	.330 [8.38]	.560 [14.224]	.020/.016 [508/.406]	2-212565-3
PRELIMINARY- NOT RELEASED FOR PRODUCTION	.330 [8.38]	.560 [14.224]	.0192/.0155 [4877/.3937]	2-212565-2
PRELIMINARY- NOT RELEASED FOR PRODUCTION	.470 [11.94]	.700 [17.78]	.020/.016 [508/.406]	2-212565-1

OBSOLETE	.330 [8.38]	.560 [14.224]	.020/.016 [508/.406]	1-212565-0
OBSOLETE	.161 [4.089]	.446 [11.328]	.042/.038 [1067/.965]	212565-9
OBSOLETE	.161 [4.089]	.446 [11.328]	.032/.028 [813/.7112]	212565-8
OBSOLETE	.161 [4.089]	.446 [11.328]	.026/.022 [660/.559]	212565-7
OBSOLETE	.130 [3.302]	.415 [10.541]	.042/.038 [1067/.965]	212565-6
OBSOLETE	.130 [3.302]	.415 [10.541]	.032/.028 [813/.7112]	212565-5
OBSOLETE	.130 [3.302]	.415 [10.541]	.026/.022 [660/.559]	212565-4
OBSOLETE	.098 [2.489]	.383 [9.728]	.042/.038 [1067/.965]	212565-3
OBSOLETE	.098 [2.489]	.383 [9.728]	.032/.028 [813/.7112]	212565-2
OBSOLETE	.098 [2.489]	.383 [9.728]	.026/.022 [660/.559]	212565-1
	DIM C	DIM B	DIM A	PART NUMBER

- 1 CONTACT BODY MAT'L: LEADED NICKEL COPPER (PROPRIETARY) EQUIVALENT ALTERNATE MAT'L: COPPER ALLOY PER ASTM-B-197
- 2 FINISH: PLATED GOLD PER MIL-G-45204 TYPE II, GRADE C CLASS 1 OVER COPPER PER MIL-C-14550, CLASS IV.
- 3. FOR USE IN P.C. BOARD.
- 4. CONTACT CAN BE USED IN ANY STANDARD HD-20 PLUG CONNECTOR.
- 5. INSERTION/EXTRACTION TOOL AMP P/N 91067-2.
- 6. CONTACTS MEET ALL APPLICABLE PERFORMANCE REQUIREMENTS OF MIL-C-39029.

THIS DRAWING IS A CONTROLLED DOCUMENT.

DIMENSIONS: INCHES	TOLERANCES UNLESS OTHERWISE SPECIFIED:	DWN T. ALEXANDER 11-12-91	Tyco Electronics Corporation Harrisburg, PA 17105-3608
	0 PLC ± -	CHK F. KINSEY 11-18-91	
	1 PLC ± -	APVD F. KINSEY 11-18-91	
	2 PLC ± -	PRODUCT SPEC	
MATERIAL	FINISH	APPLICATION SPEC	NAME POSTED PIN, AMPLIMITE, SIZE 20
		WEIGHT	SIZE A2 CAGE CODE 00779 DRAWING NO C=212565 RESTRICTED TO
		CUSTOMER DRAWING	SCALE 10:1 SHEET 1 of 1 REV J