

User's Guide

C-25-0104

VFD

(Vacuum Fluorescent Character Display Module)

For product support, contact

New haven Display International
2511 Technology Drive #101
Elgin , IL 601 24
Tel: (847) 8 44-8795 Fax: (847) 8 44-8796

October 31, 2006

Vacuum Fluorescent Display Specification

PART NUMBER: **C-25-0104**


FEATURES: 2 Digits – Seven Segmented

APPLICATION: Automotive- Temp Control- HVac

RATINGS: Below

Outer Dimensions	Panel Length	P.L.	100.0	mm	
	Panel Height	P.H.	25.0	mm	
	Panel Thickness	P.T.	6.1	mm	
Leads	Lead Pitch	L.P.	2.54	mm	
	Lead Out	-	DIL		
Character Size	Character Height	C.H.	-	mm	
	Character Width	C.W.	-	mm	
Item	Symbol	Min.	Recommended	Max.	Unit
Filament Voltage	Ef	2.88	3.20	3.52	Vdc
Peak Grid Voltage	ec	10.5	12.5	15.0	Vdc
Peak Anode Voltage	eb	10.5	12.5	15.0	Vdc
Duty Cycle	Du	-	-	-	-
Pulse Width	tp	-	-	-	-
Operating Temperature	Top	-40	-	+ 80	C
Storage Temperature	Tstg	-55	-	+ 85	C
Color of Illumination	Green				

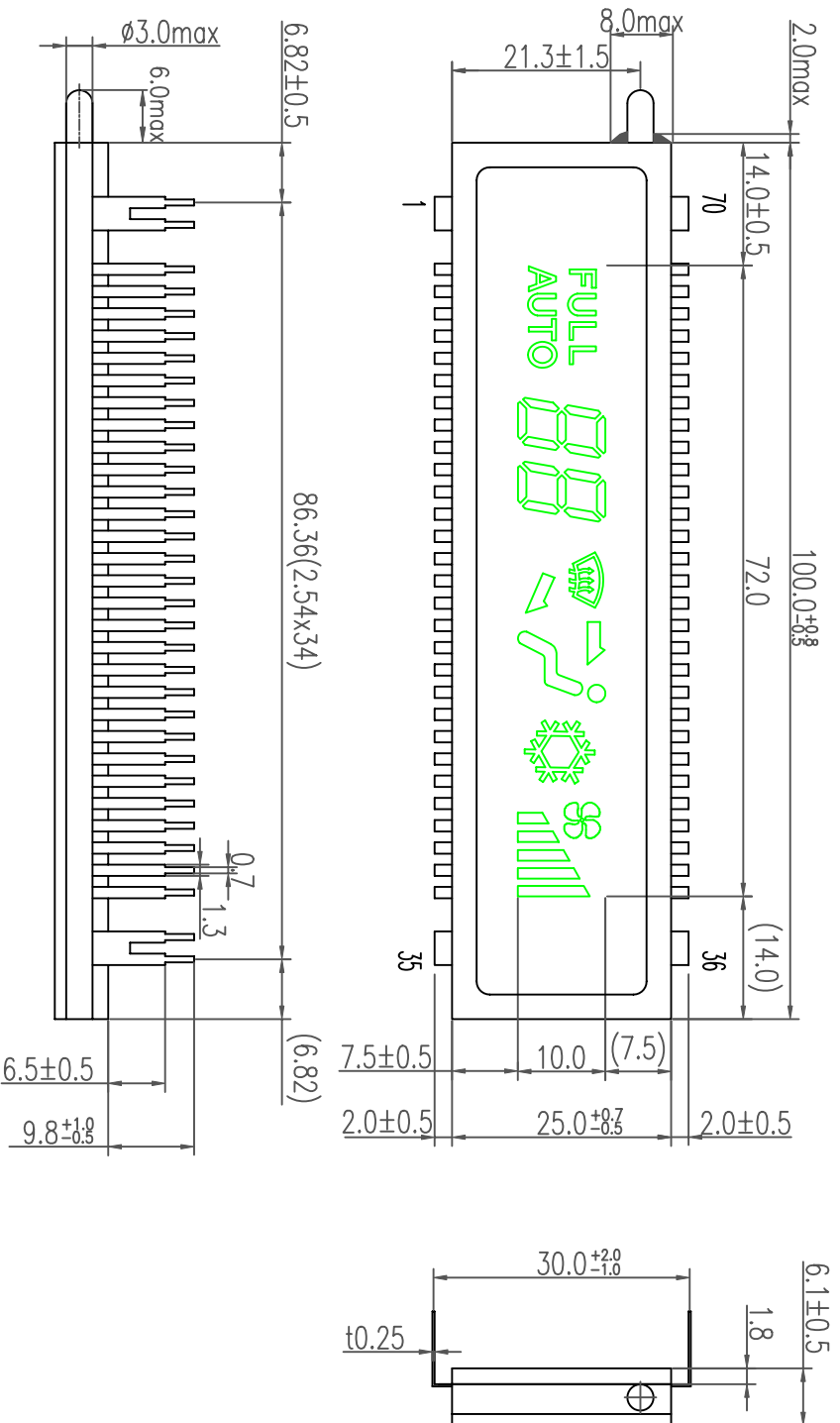
**Electrical
Characteristics**

Item	Symbol	Test Condition	Min.	Typical	Max.	Unit
Filament Current	If -	Ef = 3.2 Vdc eb = ec = 0	167.0 -	185.0 -	204.0 -	mAdc -
Anode Current	ib / S4,S5,S8, B1~B5 ib/ S1,S2,S3, S6,S7 ib/  - -	Ef = 3.2 Vdc eb = 12.5 Vdc ec = 12.5 Vdc	-	.85	1.5	mAdc
			-	1.7	2.9	mAdc
			-	1.8	3.0	mAdc
			-	-	-	-
			-	-	-	-
Grid Current	ic /G - - - -		-	26.0	45.0	mAdc
			-	-	-	-
			-	-	-	-
			-	-	-	-
			-	-	-	-
Luminance	L(G) - -		1450 (423)	2900 (846)	-	cd/m ² /fL
			-	-	-	cd/m ² /fL
			-	-	-	cd/m ² /fL
Luminance Ratio	Lmin/Lmax		50	-	-	%
Grid Cut-off Voltage	Ecco	Ef = 3.2 Vdc Eb =12.5 Vdc	-0	-	-	Vdc
Anode Cut-off Voltage	Ebco	Ef = 3.2 Vdc ec = 12.5 Vdc	-0	-	-	Vdc

DRIVE MODE: Dynamic State

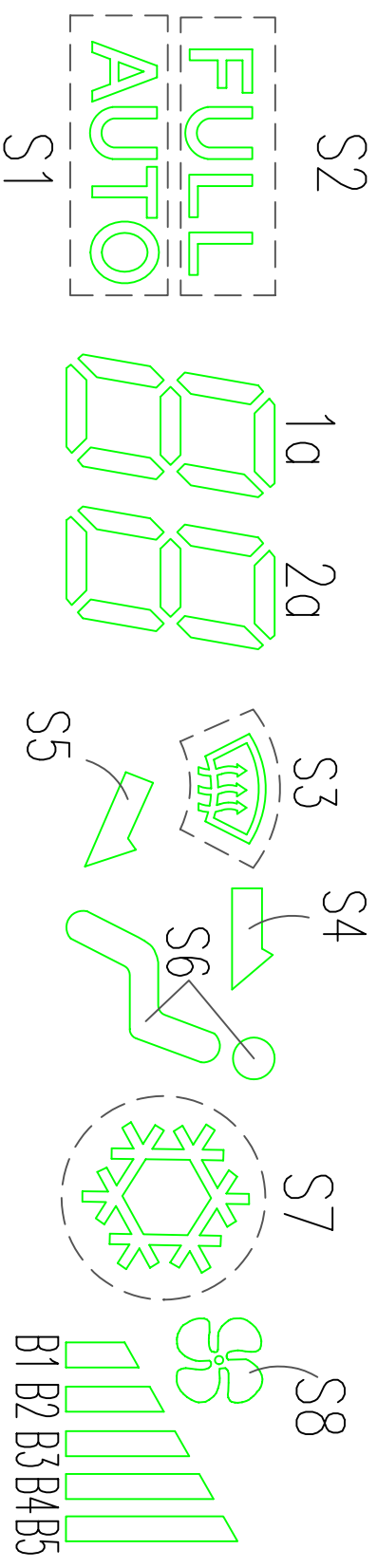
附图 1：外形图 Outline Drawing (Unit:mm)

型号 Type No.: VFD25-0104



注 F: 灯丝 (Filament) G: 栅极 (Grid) NP: 无引脚 (No Pin) NC: 无连接 (No Connection)
IC: (Internal connection)

附图2: 显示内容 Display Pattern



显示颜色: (color of illumination)

绿色 (Green):(x=0.250,y=0.440) 全部 All the patterns

